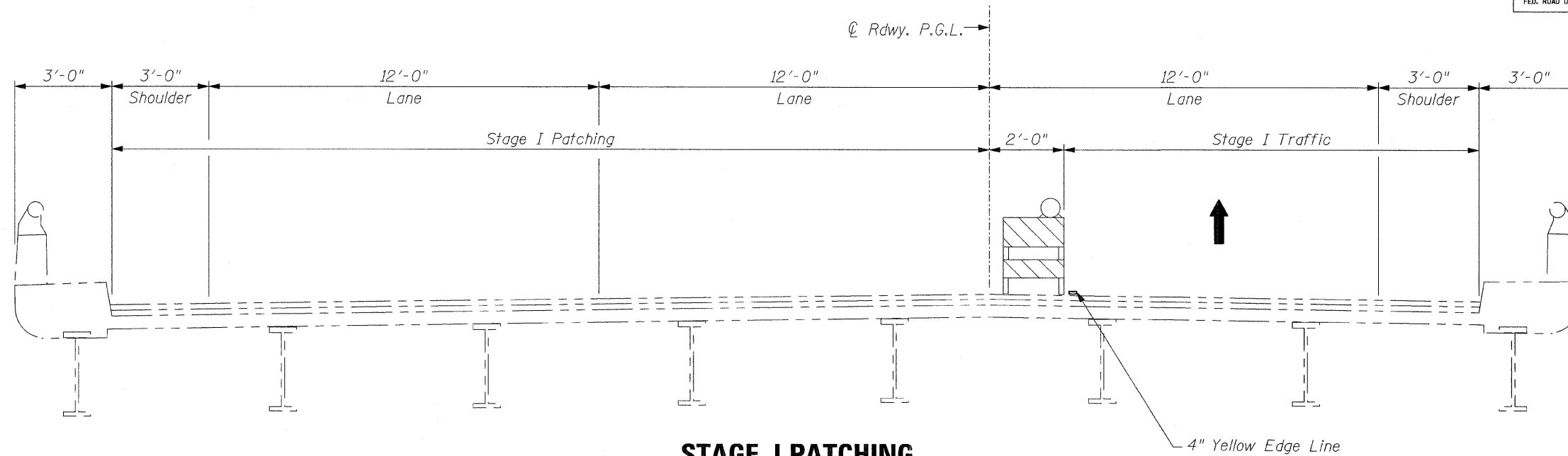


F.A.P. RTE.	SECTION	COUNTY	TOTAL SHEETS	SHEET NO.
373	0707-608 HB-I-4	COOK	40	22
STA.		TO STA.		
FED. ROAD DIST. NO.		ILLINOIS	FED. AID PROJECT	

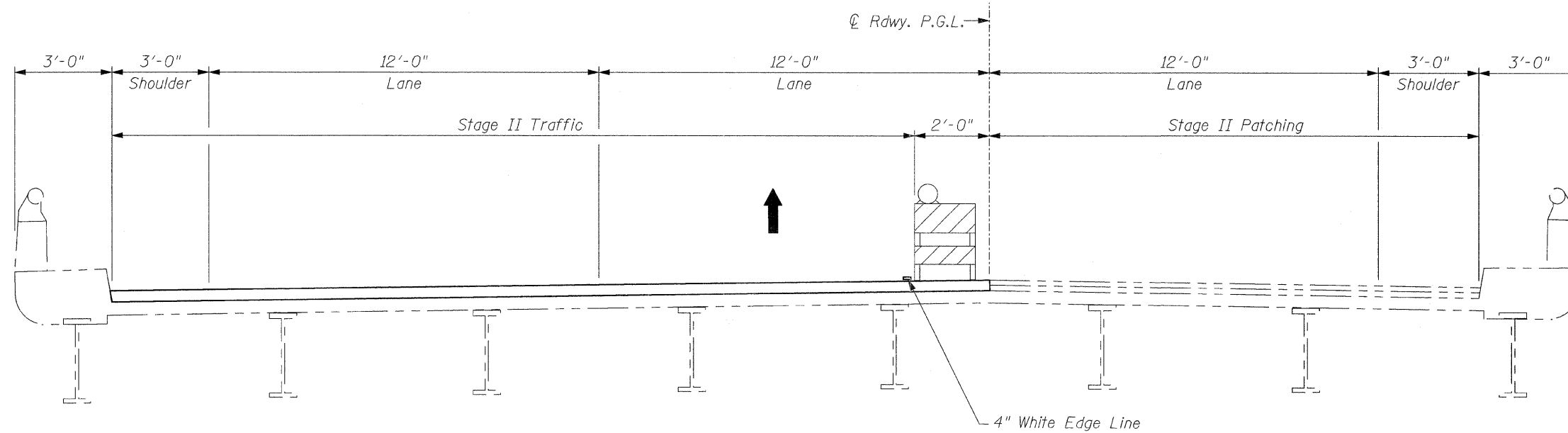
**CONTRACT NO. 60C94**



**STAGE I PATCHING**

**EXISTING DECK CROSS SECTION**

(Looking Upstation - Eastbound)



**STAGE II PATCHING**

**EXISTING DECK CROSS SECTION**

(Looking Upstation - Eastbound)

REVISIONS	
NAME	DATE

ILLINOIS DEPARTMENT OF TRANSPORTATION  
 DECK CROSS SECTION  
 1ST AVE. (IL. RTE. 171)  
 OVER  
 G.M. & O. RAILROAD  
 F.A.P. RTE. 373 SECTION: 0707-608 HB-I-4  
 COOK COUNTY STATION 22+90.24  
 STRUCTURE NO. 016-0488  
 SCALE: NONE DRAWN BY: D.L./F.M.  
 DATE: DECEMBER 8, 2008 CHECKED BY: B.N.S./J.C.N.  
**CHRISTIAN-ROGE & ASSOC., INC.**  
 CHICAGO ILLINOIS