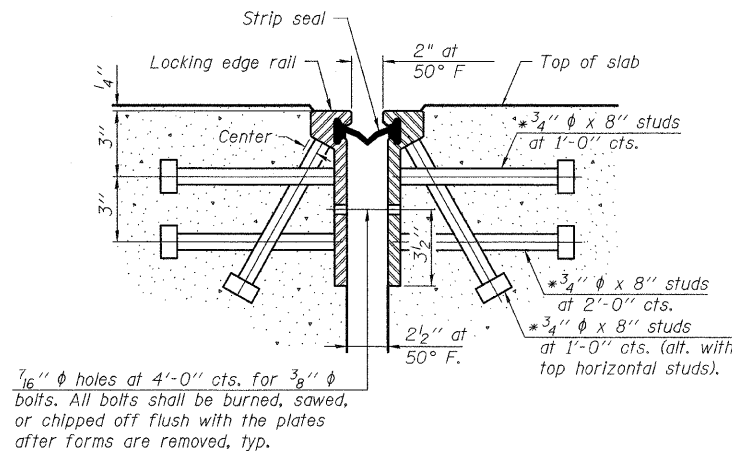


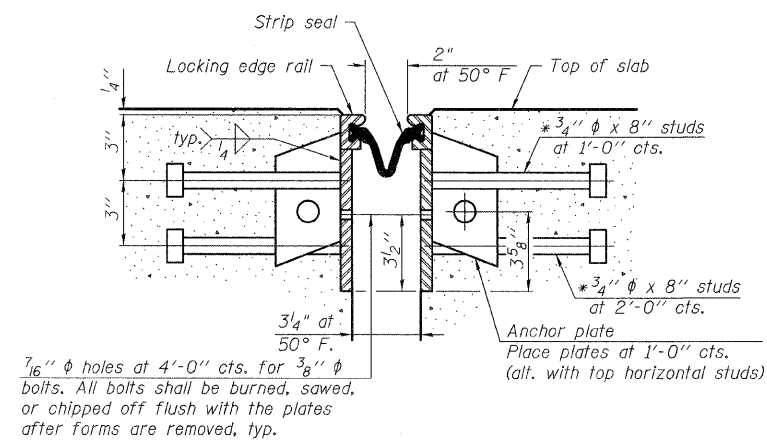
F.A.P. RTE.	SECTION	COUNTY	TOTAL SHEETS	SHEET NO.
373	0707-608 HB-I-4	COOK	40	37
STA.		TO STA.		
FED. ROAD DIST. NO.		ILLINOIS	FED. AID PROJECT	

**CONTRACT NO. 60C94**

\* Granular or solid flux filled headed studs conforming to Article 1006.32 of the Std. Specs., automatically end welded.



**SECTION THRU  
ROLLED RAIL JOINT**



**SECTION THRU  
WELDED RAIL JOINT**

**NOTES:**

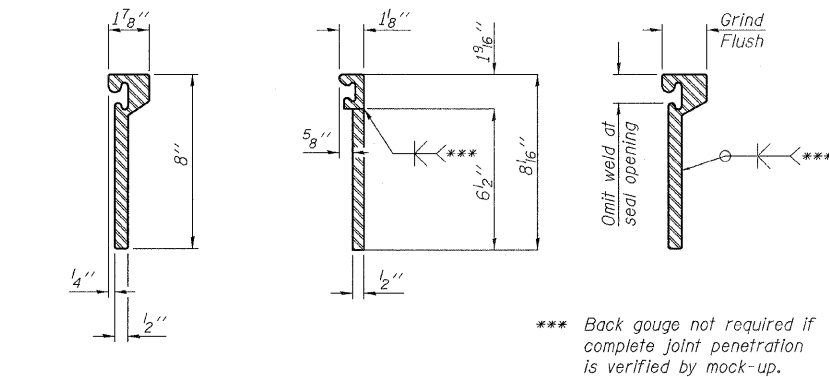
The strip seal shall be made continuous and shall have a minimum thickness of 1/4". The configuration of the strip seal shall match the configuration of the Locking Edge Rails. Open or "webbed" strip seal gland configurations are not permitted. The gland shall be sized for a maximum rated movement of 4 inches.

The height and thickness of the Locking Edge Rails shown are minimum dimensions. The actual configuration of the Locking Edge Rails and matching strip seal may vary from manufacturer to manufacturer. Flanged edge rails will not be allowed. Locking Edge Rails may be spliced at slope discontinuities and stage construction joints.

The manufacturer's recommended installation methods shall be followed.

The joint opening and deck dimensions detailed on the superstructure are based on a rolled rail expansion joint. If the Contractor elects to use the welded rail expansion joint, the opening and deck dimensions shall be modified according to the dimensions detailed on this sheet. Required modifications shall be made at no additional cost to the State.

All steel components shall be galvanized after fabrication according to Article 520.03 of the Standard Specifications.



\*\*\* Back gouge not required if complete joint penetration is verified by mock-up.

**ROLLED  
(EXTRUDED) RAIL    WELDED RAIL**

**LOCKING EDGE  
RAIL SPLICE**

The inside of the locking edge rail groove shall be free of weld residue.

**LOCKING EDGE RAILS**

**BILL OF MATERIAL**

Item	Unit	Total
Preformed Joint Strip Seal	Foot	35

REVISIONS	
NAME	DATE

ILLINOIS DEPARTMENT OF TRANSPORTATION  
 PREFORMED STRIP SEAL JOINT  
 IL. RTE. 171  
 OVER  
 CHICAGO SANITARY AND SHIP CANAL  
 F.A.P. RTE. 373 SECTION: 0707-608 HB-I-4  
 COOK COUNTY STATION 58+29.83  
 S.N. 016-2457 & S.N. 016-2456  
 SCALE: NONE      DRAWN BY: D.L./F.M.  
 DATE: DECEMBER 8, 2008      CHECKED BY: B.N.S./J.C.N.  
**CHRISTIAN-ROGE & ASSOC., INC.**  
 CHICAGO      ILLINOIS