

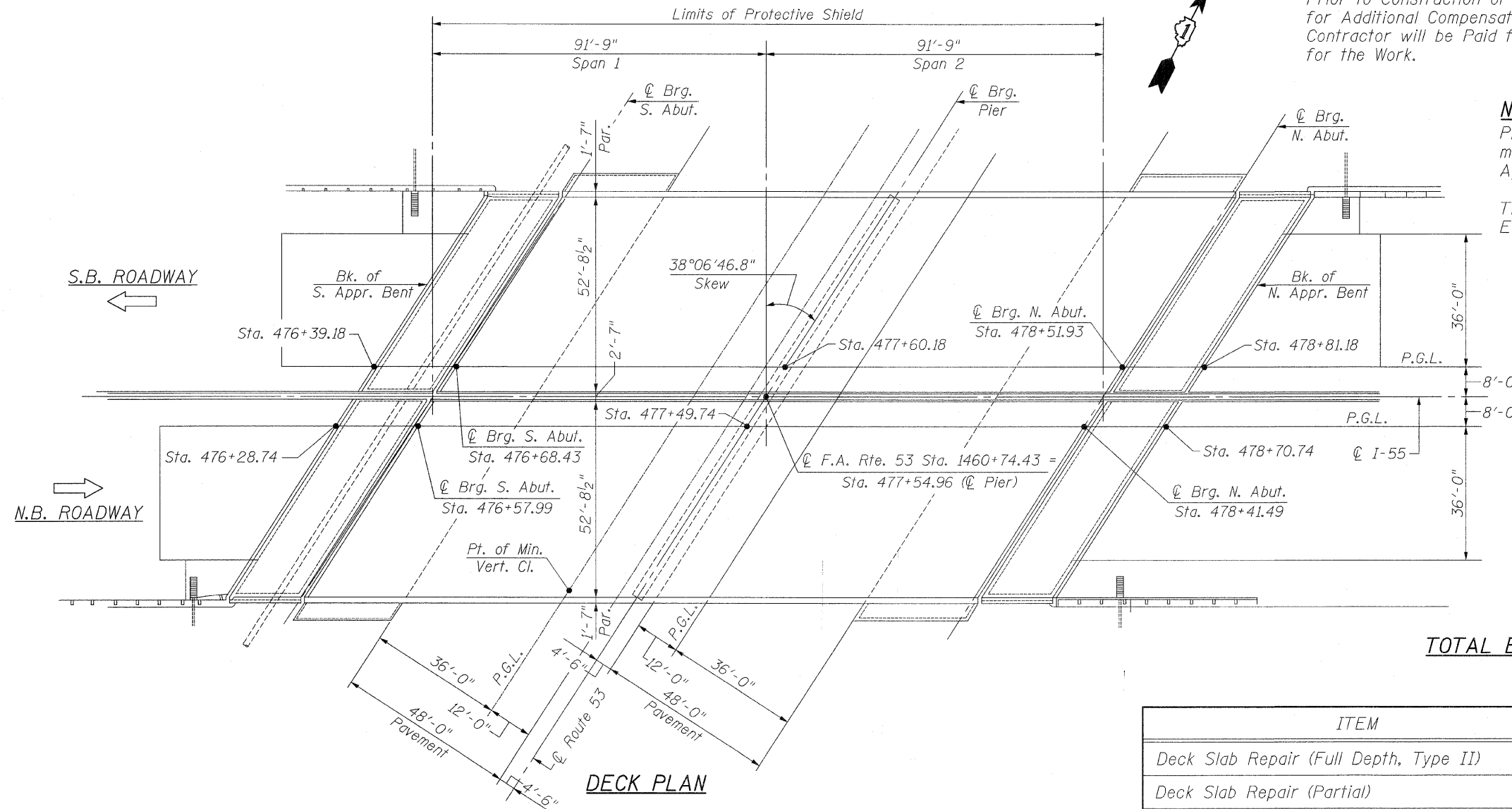
**GENERAL NOTE:**

Plan Dimensions and Details Relative to Existing Plans are Subject to Nominal Construction Variations. The Contractor shall Field Verify Existing Dimensions and Details Affecting new Construction and Make Necessary Approved Adjustments Prior to Construction or Ordering of Materials. Such Variations shall not be Cause for Additional Compensation for a Change in Scope of the Work, However, the Contractor will be Paid for the Quantity Actually Furnished at the Unit Price Bid for the Work.

**NOTES:**

Prior to Installation of the Protective Shield the Contractor must Submit Detailed Shop Drawings to the Engineer for Approval.

The Protective Shield must not Damage or Block the Existing Lighting under the Bridge.

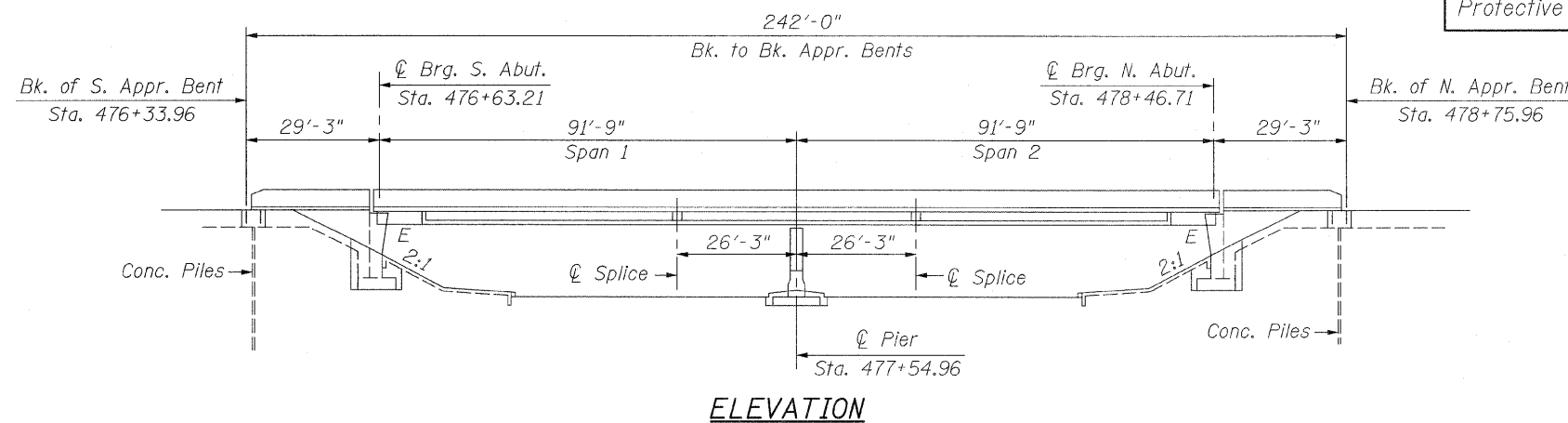


**S.N. 099-0261**  
(Southbound)

**S.N. 099-0260**  
(Northbound)

**TOTAL BILL OF MATERIAL**

ITEM	UNIT	S.N. 099-0260	S.N. 099-0261
Deck Slab Repair (Full Depth, Type II)	Sq. Yd.	38	16
Deck Slab Repair (Partial)	Sq. Yd.	128	88
Protective Shield	Sq. Yd.	1,030	1,030



FILE NAME = plan.elevation.dgn	USER NAME = IDOT	DESIGNED - B.N.S.	REVISED <sup>1</sup> 02-06-07 Addendum 1
		DRAWN - F.M.	REVISED -
		CHECKED - B.N.S./J.C.N.	REVISED -
		DATE - DECEMBER, 2008	REVISED -

STATE OF ILLINOIS  
DEPARTMENT OF TRANSPORTATION

GENERAL PLAN & ELEVATION  
I-55 OVER ILL. RTE. 53

S.N. 099-0260 / 0261

SCALE: SHEET NO. S1 OF S4 SHEETS STA. TO STA.

F.A.P. RTE. 55	SECTION 2008-028 BR	COUNTY WILL	TOTAL SHEETS 29	SHEET NO. 18
FED. ROAD DIST. NO. 1 ILLINOIS FED. AID PROJECT				CONTRACT NO. 60E59



CHRISTIAN-ROGE & ASSOCIATES, INC.  
ENGINEERS - PLANNERS - SURVEYORS  
211 W. WACKER DRIVE CHICAGO, IL. 60606  
PHONE: (312)372-2023 FAX: (312)372-5274