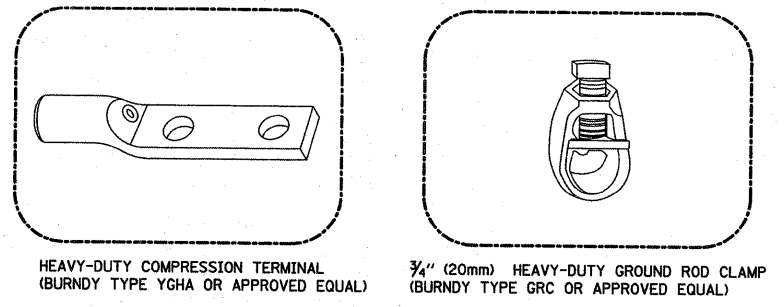
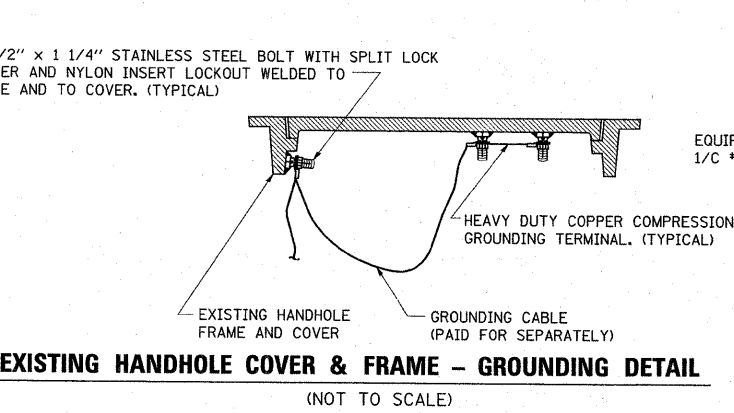
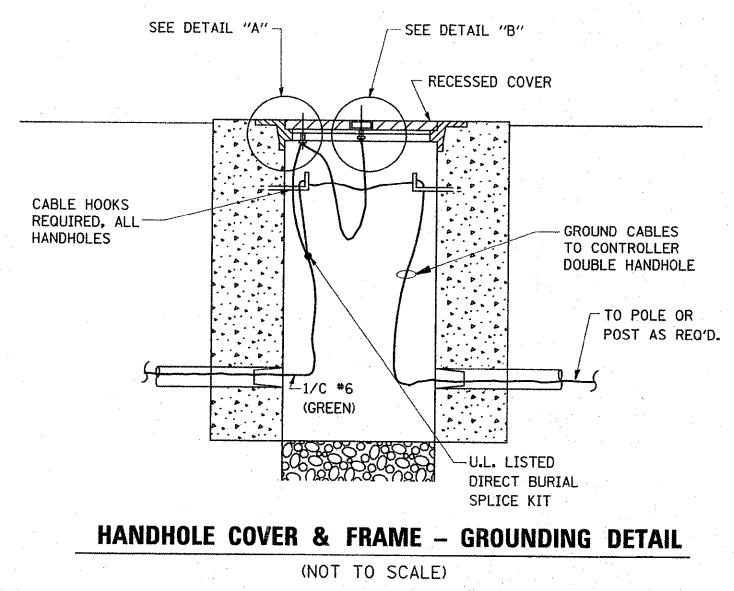
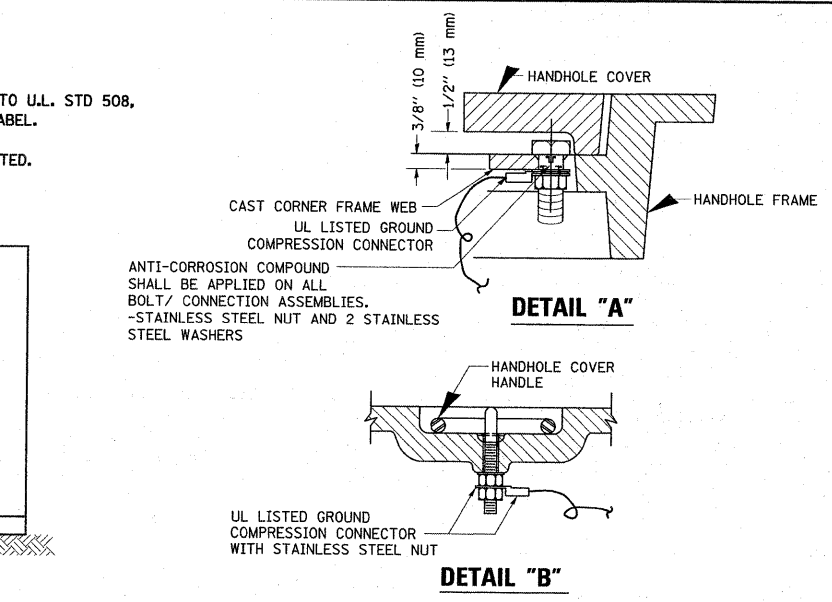
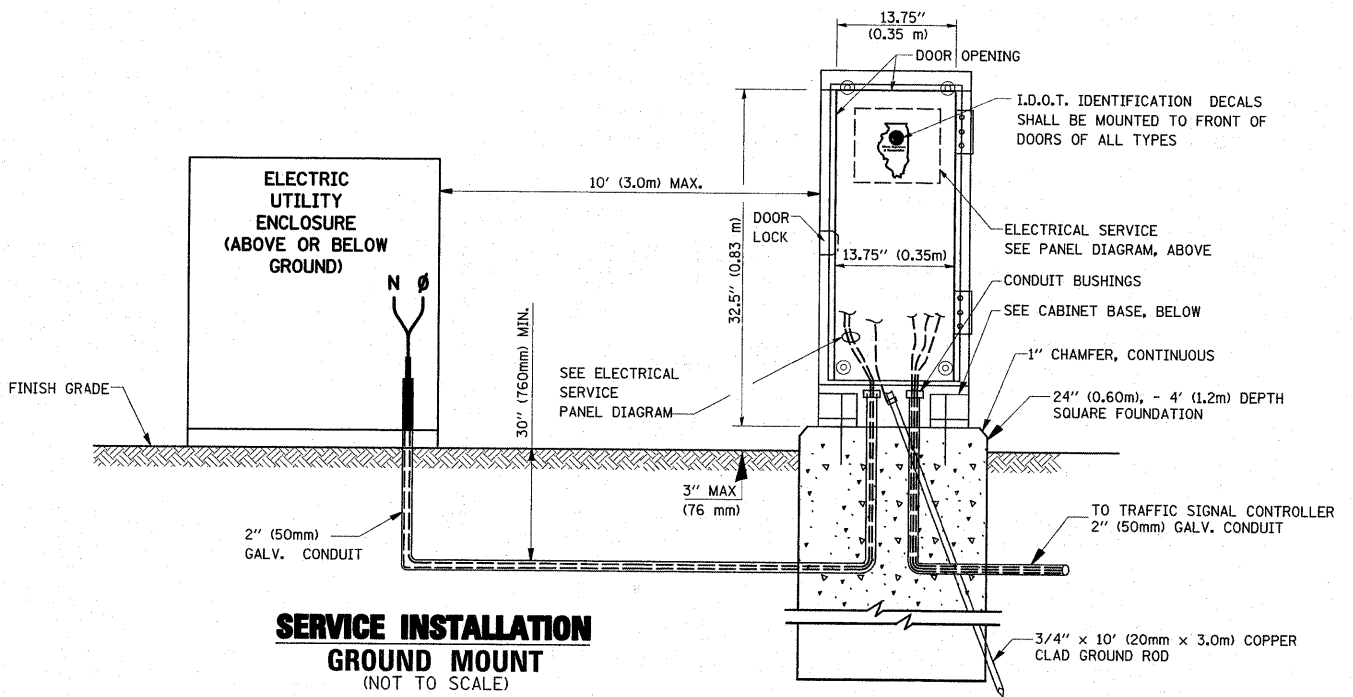
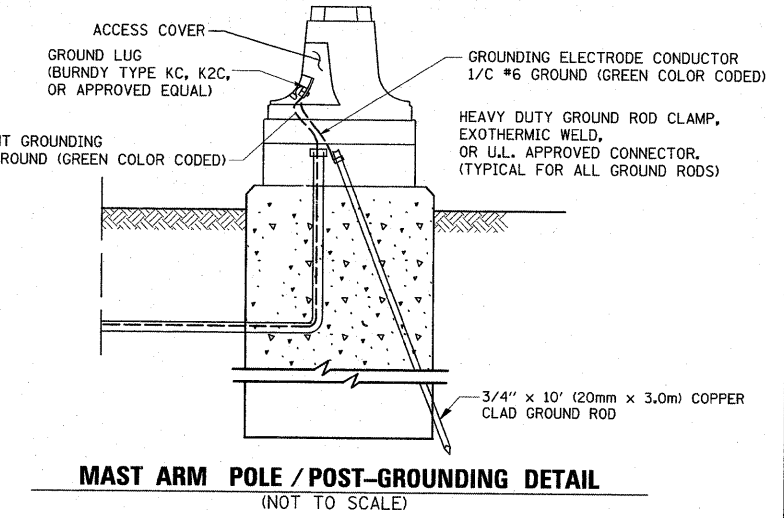


ELECTRICAL SERVICE - PANEL DIAGRAM (TYPICAL FOR POLE AND GROUND MOUNTED SERVICE)
SERVICE INSTALLATION POLE MOUNT (SHOWN)
 (NOT TO SCALE)



NOTES:

- ALL CLAMPS SHALL BE BRONZE OR COPPER, UL APPROVED.
- GROUND CABLE SHALL BE LOOPED OVER HOOKS IN THE HANDHOLES
- 6.5' (2.0m) SLACK SHALL BE PROVIDED IN SINGLE HANDHOLES
- 13' (4.0m) OF SLACK SHALL BE PROVIDED IN DOUBLE HANDHOLES.
- 5' (1.4m) OF SLACK SHALL BE PROVIDED BETWEEN FRAME AND COVER.



FILE NAME =	USER NAME = kanthphixaybc	DESIGNED -	REVISED -	STATE OF ILLINOIS DEPARTMENT OF TRANSPORTATION	DISTRICT 1 STANDARD TRAFFIC SIGNAL DESIGN DETAILS	F.A.U. RTE.	SECTION	COUNTY	TOTAL SHEETS	SHEET NO.
c:\pwork\pwork\kanthphixaybc\dms92381	1\1061A002.DGN	DRAWN -	REVISED -			1453	2008-079 TS	COOK	4	4
	PLOT SCALE = 49.9999' / IN.	CHECKED -	REVISED -			CONTRACT NO. 60F81				
	PLOT DATE = 12/9/2008	DATE -	REVISED -			FED. ROAD DIST. NO. ILLINOIS FED. AID PROJECT				