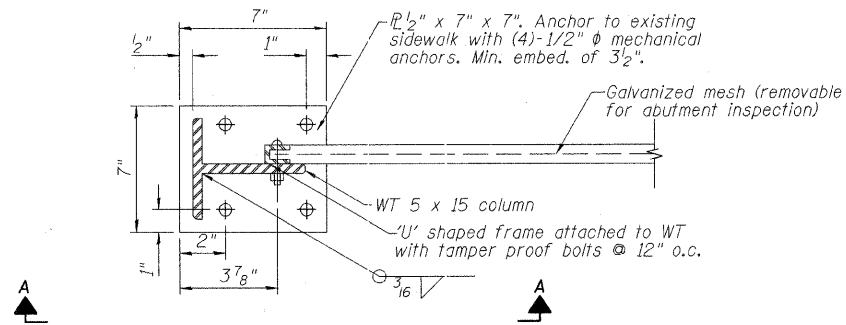
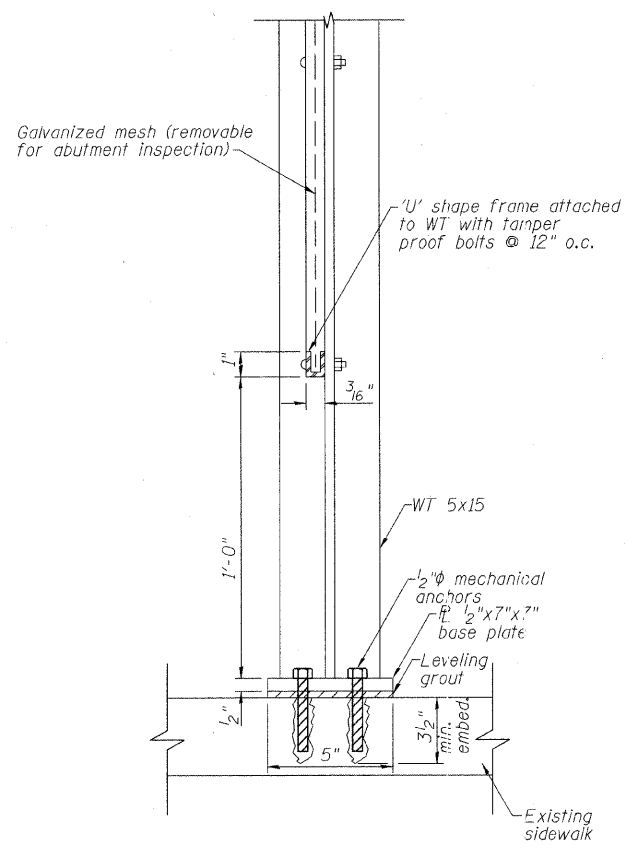


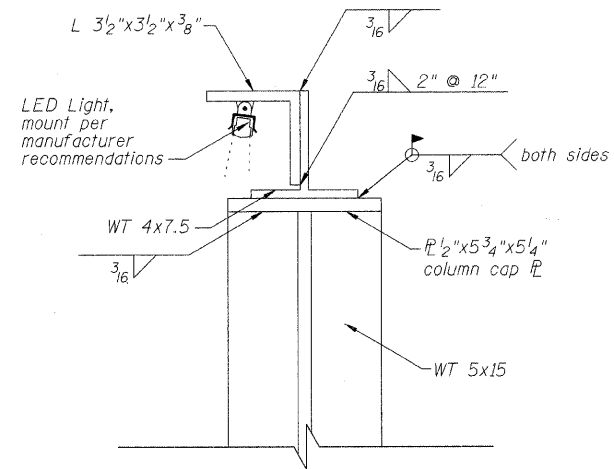
STATE OF ILLINOIS
DEPARTMENT OF TRANSPORTATION



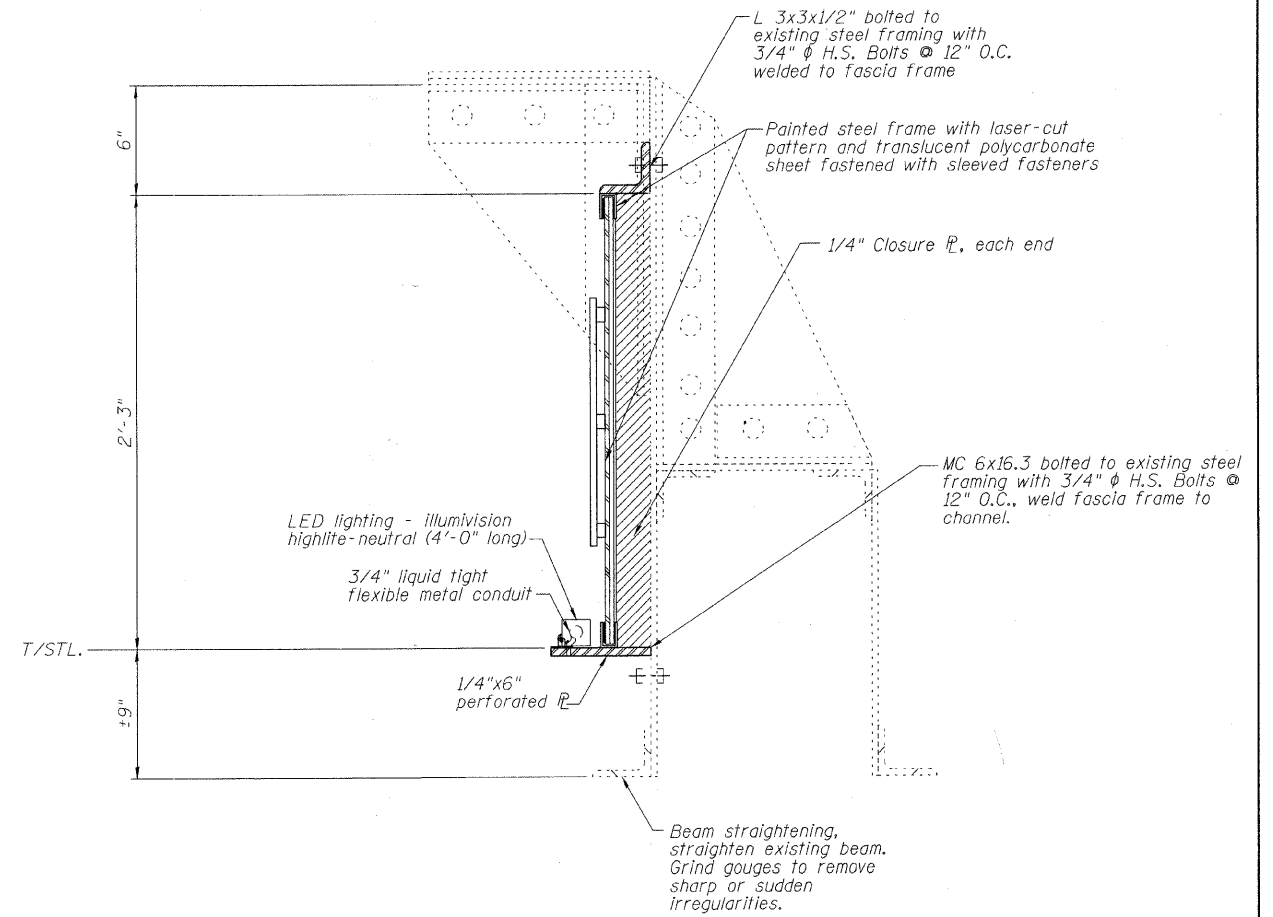
PLAN DETAIL AT BASE



SECTION A-A AT ORNAMENTAL METAL PANEL



ORNAMENTAL METAL PANEL SECTION AT TOP



GATEWAY MONUMENT SIGN COMPLETE DETAIL

DESIGNED -	200
CHECKED -	EXAMINED
DRAWN -	PASSED
CHECKED -	

ENGINEER OF BRIDGE DESIGN
ENGINEER OF BRIDGES AND STRUCTURES

STRUCTURAL DETAILS

STRAND ASSOCIATES, INC.

SHEET SI-1

SHEET NO.	F.A. RTE.	SECTION	COUNTY	TOTAL SHEETS	SHEET NO.
2775		06-00243-00-BR	Cook	14	11
SHEETS			CONTRACT NO. 63091		
FED. ROAD DIST. NO. _ ILLINOIS FED. AID PROJECT					