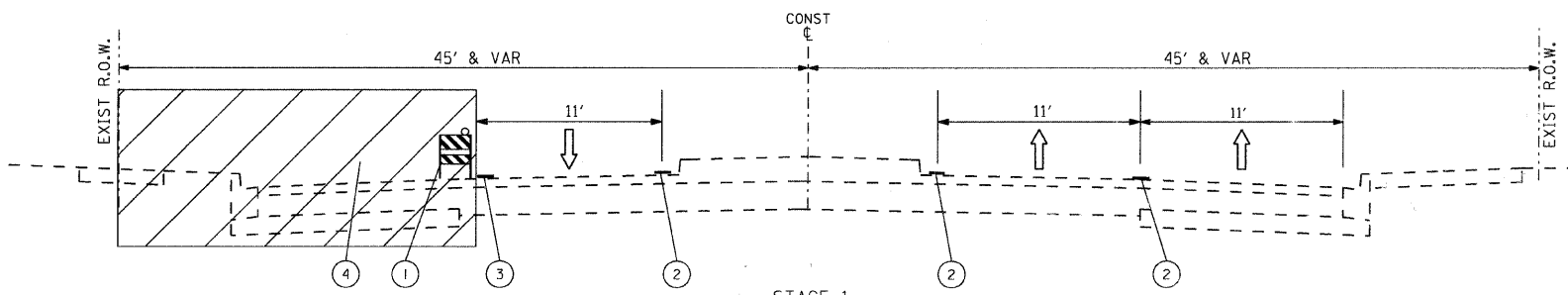
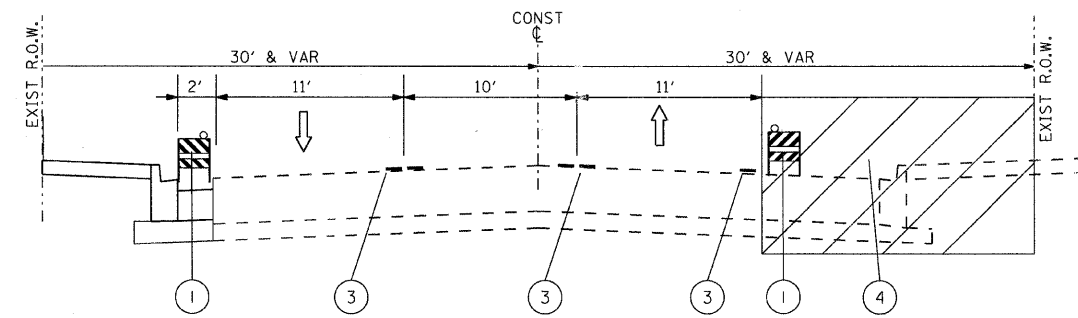


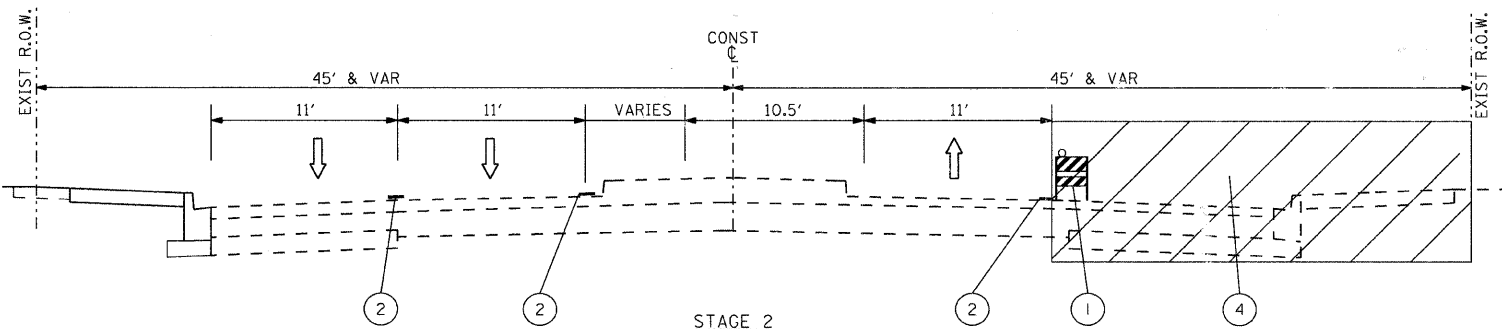
STAGE 1
MILWAUKEE AVENUE
STA 105+25 TO STA 148+49



STAGE 1
MILWAUKEE AVENUE
STA 148+49 TO STA 166+00

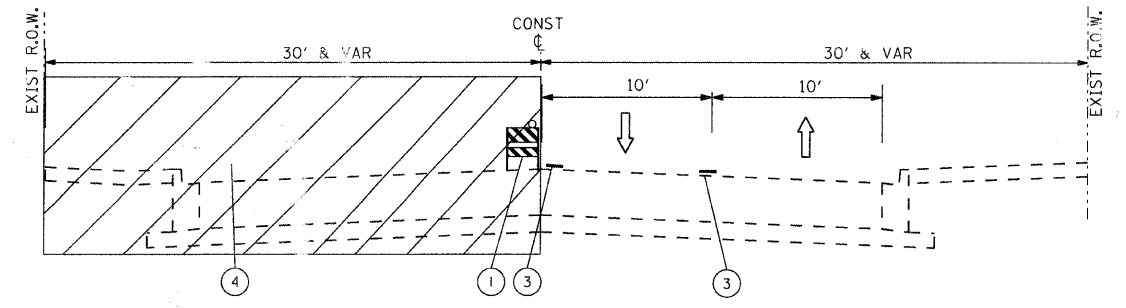


STAGE 2
MILWAUKEE AVENUE
STA 105+25 TO STA 151+50



STAGE 2
MILWAUKEE AVENUE
STA 151+50 TO STA 166+00

- TYPICAL SECTION LEGEND
- ① TYPE II BARRICADES SPACED PER IDOT HIGHWAY STANDARDS WITH STEADY BURNING LIGHTS.
 - ② EXISTING PAVEMENT MARKING TO REMAIN DURING STAGE CONSTRUCTION
 - ③ TEMPORARY PAVEMENT MARKING
 - ④ WORK ZONE
 - ⇨ TRAFFIC DIRECTION



STAGE 1A
MILWAUKEE AVENUE
STA 105+25 TO STA 127+00



USER NAME = char-uke	DESIGNED - JRM	REVISED -
PLOT SCALE = N.T.S.	DRAWN - JPA	REVISED -
PLOT DATE = 1/16/2009	CHECKED - JLP	REVISED -
	DATE - 12/16/08	REVISED -

VILLAGE OF MILES

SUGGESTED MAINTENANCE OF TRAFFIC PLAN - TYPICAL SECTIONS

SCALE: N.T.S. SHEET NO. 2 OF 8 SHEETS STA. TO STA.

F.A.U. RTE.	SECTION	COUNTY	TOTAL SHEETS	SHEET NO.
3513	08-00107-01-PV	COOK	169	21
CONTRACT NO.				
FED. ROAD DIST. NO. ILLINOIS FED. AID PROJECT M-8003(723)				

MILWAUKEE AVENUE IMPROVEMENTS
06/25/08
06/25/08-11-11-02.dgn