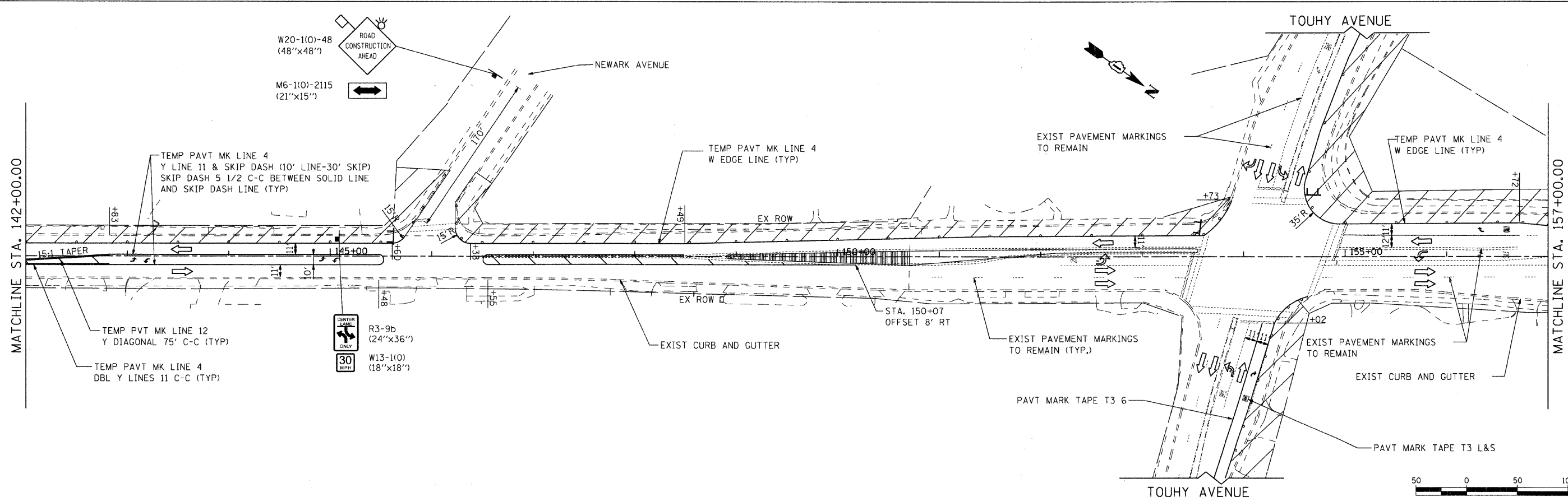
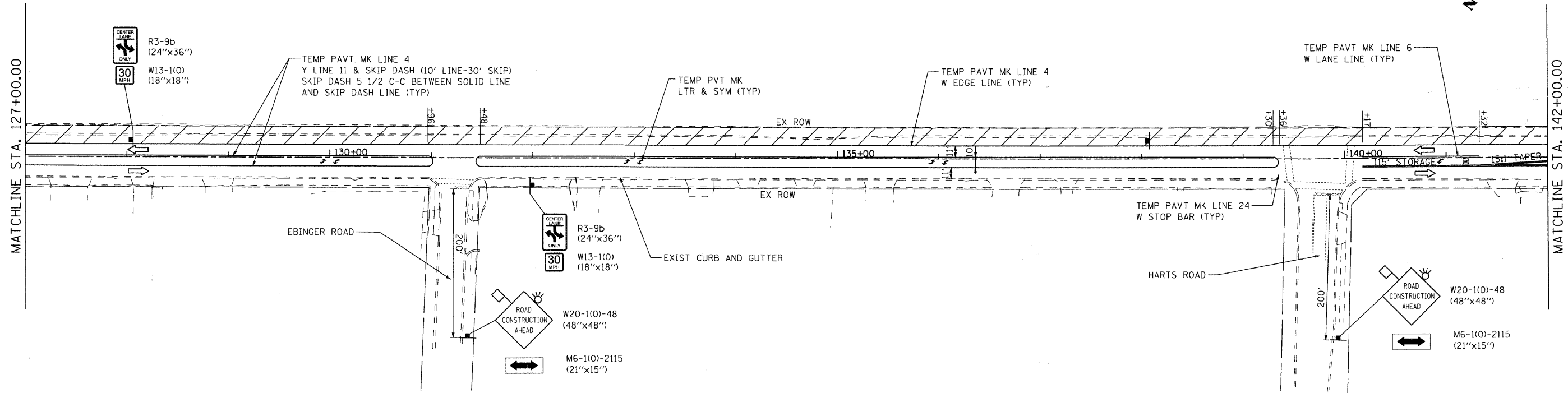
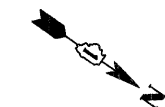


NOTE: ALL SIDE STREETS AND ENTRANCES WILL REMAIN OPEN DURING CONSTRUCTION



USER NAME = charlke	DESIGNED - JRM	REVISED -
PLOT SCALE = 1" = 50'	DRAWN - JPA	REVISED -
PLOT DATE = 12/22/2008	CHECKED - JLP	REVISED -
	DATE - 12/16/08	REVISED -

VILLAGE OF NILES

SUGGESTED MAINTENANCE OF TRAFFIC PLAN - STAGE 1

F.A.U. RTE. 3513	SECTION 08-00107-00-PV	COUNTY COOK	TOTAL SHEETS 169	SHEET NO. 23
CONTRACT NO. M-80031723				
FED. ROAD DIST. NO. ILLINOIS FED. AID PROJECT				

VILWAUKE AVENUE IMPROVEMENTS
060253
060253-mat1-02.dgn