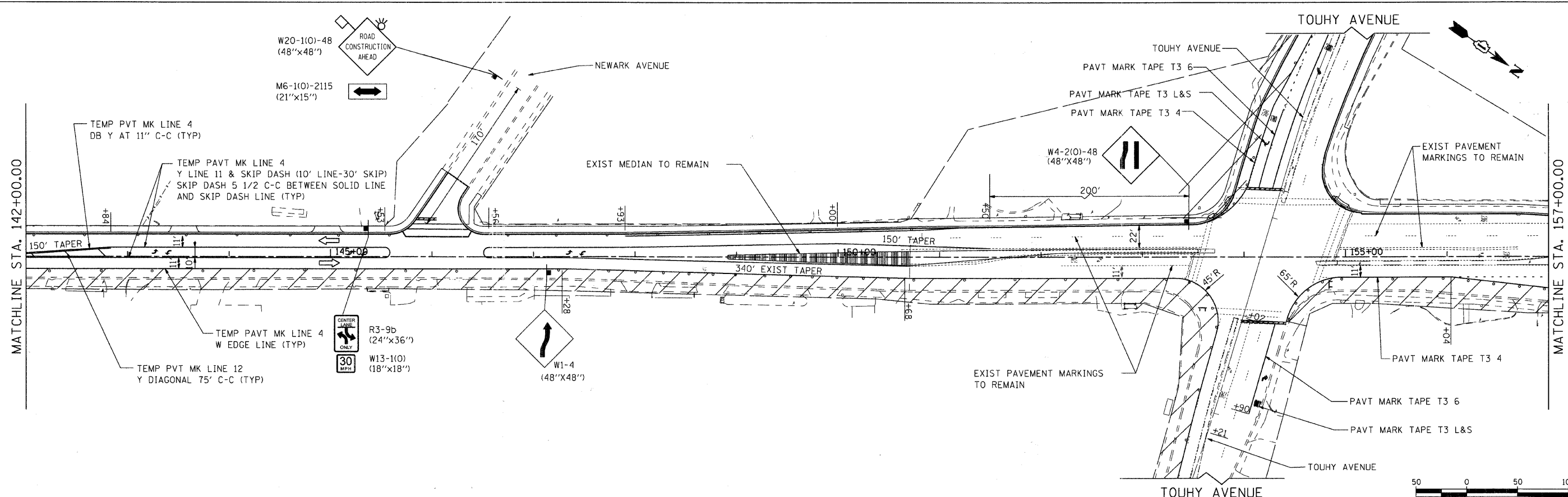
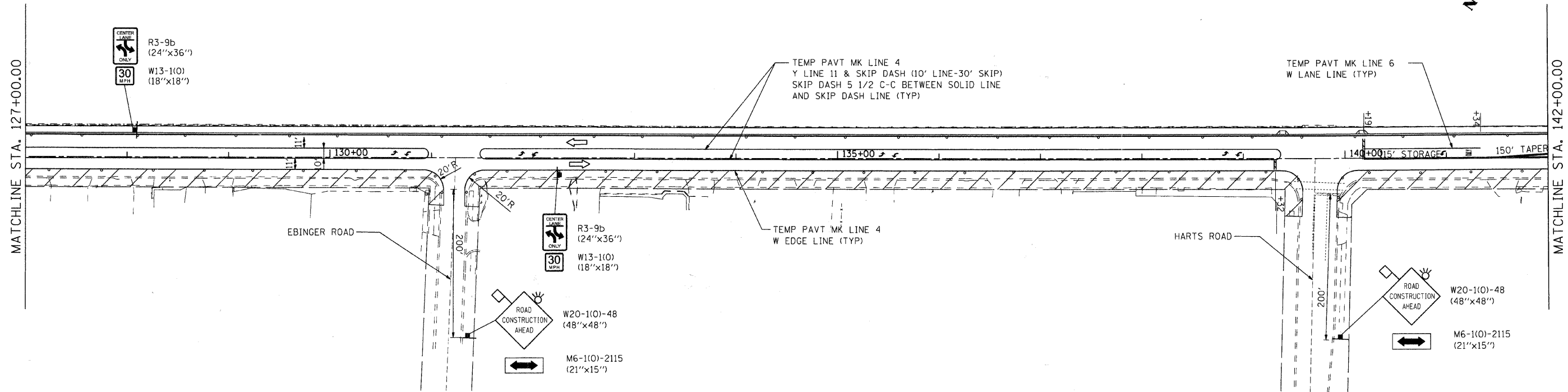


NOTE: ALL SIDE STREETS AND ENTRANCE WILL REMAIN OPEN DURING CONSTRUCTION



<p>SEC Group, Inc. Engineering Surveying Planning Landscape Architecture McHenry • Yorkville • New Lenox • Chicago www.secgroupinc.com</p>	USER NAME = charlke	DESIGNED - JRM	REVISED -	<p>VILLAGE OF NILES</p> <p>SUGGESTED MAINTENANCE OF TRAFFIC PLAN - STAGE 2</p> <p>SCALE: 1" = 50' SHEET NO. 7 OF 8 SHEETS STA. 127+00.00 TO STA. 157+00.00</p>	F.A.U. RTE. 3513	SECTION 08-00107-06-PV	COUNTY COOK	TOTAL SHEETS 169	SHEET NO. 26
	PLOT SCALE = 1" = 50'	DRAWN - JPA	REVISED -		CONTRACT NO. [REDACTED]				
	PLOT DATE = 12/22/2008	CHECKED - JLP	REVISED -		FED. ROAD DIST. NO. [REDACTED] ILLINOIS FED. AID PROJECT M-8003(723)				
	DATE = 12/16/08	REVISED -	REVISED -						

MILWAUKEE AVENUE IMPROVEMENTS
062023
062023-0012-02.dgn