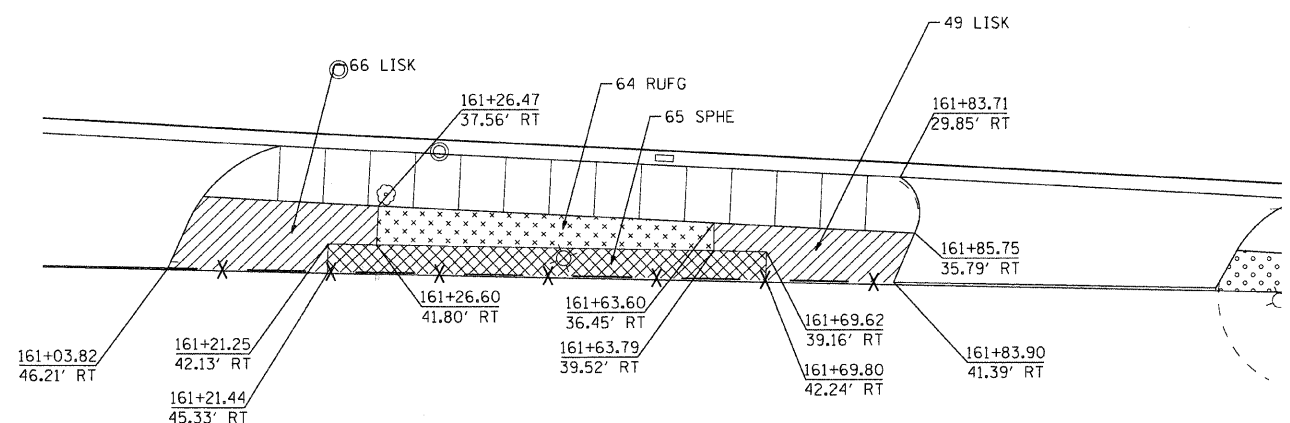
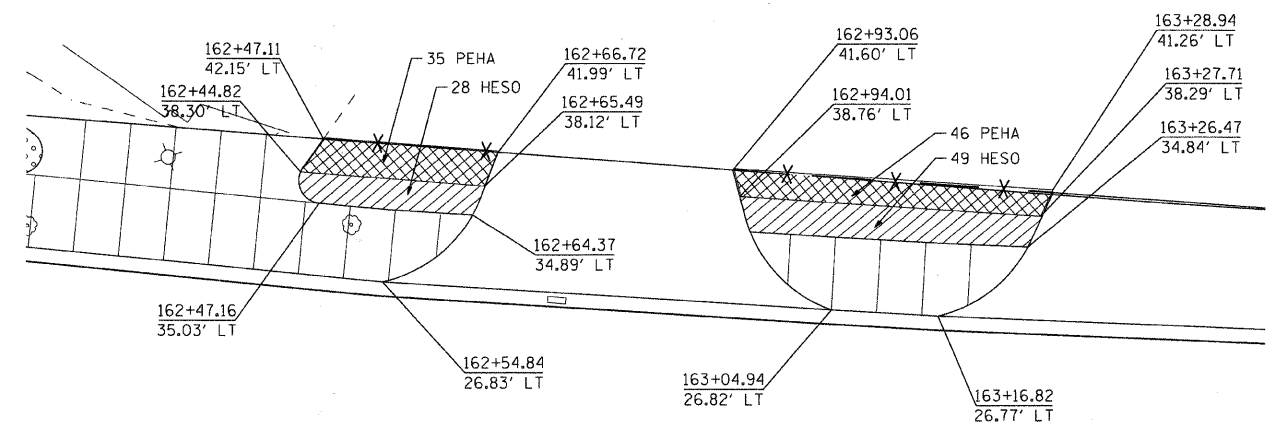


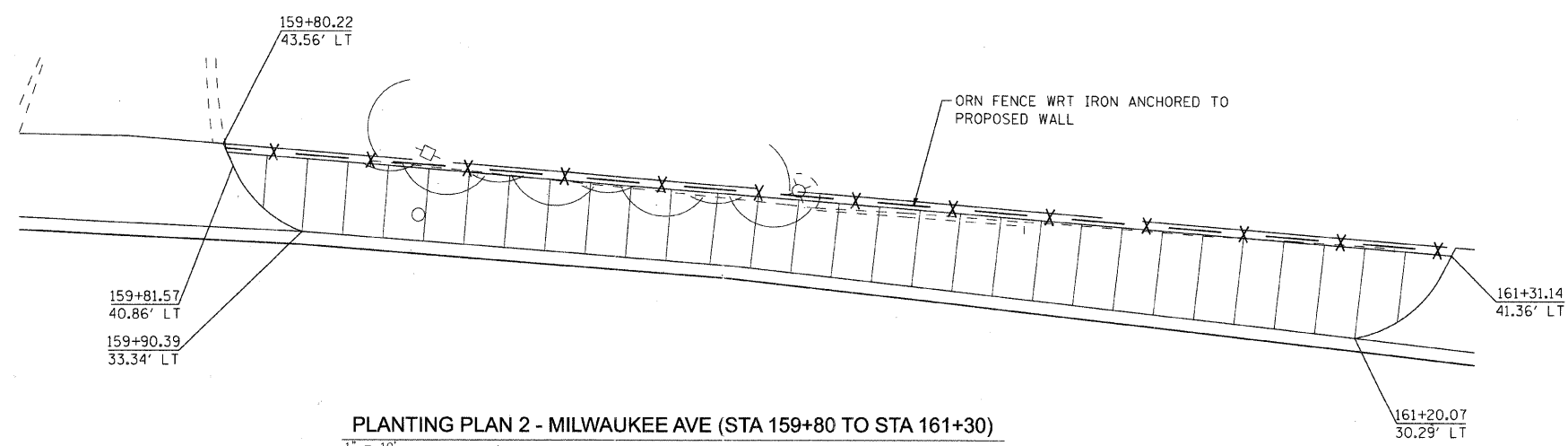
PLANTING PLAN 1 - MILWAUKEE AVE (STA 157+57 TO STA 158+58)
1" = 10'



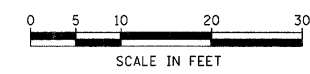
PLANTING PLAN 3 - MILWAUKEE AVE (STA 161+03 TO STA 161+86)
1" = 10'



PLANTING PLAN 4 - MILWAUKEE AVE (STA 162+44 TO STA 163+29)
1" = 10'



PLANTING PLAN 2 - MILWAUKEE AVE (STA 159+80 TO STA 161+30)
1" = 10'



<p>SEC Group, Inc. Engineering Planning Landscape Architecture Michigan • Northville • New Lenox • Chicago www.secgroupinc.com</p>	USER NAME = char.tke	DESIGNED - MAC	REVISED -	VILLAGE OF NILES	LANDSCAPE PLAN - DETAILS			F.A.U. RTE. 3513	SECTION 08-00107-00-PV	COUNTY COOK	TOTAL SHEETS 169	SHEET NO. 56
	PLOT SCALE = 1" = 20'	CHECKED - CMH	REVISED -					CONTRACT NO. 08-00107-00-PV				
	PLOT DATE = 1/6/2009	DATE = 12/16/08	REVISED -					ILLINOIS FED. AID PROJECT M-800347231				
								SCALE: 1" = 20'	SHEET NO. 5 OF 7 SHEETS	STA. TO STA.		