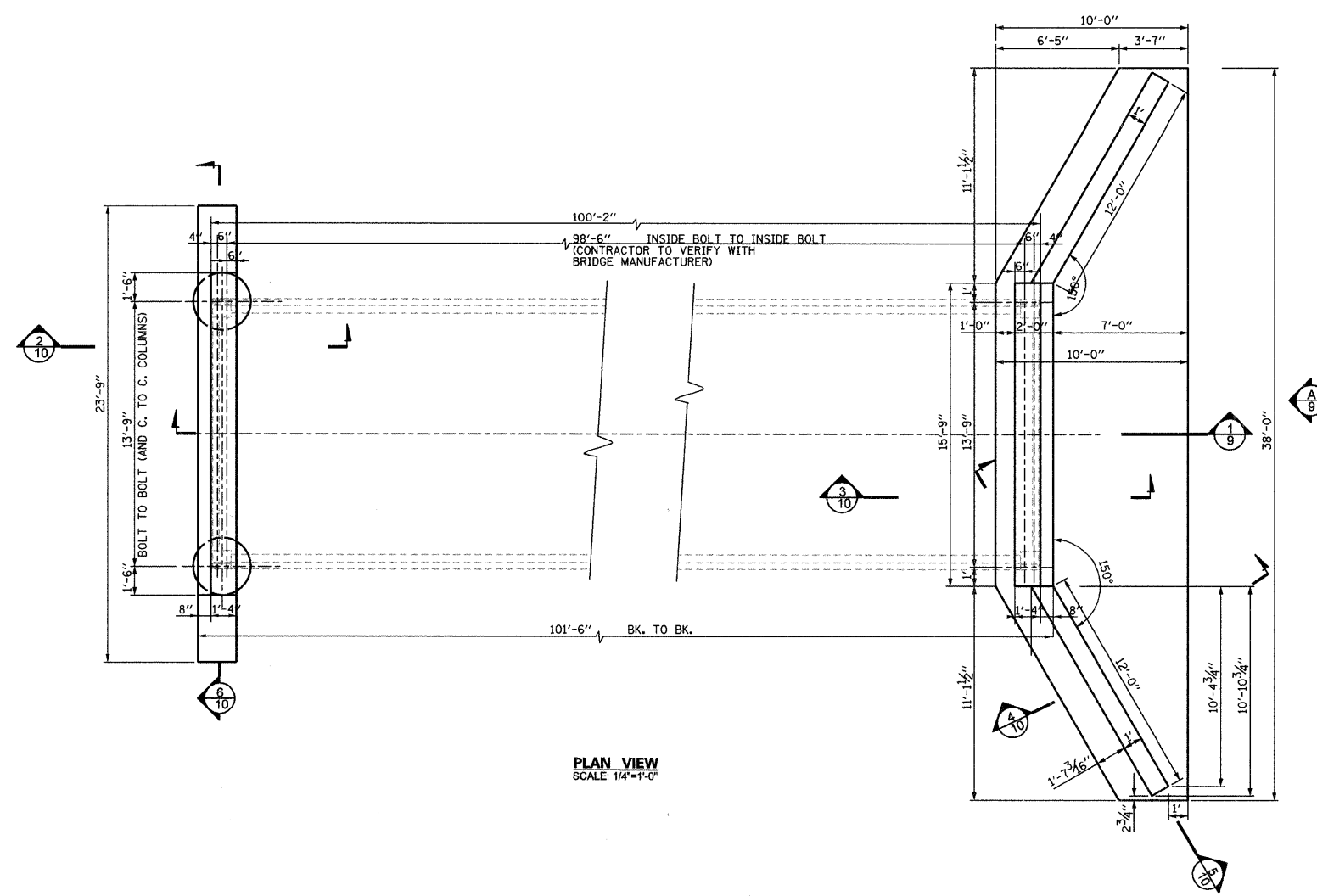
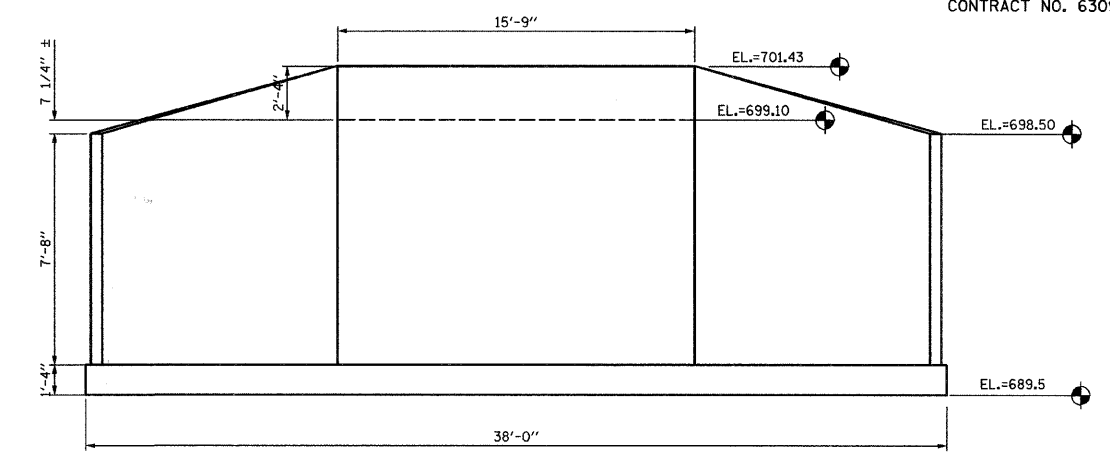


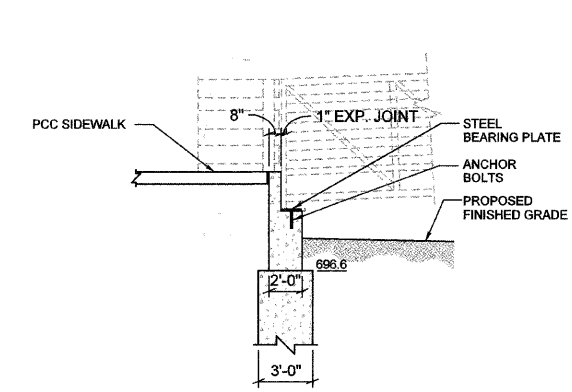
DATE	BY
PLAN	
SURVEYED	CHECKED
NOTE BOOK	ALIGNED
NO.	NO.
DRAWN	
DATE	BY
PROFILE	
SURVEYED	CHECKED
NOTE BOOK	ALIGNED
NO.	NO.
DRAWN	
DATE	BY



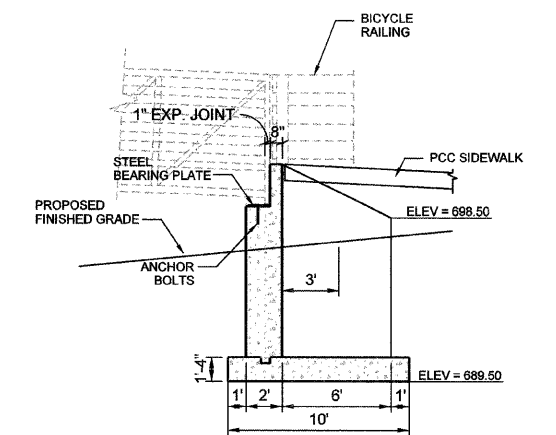
PLAN VIEW
SCALE: 1/4"=1'-0"



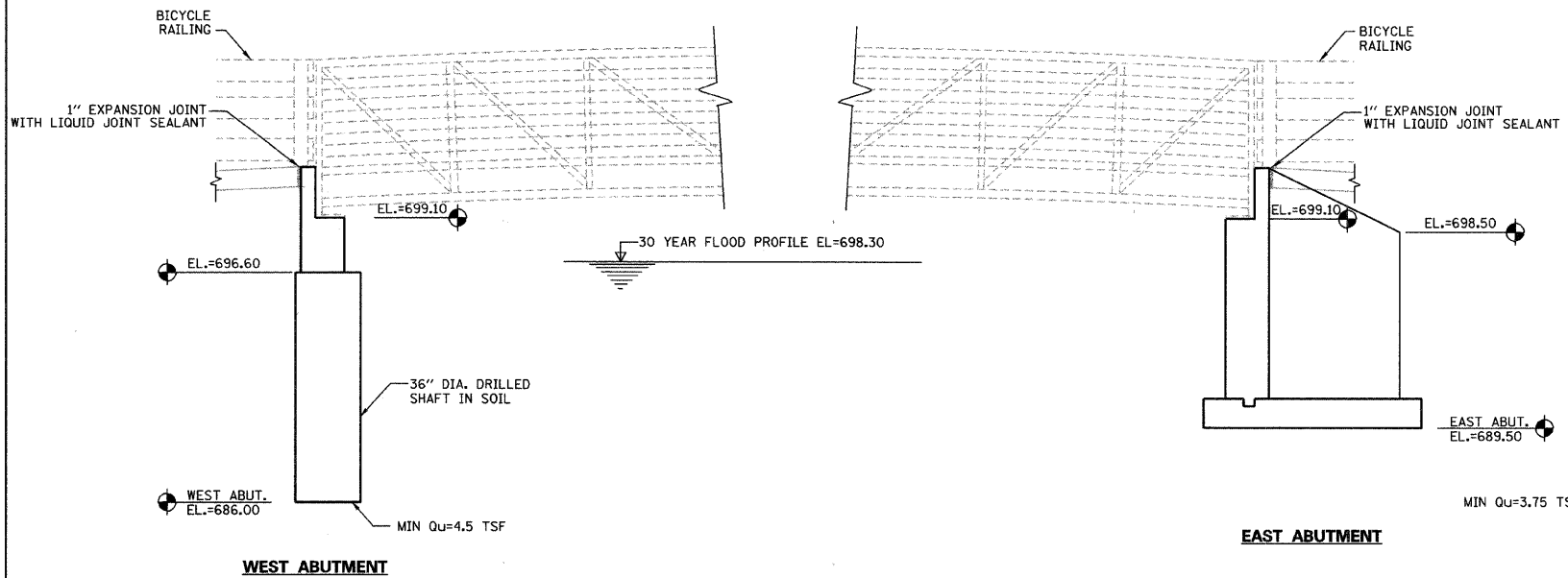
ELEVATION A
SCALE: 1/4"=1'-0"



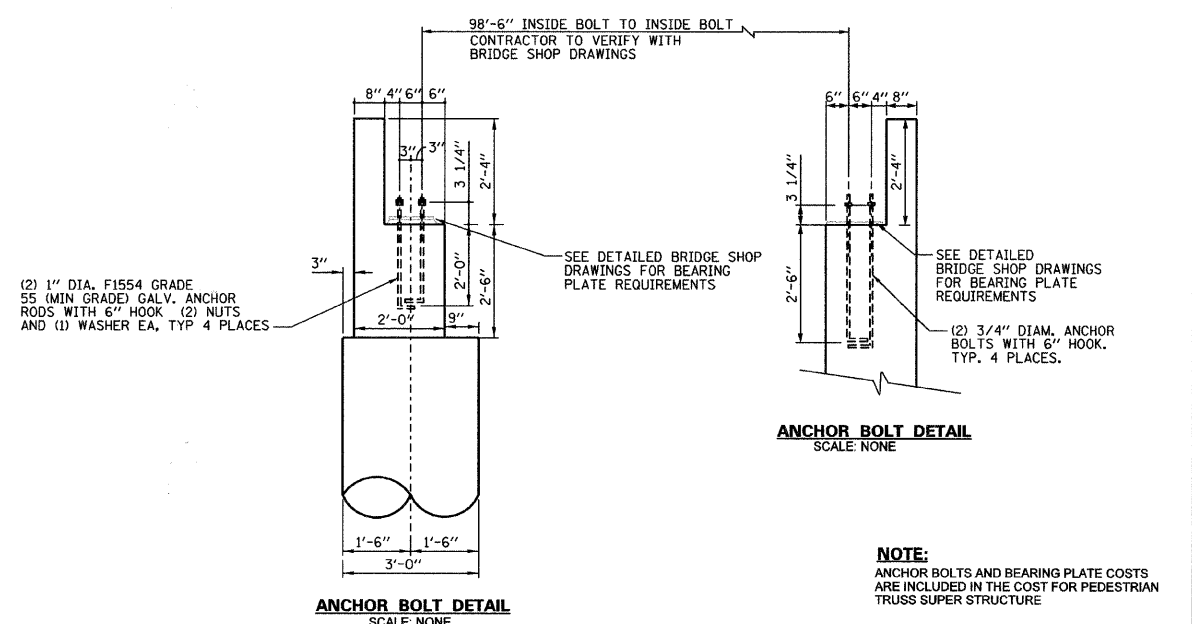
SECTION THRU WEST ABUTMENT



SECTION THRU EAST ABUTMENT



SECTION 1
SCALE: 1/4"=1'-0"



ANCHOR BOLT DETAIL
SCALE: NONE

NOTE:
ANCHOR BOLTS AND BEARING PLATE COSTS ARE INCLUDED IN THE COST FOR PEDESTRIAN TRUSS SUPER STRUCTURE

FILE NAME =	USER NAME = .USER.	DESIGNED -	REVISED -
n:\dgn\na\327\sheet\327.structure.dgn		CHECKED -	REVISED -
		DRAWN -	REVISED -
		CHECKED -	REVISED -

**STATE OF ILLINOIS
DEPARTMENT OF TRANSPORTATION**

STRUCTURAL DETAILS AND SECTIONS				
SCALE:	SHEET NO.	OF SHEETS	STA.	TO STA.

F.A. RTE.	SECTION	COUNTY	TOTAL SHEETS	SHEET NO.
	07-00050-00-BT	KANE	15	10
CONTRACT NO. 63097				
FED. ROAD DIST. NO.	ILLINOIS FED. AID PROJECT			