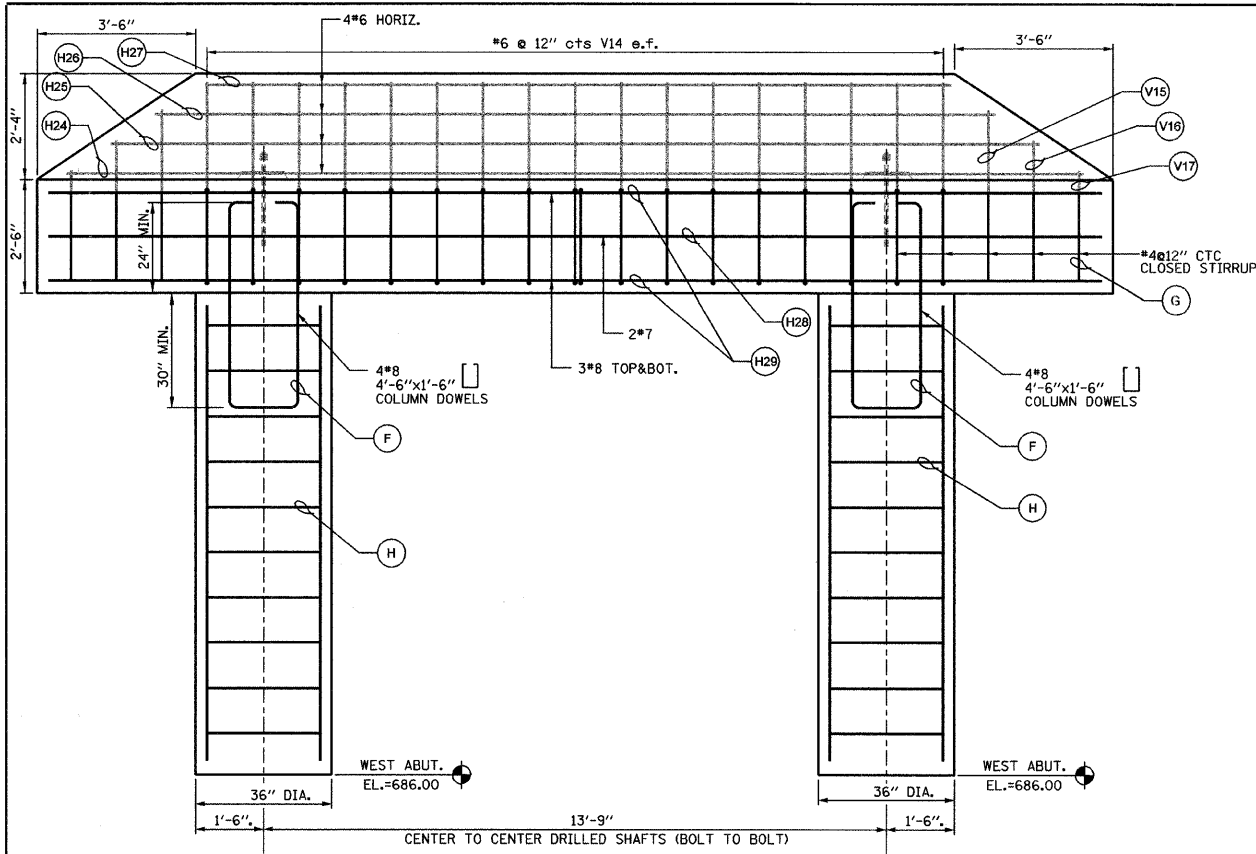
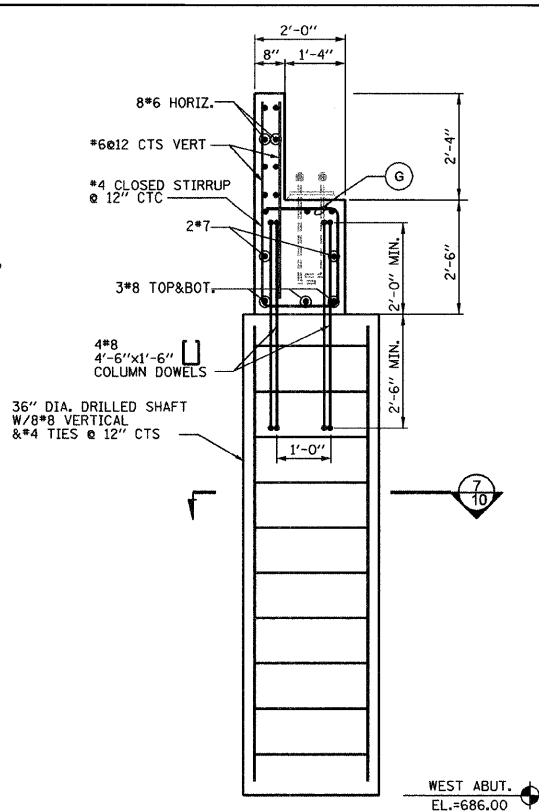


DATE	
BY	
SURVEYED	
ALIGNED	
CHECKED	
NO.	
PLAN	
NOTE BOOK	
NO.	

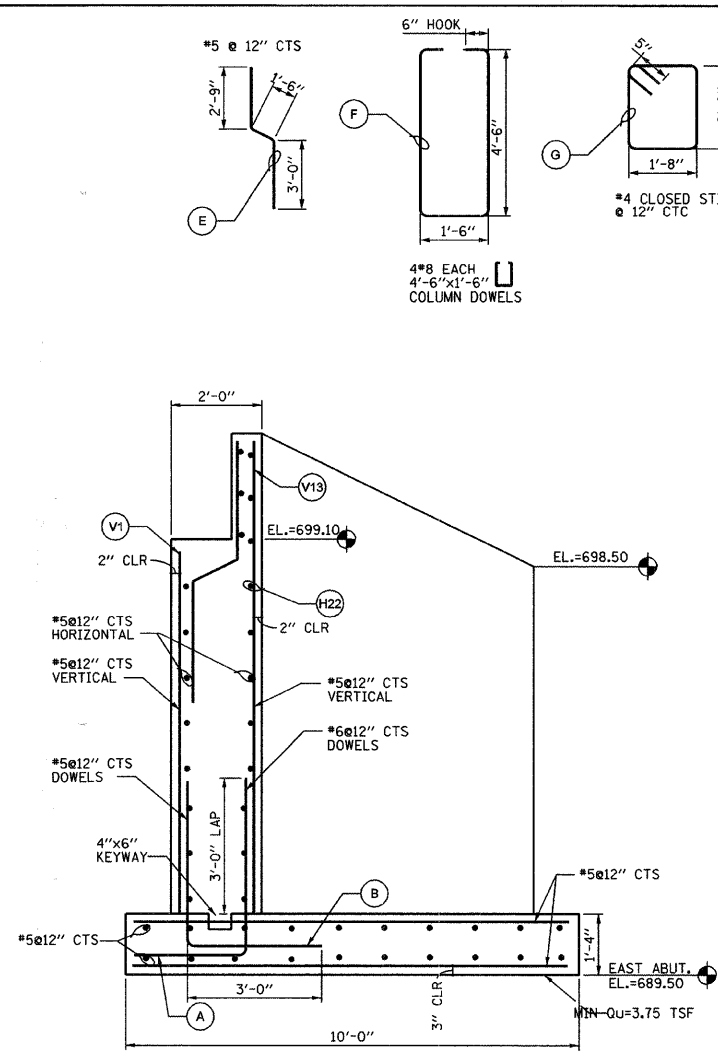
DATE	
BY	
SURVEYED	
GRADES CHECKED	
NO.	
PROFILE	
NOTE BOOK	
NO.	



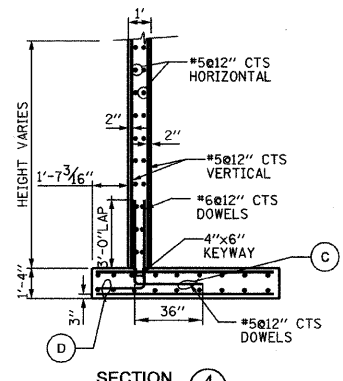
SECTION 6
SCALE: 1/2"=1'-0"



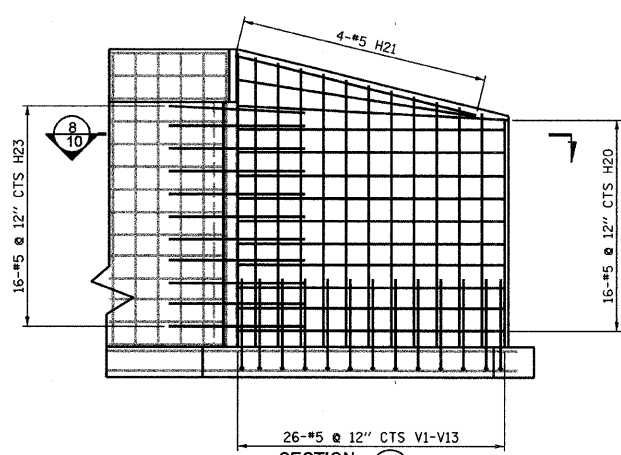
SECTION 7
SCALE: 1/2"=1'-0"



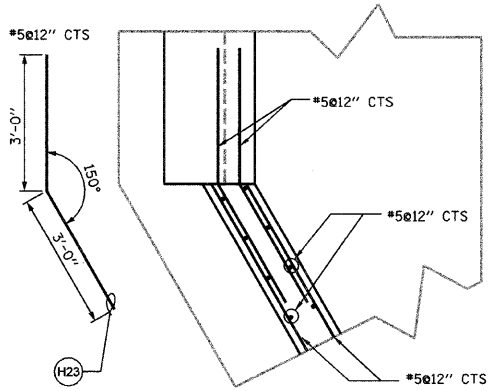
SECTION 3
SCALE: 1/2"=1'-0"



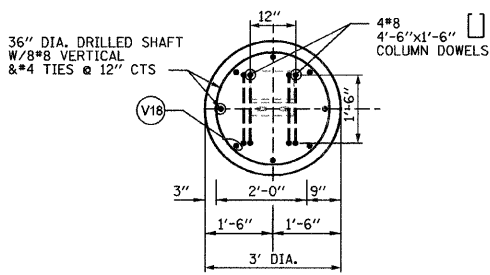
SECTION 4
SCALE: 1/4"=1'-0"



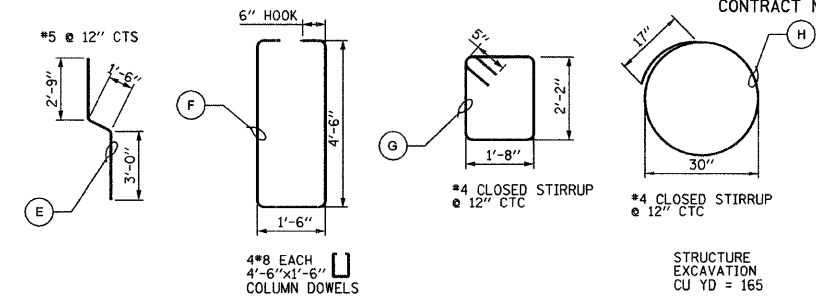
SECTION 5
SCALE: 1/4"=1'-0"



SECTION 8
SCALE: 1/2"=1'-0"



SECTION 7
SCALE: 1/2"=1'-0"



STRUCTURE EXCAVATION CU YD = 165
POR GRAN EM = 16 CY

EAST ABUTMENT BILL OF MATERIAL				
BAR	SIZE	QTY.	LENGTH	SHAPE
A	6	16	6'-6"	┌
B	5	16	6'-6"	└
C	5	13	6'-6"	┌
D	6	13	6'-0"	└
E	5	16	7'-3"	┌
H1	5	8	37'-6"	—
H2	5	2	35'-0"	—
H3	5	2	31'-0"	—
H4	5	2	28'-0"	—
H5	5	2	24'-0"	—
H6	5	2	21'-0"	—
H7	5	2	18'-0"	—
H8	5	4	3'-0"	—
H9	5	4	4'-0"	—
H10	5	4	4'-6"	—
H11	5	4	5'-0"	—
H12	5	4	5'-6"	—
H13	5	4	6'-0"	—
H14	5	4	6'-6"	—
H15	5	4	7'-0"	—
H16	5	4	8'-0"	—
H17	5	4	8'-6"	—
H18	5	4	9'-0"	—
H19	5	32	9'-6"	—
H20	5	32	11'-6"	—
H21	5	8	11'-0"	—
H22	5	22	15'-3"	—
H23	5	32	6'-0"	—
V1	5	20	7'-1"	┌
V2	5	4	7'-4"	└
V3	5	4	7'-7"	┌
V4	5	4	7'-10"	└
V5	5	4	8'-1"	┌
V6	5	4	8'-4"	└
V7	5	4	8'-7"	┌
V8	5	4	8'-10"	└
V9	5	4	9'-1"	┌
V10	5	4	9'-4"	└
V11	5	4	9'-7"	┌
V12	5	4	9'-10"	└
V13	5	20	10'-1"	┌

WEST ABUTMENT BILL OF MATERIAL				
BAR	SIZE	QTY.	LENGTH	SHAPE
F	8	8	11'-6"	┌
G	4	24	8'-6"	└
H	4	20	9'-3"	○
H24	6	2	22'-10"	—
H25	6	2	20'-10"	—
H26	6	2	18'-11"	—
H27	6	2	17'-0"	—
H28	7	2	23'-3"	—
H29	8	6	23'-3"	—
V14	6	34	4'-4"	┌
V15	6	4	3'-10"	└
V16	6	4	3'-2"	┌
V17	6	4	2'-6"	└
V18	8	32	10'-1"	┌

CONCRETE STRUCTURES	CD YD	6
REINFORCEMENT BARS, EPOXY COATED	LBS	2352
DRILLED SHAFT IN SOIL	CU YD	6
CONCRETE SEALER	SQ FT	245
STRUCTURE EXCAVATION	CU YD	14

CONCRETE STRUCTURES	CU YD	34
REINFORCEMENT BARS, EPOXY COATED	LBS	3607
STRUCTURE EXCAVATION	CU YD	165
CONCRETE SEALER	SQ FT	1177

fc'=5,000 psi
fy=60,000 psi

FILE NAME =	USER NAME = .USER.	DESIGNED -	REVISED -
m:\dgn\lno\327\sheet\327_structure_02.dgn		CHECKED -	REVISED -
		PLOT SCALE = 8.00 ft / IN.	DRAWN -
		PLOT DATE = 11/14/2008	CHECKED -
			REVISED -

STATE OF ILLINOIS
DEPARTMENT OF TRANSPORTATION

STRUCTURAL DETAILS AND SECTIONS

SCALE: SHEET NO. OF SHEETS STA. TO STA.

F.A. RTE.	SECTION	COUNTY	TOTAL SHEETS	SHEET NO.
	07-00050-00-BT	KANE	15	11
CONTRACT NO. 63097				
FED. ROAD DIST. NO.	ILLINOIS FED. AID PROJECT			