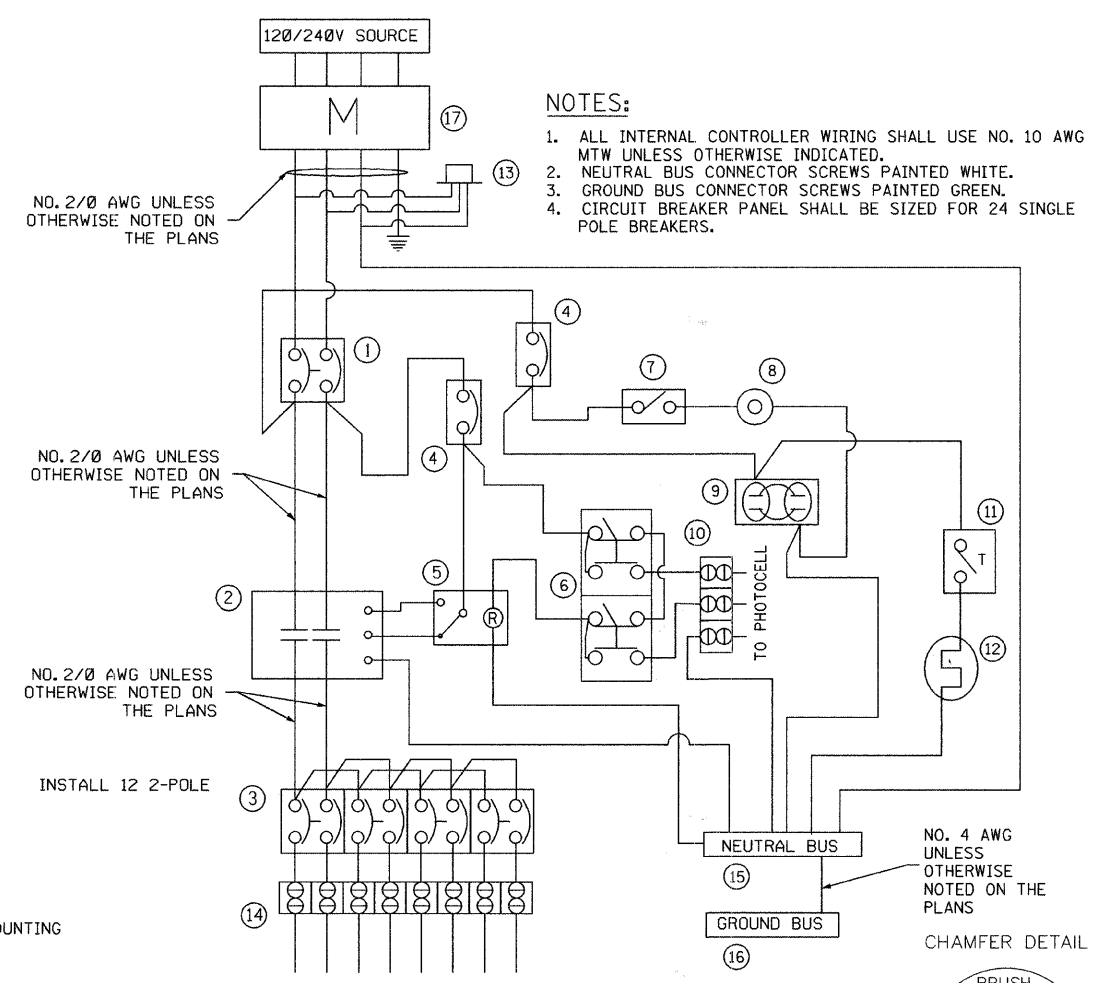


LIGHTING CONTROLLER CABINET  
NOT TO SCALE



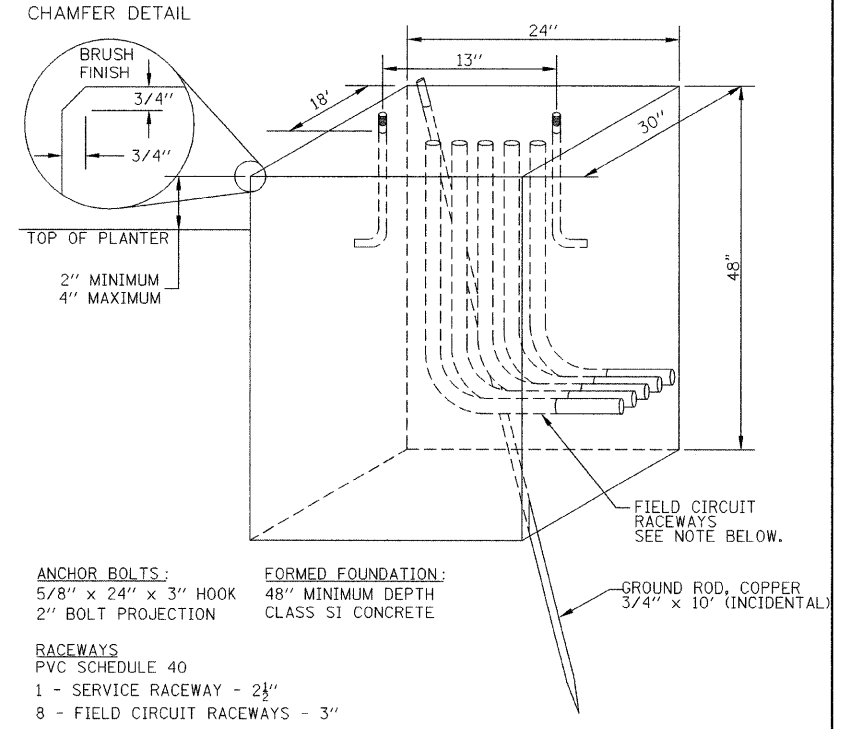
LIGHTING CONTROLLER SPECIAL WIRING DIAGRAM  
NOT TO SCALE

LIGHTING CONTROLLER CABINET NOTES

- PERFORMANCE - THE ENCLOSURE WILL MEET OR EXCEED THE REQUIREMENTS OF A NEMA 3R RATING AND SHALL BE U.L. LISTED.
- MATERIAL - CABINET AND DOOR TO BE CONSTRUCTED FROM 5052 H32 SHEET ALUMINUM ALLOY WITH A THICKNESS OF .125". ALL WELDS TO BE HELIARC AND SHALL BE FORMED AND FREE OF CRACKS, BLOW HOLES, AND OTHER DEFECTS. ALL EDGES TO BE FREE OF BURRS.
- CABINET FEATURES - CABINET TOP SLOPES 1/2" TO THE REAR, WITH 1/8" x 1" SLOTS UNDER FRONT OVERHANG.
- DOOR AND HARDWARE - THE CABINET DOOR SHALL BE HINGED ON THE RIGHT SIDE WHEN FACING THE FRONT OF THE CABINET AND HAS A CELLULAR NEOPRENE GASKET, WHICH IS WEATHER TIGHT. THE DOOR IS ALSO EQUIPPED WITH A TWO POSITION DOOR STOP, ONE AT 90 DEGREES AND ONE AT 120 DEGREES. HINGE IS 2" OPEN AND IS CONTINUOUS 14 GAUGE STAINLESS STEEL WITH A 1/4" DIA. PIN AND IS CAPPED AT THE TOP TO RENDER IT TAMPER PROOF. THE HINGE IS SECURED WITH 1/4-20 STAINLESS STEEL CARRIAGE BOLTS AND ESNA LOCK NUTS. THE LATCHING MECHANISM IS A THREE POINT DRAW ROLLER TYPE WHICH SECURES THE DOOR AT THE TOP, CENTER, AND BOTTOM. LOCKING RODS ARE 1/4" x 3/4" ALUMINUM TURNED EDGEWISE WITH 1" NYLON ROLLERS AND THE CENTER CATCH IS STAINLESS STEEL. THE DOOR HANDLE IS 3/4" DIA. STAINLESS STEEL AND HAS A PADLOCK HASP. AN ALL BRASS CORBIN LOCK WITH TWO KEYS IS ALSO FURNISHED. LOUVER INCLUDED IN LOWER HALF OF THE DOOR FOR VENTILATION.
- EQUIPMENT MOUNTING - THE CABINET SHALL BE EQUIPPED WITH TWO ADJUSTABLE "L" MOUNTING CHANNELS WELDED TO EACH SIDE WALL AND THE BACK WALL ALLOWING FULL ADJUSTMENT OF SHELVES OR PANELS.
- CABINET FINISH - THE OUTSIDE SURFACE OF THE CABINET SHALL HAVE A BLACK POWDER COAT FINISH.

SCHEDULE OF DEVICES

1. MAIN BREAKER 2P, 100A, 12 KAIC
2. CONTACTOR 2P, 100A, 120V
3. BRANCH BREAKERS, 2P, 30A, 240V
4. CONTROL BREAKER 1P, 20A, 120V
5. CONTROL RELAY 20A, 120V, ON-DELAY
6. H-O-A SWITCH, 120V
7. LIGHT SWITCH
8. LIGHT FIXTURE
9. DUPLEX RECEPTACLE, 20A, GFCI
10. TERMINAL BLOCK
11. THERMOSTAT
12. HEATER STRIP, 150W
13. SURGE SUPPRESSOR
14. TERMINAL BLOCK
15. NEUTRAL BUS
16. GROUND BUS
17. CECHA APPROVED METER HOUSING. CONTRACTOR SHALL COORDINATE WITH COMED FOR PROPER LOCATION AND SIZING.



LIGHTING CONTROLLER CABINET FOUNDATION  
NOT TO SCALE

FILE NAME = n:\proj\66030\design\lighting\66030-18.dwg

**Ciorba Group, Inc.**  
CONSULTING ENGINEERS  
5507 North Cumberland Avenue, Suite 402  
Chicago, Illinois 60656  
Tel. 773.775.4009 Fax 773.775.4014

|                                |                      |           |
|--------------------------------|----------------------|-----------|
| USER NAME = jvondra            | DESIGNED - MLB       | REVISED - |
| PLOT SCALE = 1:10000' / 1" IN. | DRAWN - MLB          | REVISED - |
| PLOT DATE = 12/29/2008         | CHECKED - JMV        | REVISED - |
|                                | DATE - DECEMBER 2008 | REVISED - |

**STATE OF ILLINOIS**  
**DEPARTMENT OF TRANSPORTATION**

**WAUKEGAN ROAD LIGHTING IMPROVEMENTS**  
**LIGHTING CONTROLLER, SPECIAL**

SCALE: NONE SHEET NO. 1 OF 1 SHEETS STA. TO STA.

|   |                        |             |                    |              |
|---|------------------------|-------------|--------------------|--------------|
| F.A.P. RTE. 348                                   | SECTION 07-00102-00-LT | COUNTY COOK | TOTAL SHEETS 23    | SHEET NO. 21 |
| FED. ROAD DIST. NO. - [ILLINOIS] FED. AID PROJECT |                        |             | CONTRACT NO. 63099 |              |