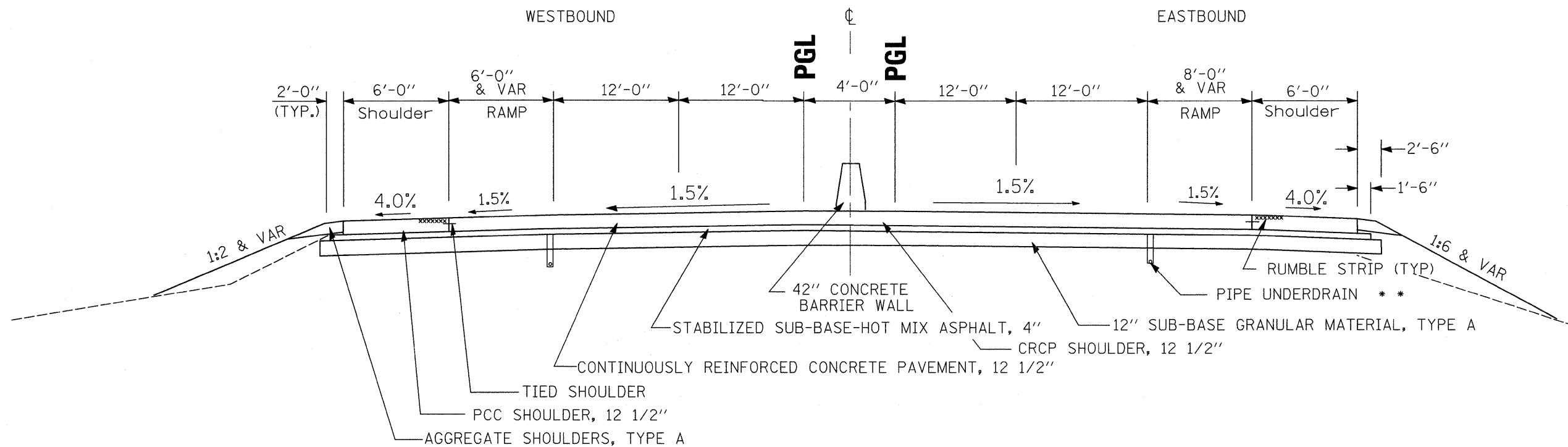


PROPOSED TYPICAL APPROACH PAVEMENT AND PCC CONNECTOR

N.T.S.

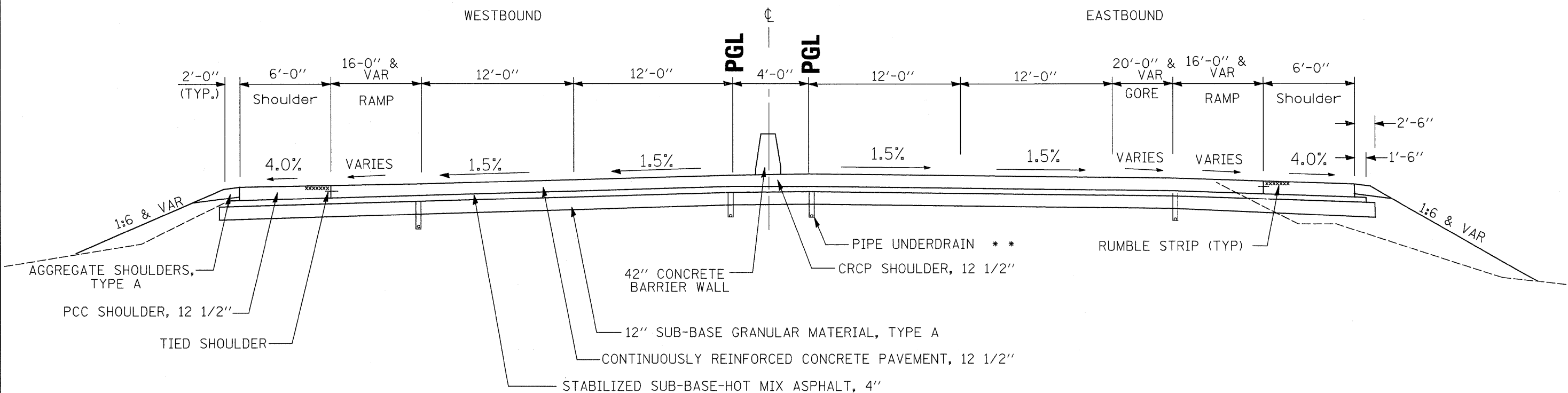
STA 51 + 52 TO STA 52 + 85



PROPOSED TYPICAL SECTION, NORMAL CROWN WITH BARRIER WALL

N.T.S.

STA 52 + 85 TO STA 58 + 00



** AS SCHEDULED

FILE NAME =	USER NAME = grantpm	DESIGNED -	REVISED -	STATE OF ILLINOIS DEPARTMENT OF TRANSPORTATION	TYPICAL SECTIONS			F.A. RTE.	SECTION	COUNTY	TOTAL SHEETS	SHEET NO.
c:\pwork\pwork\dot\grantpm\dms34287\d09403typ.dgn	PLOT SCALE = 100.0000' / IN.	DRAWN -	REVISED -					80	(81-1) R-1	ROCK ISLAND	292	13
PLOT DATE = Mon Dec 15 09:11:59 2009	DATE -	CHECKED -	REVISED -		SCALE: SHEET NO. OF SHEETS STA. TO STA.			FED. ROAD DIST. NO. ILLINOIS FED. AID PROJECT				
								CONTRACT NO. 64933				