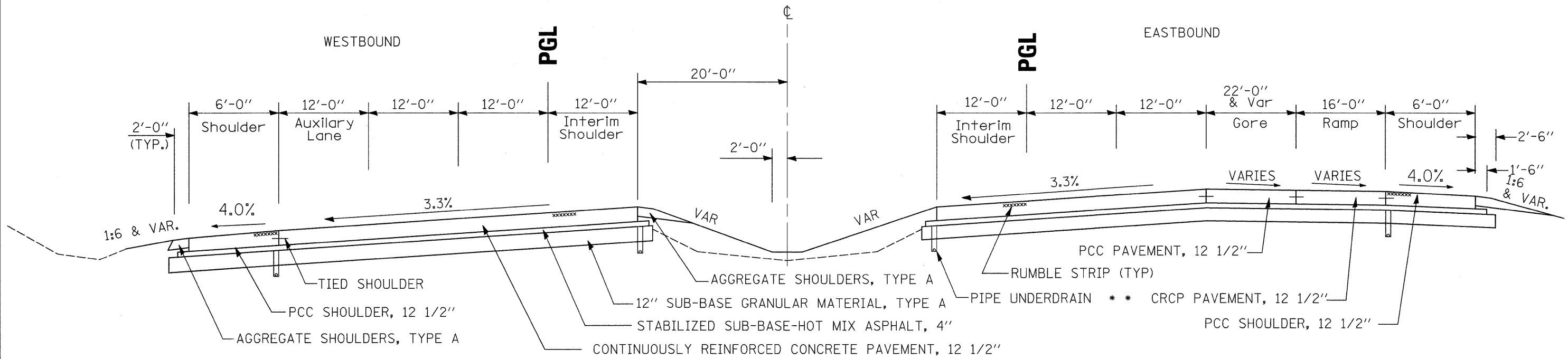


PROPOSED TYPICAL SECTION, W/AUXILIARY LANES

N.T.S.

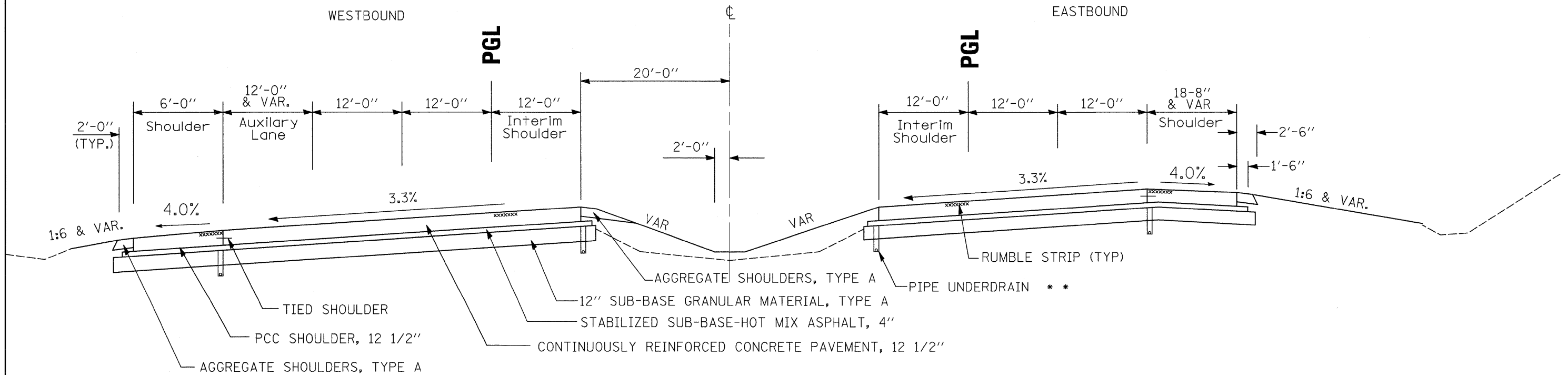
STA 85 + 64 TO STA 89 + 58



PROPOSED TYPICAL SECTION, SUPERELEVATION

N.T.S.

STA 89 + 58 TO STA 98 + 71



** AS SCHEDULED

FILE NAME =	USER NAME = grantpm	DESIGNED -	REVISED -	STATE OF ILLINOIS DEPARTMENT OF TRANSPORTATION	TYPICAL SECTIONS			F.A.I. RTE.	SECTION	COUNTY	TOTAL SHEETS	SHEET NO.
ca:\pwork\pwork\dot\grantpm\dms34287\d09403typ.dgn		DRAWN -	REVISED -					80	(81-1) R-1	ROCK ISLAND	292	17
PLOT SCALE = 100.0000' / IN.	CHECKED -	REVISED -	REVISED -		CONTRACT NO. 64933							
PLOT DATE = Mon Dec 15 09:12:00 2008	DATE -	REVISED -	REVISED -		SCALE:	SHEET NO.	OF SHEETS	STA.	TO STA.	FED. ROAD DIST. NO.	ILLINOIS FED. AID PROJECT	