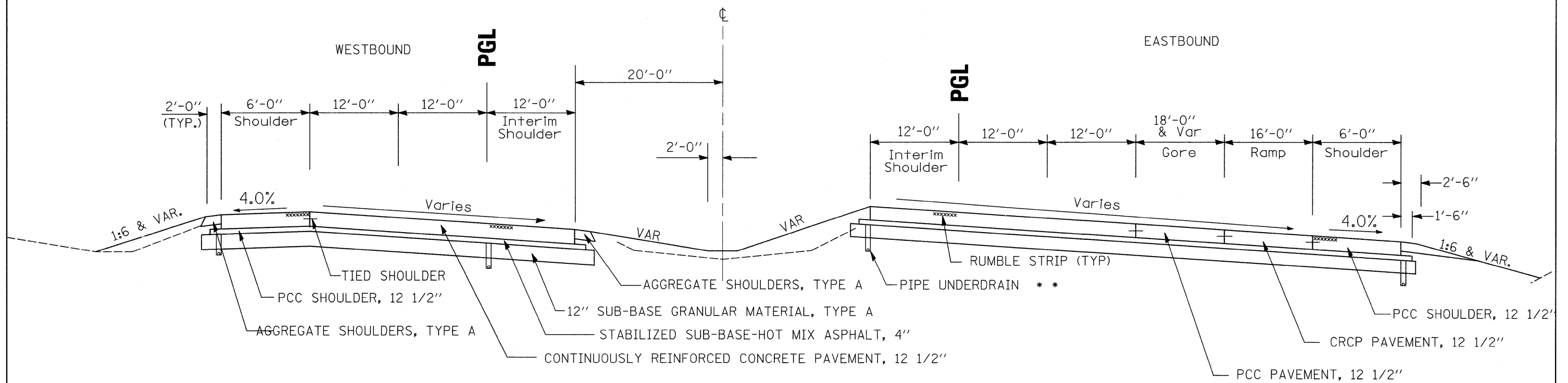


PROPOSED TYPICAL SECTION, SUPERELEVATION

N.T.S.

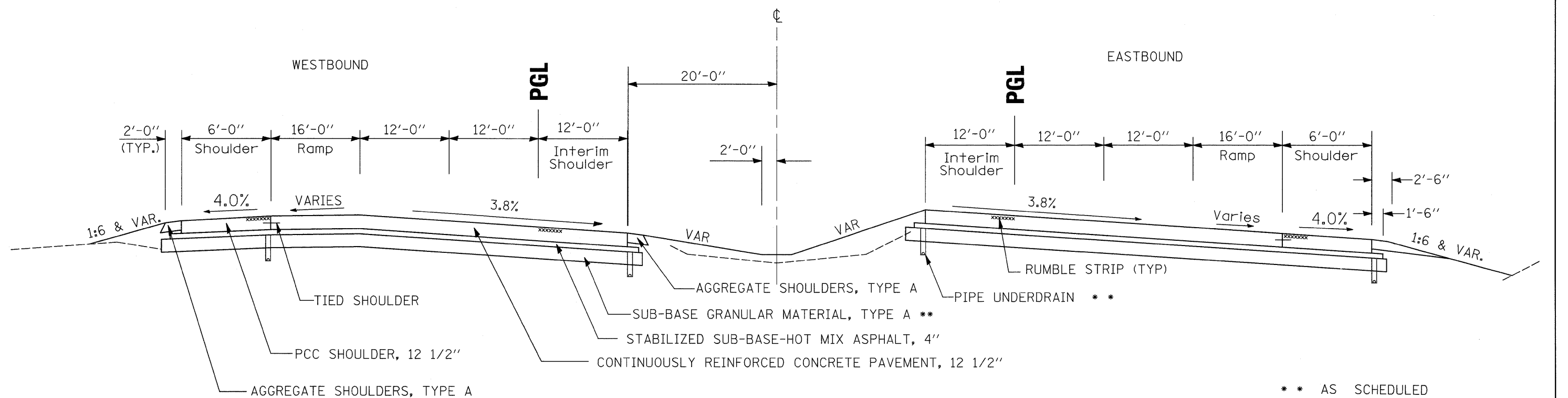
STA 98 + 71 TO STA 102 + 82



PROPOSED TYPICAL SECTION, SUPERELEVATION

N.T.S.

STA 102 + 82 TO STA 110 + 43



\*\* AS SCHEDULED

FILE NAME =	USER NAME = grantpm	DESIGNED -	REVISED -	<b>STATE OF ILLINOIS DEPARTMENT OF TRANSPORTATION</b>	<b>TYPICAL SECTIONS</b>			F.A. RTE.	SECTION	COUNTY	TOTAL SHEETS	SHEET NO.
os\piv\work\piv\dot\grantpm\dms34287\d08403typ.dgn		DRAWN -	REVISED -					80	(81-1) R-1	ROCK ISLAND	292	18
PLOT SCALE = 1/8" = 100.0000' / IN.		CHECKED -	REVISED -		SCALE: SHEET NO. OF SHEETS STA. TO STA.			CONTRACT NO. 64933				
PLOT DATE = Mon Dec 15 09:12:01 2008		DATE -	REVISED -		FED. ROAD DIST. NO. ILLINOIS FED. AID PROJECT							