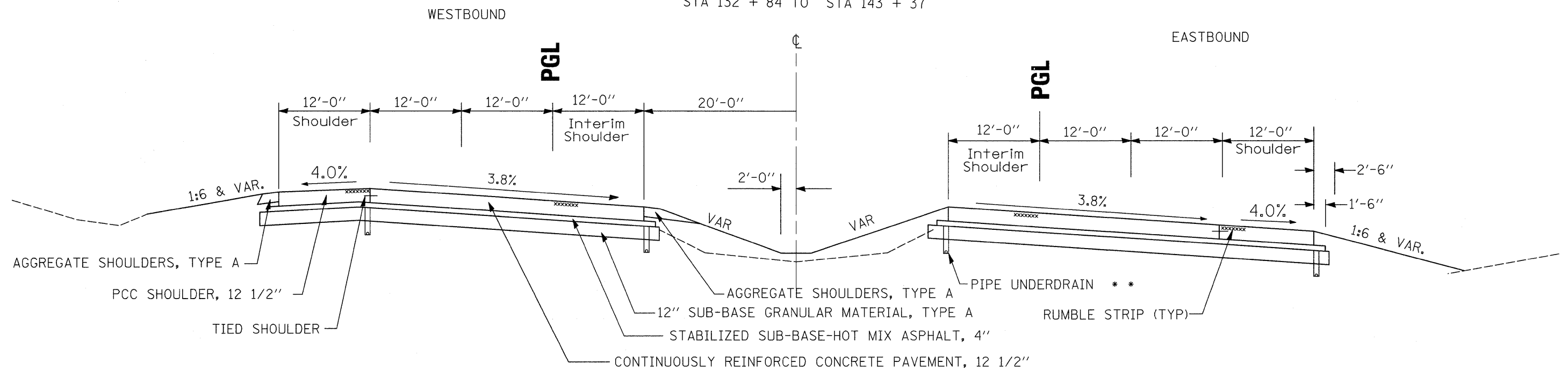


PROPOSED TYPICAL SECTION, SUPERELEVATION

N.T.S.

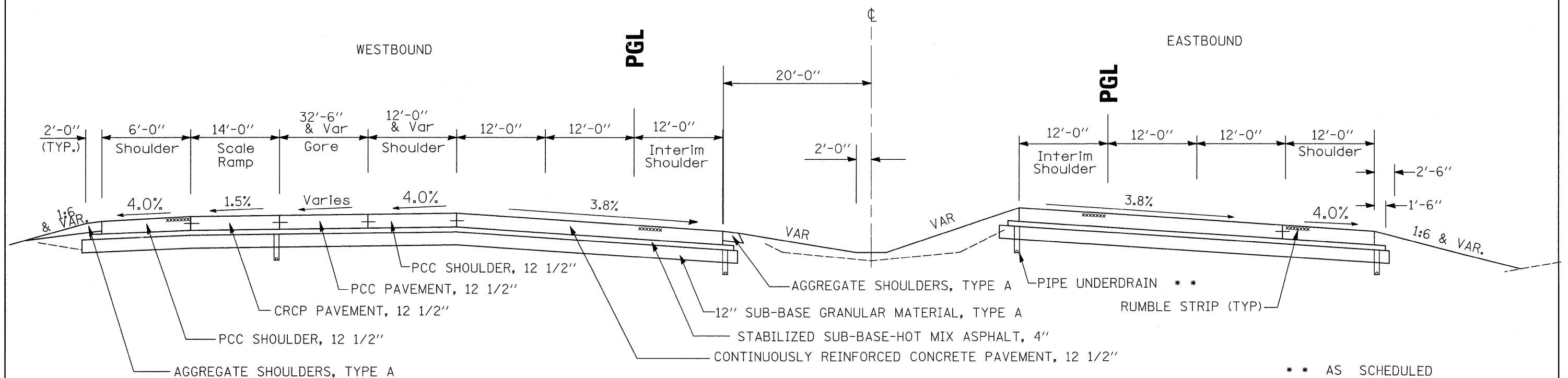
STA 132 + 84 TO STA 143 + 37



PROPOSED TYPICAL SECTION, SUPERELEVATION W/ RAMP

N.T.S.

STA 143 + 37 TO STA 153 + 00



\*\* AS SCHEDULED

FILE NAME =	USER NAME = grantpm	DESIGNED -	REVISED -	<b>STATE OF ILLINOIS DEPARTMENT OF TRANSPORTATION</b>	<b>TYPICAL SECTIONS</b>			F.A. RTE.	SECTION	COUNTY	TOTAL SHEETS	SHEET NO.
ca:\pr-work\pwr\dot\grantpm\dms34287\d08403typ.dgn	PLOT SCALE = 100.0000' / IN.	DRAWN -	REVISED -					80	(81-1) R-1	ROCK ISLAND	292	20
PLOT DATE = Mon Dec 15 09:12:02 2008	DATE -	CHECKED -	REVISED -		CONTRACT NO. 64933			FED. ROAD DIST. NO. ILLINOIS FED. AID PROJECT				
		DATE -	REVISED -		SCALE:	SHEET NO.	OF SHEETS	STA.	TO STA.			