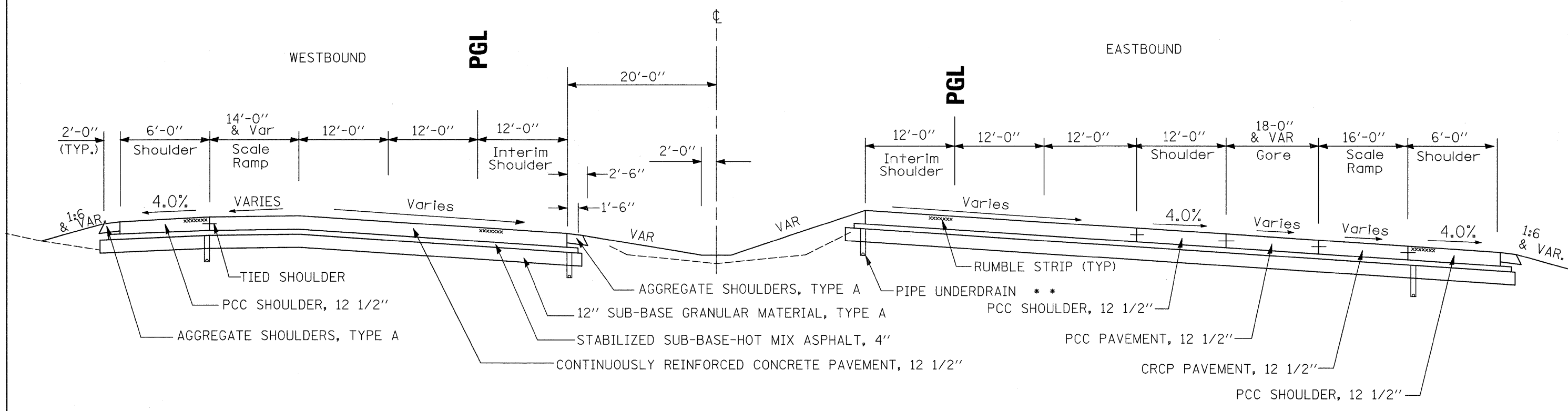


PROPOSED TYPICAL SECTION, SUPERELEVATION W/ RAMP

N.T.S.

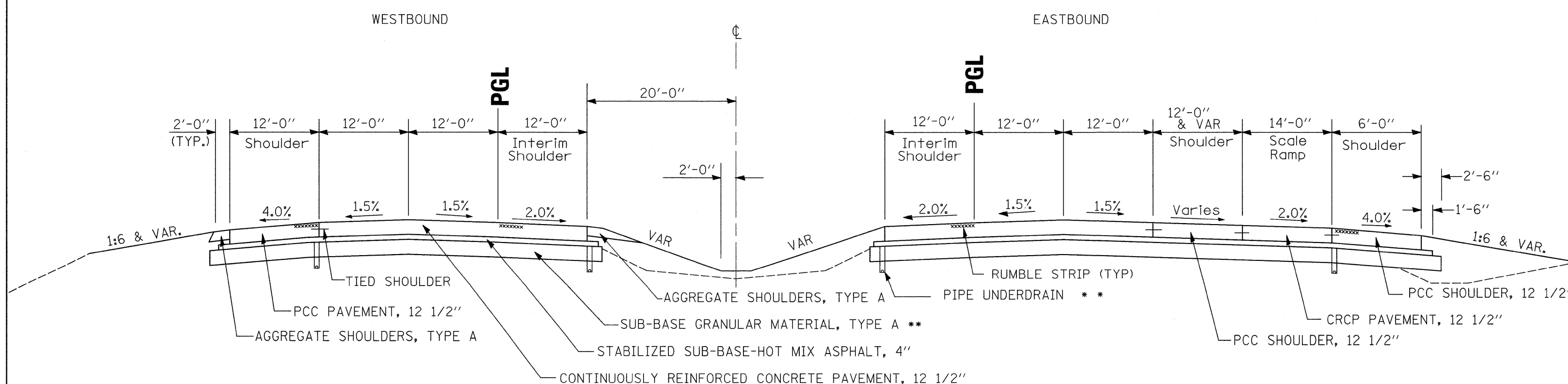
STA 153 + 00 TO STA 155 + 34



PROPOSED TYPICAL SECTION, NORMAL CROWN

N.T.S.

STA 155 + 34 TO STA 163 + 34



\*\* AS SCHEDULED

FILE NAME =	USER NAME = grantpm	DESIGNED -	REVISED -	<b>STATE OF ILLINOIS DEPARTMENT OF TRANSPORTATION</b>	<b>TYPICAL SECTIONS</b>			F.A.I. RTE. =	SECTION	COUNTY	TOTAL SHEETS	SHEET NO.
ca:\piv\work\piv\dot\grantpm\dms34287\d08403typ.dgn		DRAWN -	REVISED -					80	(81-1) R-1	ROCK ISLAND	292	21
PLOT SCALE = 100.0000' / IN.		CHECKED -	REVISED -					CONTRACT NO. 64933				
PLOT DATE = Mon Dec 15 09:24:02 2008		DATE -	REVISED -					ILLINOIS FED. AID PROJECT				
				SCALE:	SHEET NO.	OF SHEETS	STA.	TO STA.				