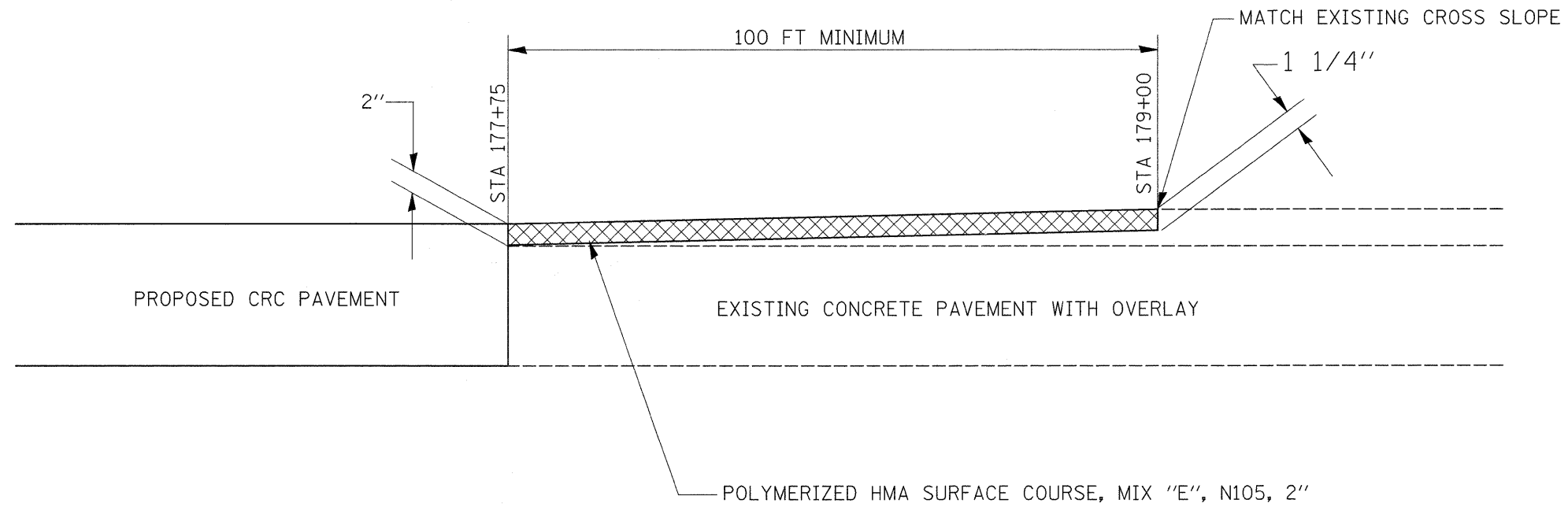
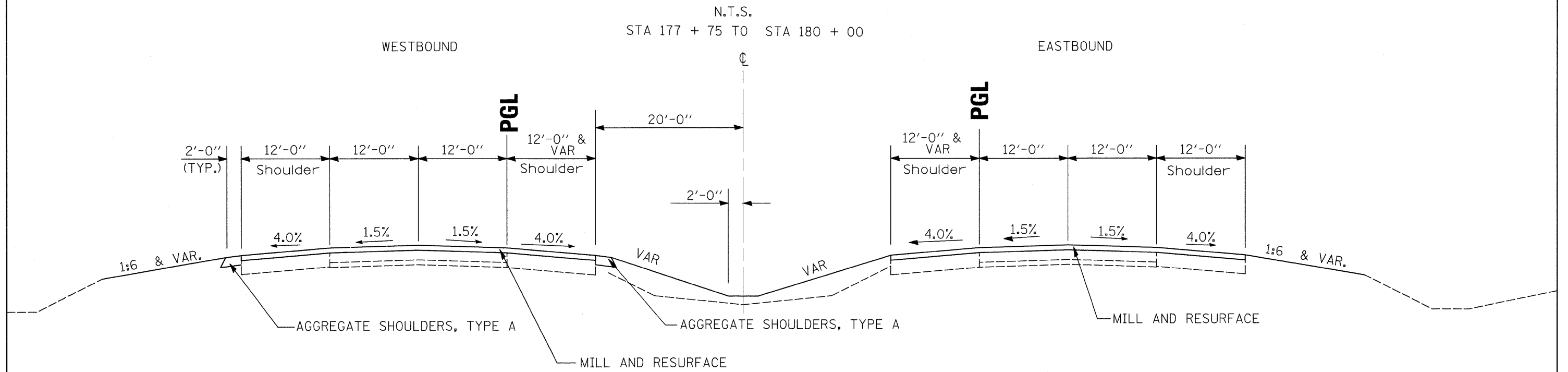


PROPOSED TYPICAL SECTION, NORMAL CROWN



\* 112 LBS/SQ. YD-IN/TON

FILE NAME =	USER NAME = grantpm	DESIGNED -	REVISED -	<b>STATE OF ILLINOIS DEPARTMENT OF TRANSPORTATION</b>	<b>TYPICAL SECTIONS</b>				F.A. RTE.	SECTION	COUNTY	TOTAL SHEETS	SHEET NO.		
os:\pw\work\pwi\dot\grantpm\dms34287\d08\03typ.dgn		DRAWN -	REVISED -		SCALE:	SHEET NO.	OF	SHEETS	STA.	TO STA.	80	(81-1) R-1	ROCK ISLAND	292	23
PLOT SCALE = 100.0000' / IN.		CHECKED -	REVISED -		CONTRACT NO. 64933										
PLOT DATE = Mon Dec 15 09:12:03 2008		DATE -	REVISED -		FED. ROAD DIST. NO. ILLINOIS FED. AID PROJECT										