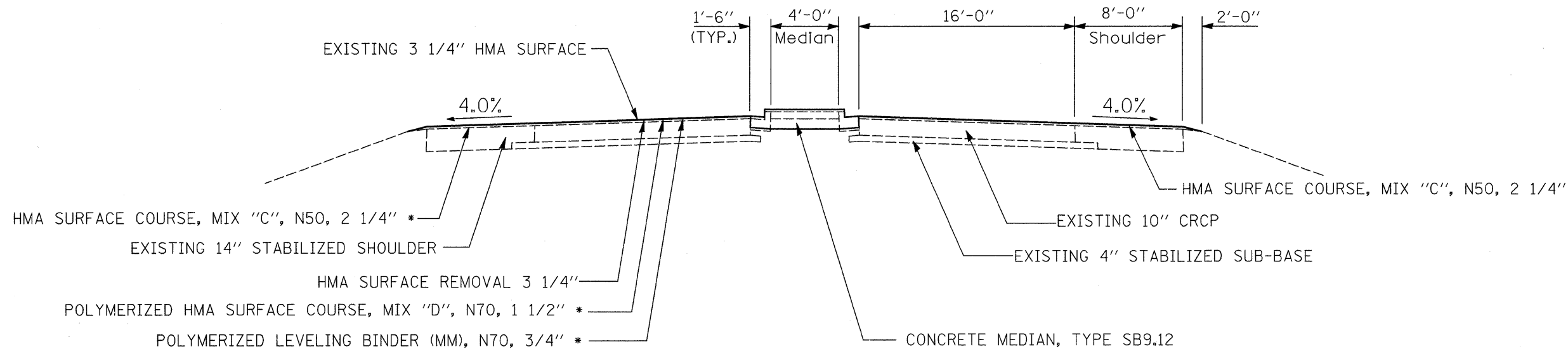
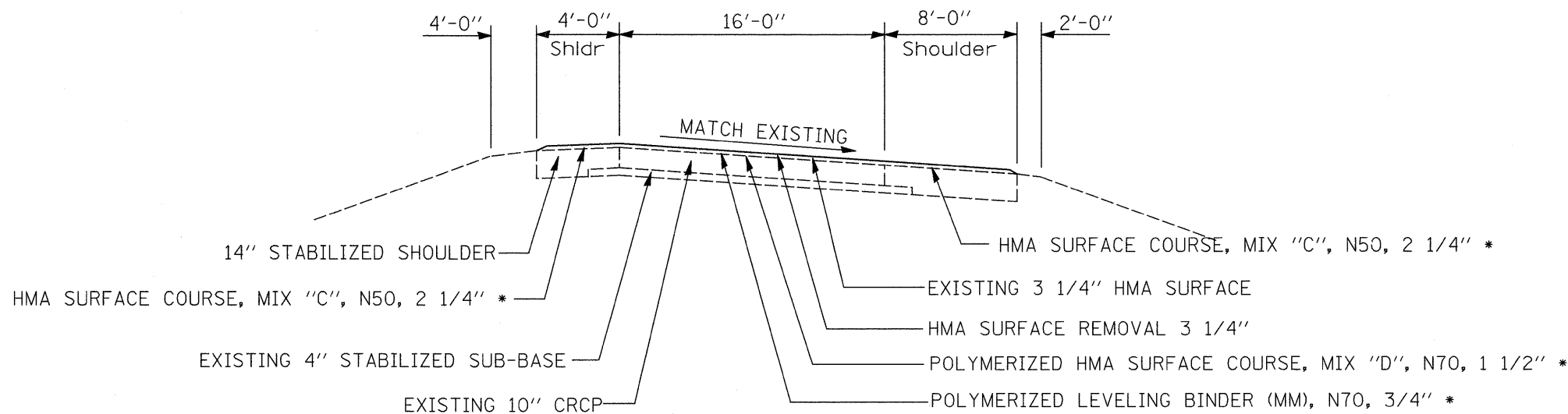


PROPOSED TYPICAL SECTION, IL 84 RAMP C & D

NORMAL SECTION



SUPERELEVATED SECTION



* 112 LBS/SQ. YD-IN/TON

FILE NAME =	USER NAME = grantpm	DESIGNED -	REVISED -	STATE OF ILLINOIS DEPARTMENT OF TRANSPORTATION	TYPICAL SECTIONS			F.A.I. RTE.	SECTION	COUNTY	TOTAL SHEETS	SHEET NO.
cr\pw\work\p\idot\grantpm\dms34287\d08403typ.dgn	PLOT SCALE = 100.0000' / IN.	DRAWN -	REVISED -					80	(81-1) R-1	ROCK ISLAND	292	25
	PLOT DATE = Mon Dec 15 09:12:05 2008	CHECKED -	REVISED -		SCALE: SHEET NO. OF SHEETS STA. TO STA.			CONTRACT NO. 64933				
		DATE -	REVISED -		FED. ROAD DIST. NO. ILLINOIS FED. AID PROJECT							