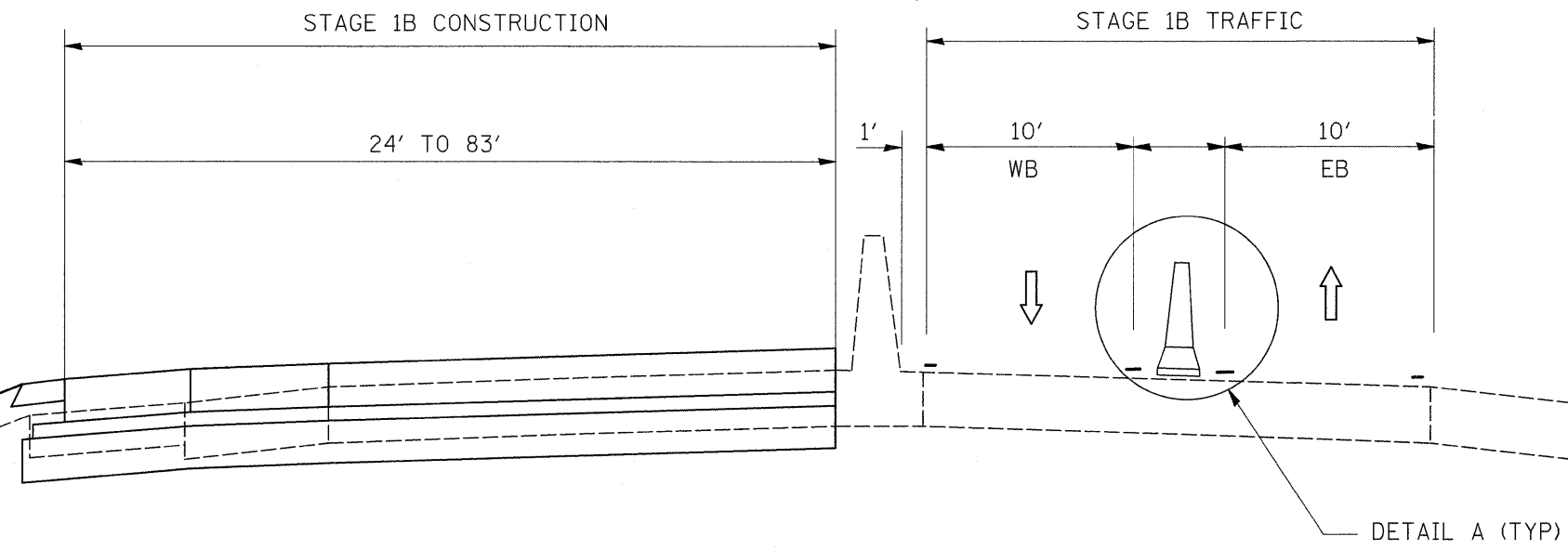


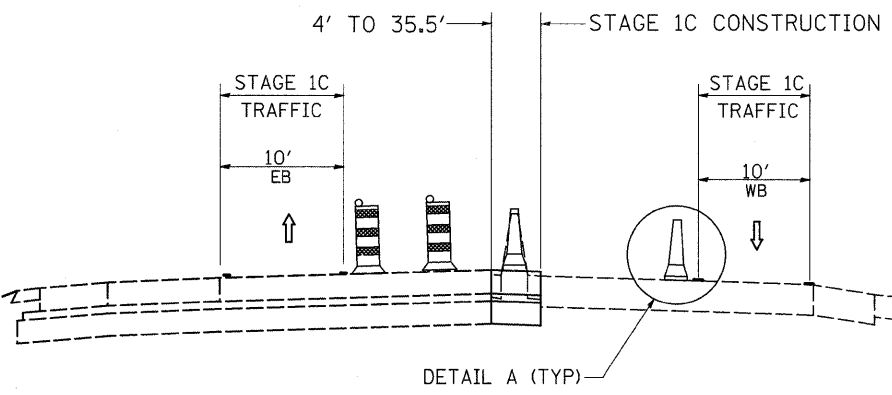
### STAGE 1B

STA 51+52 - STA 83+05



### STAGE 1C

STA 51+52 - STA 66+22



FILE NAME =	USER NAME = grantpm	DESIGNED -	REVISED -
os:\pwork\pwork\dot\grantpm\dms34287\d08403typ.dgn		DRAWN -	REVISED -
PLOT SCALE = 50.0000' / IN.		CHECKED -	REVISED -
PLOT DATE = Mon Dec 15 09:12:00 2008		DATE -	REVISED -

**STATE OF ILLINOIS  
DEPARTMENT OF TRANSPORTATION**

**STAGING TYPICALS**

SCALE: SHEET NO. OF SHEETS STA. TO STA.

F.A. RTE.	SECTION	COUNTY	TOTAL SHEETS	SHEET NO.
80	(81-1) R-1	ROCK ISLAND	292	27
FED. ROAD DIST. NO. ILLINOIS FED. AID PROJECT			CONTRACT NO. 64933	