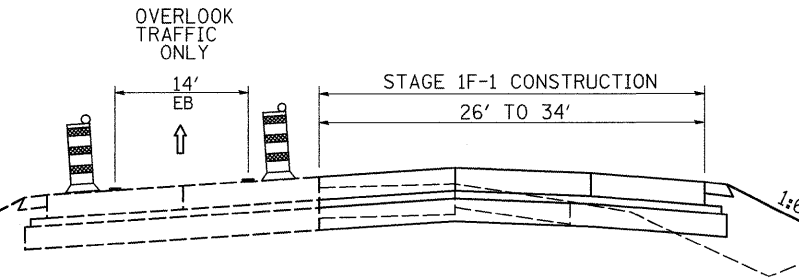
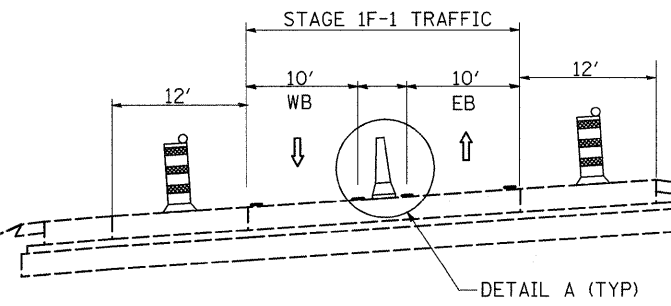


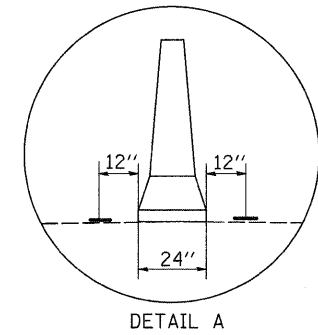
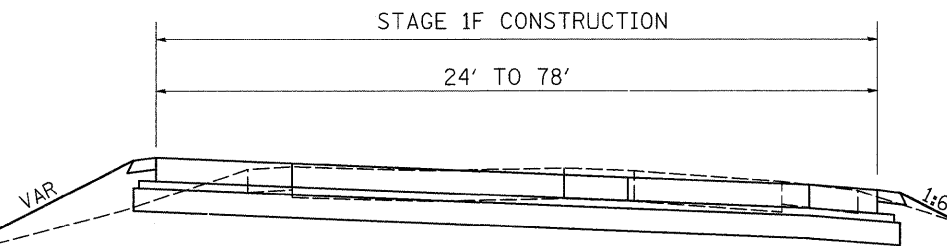
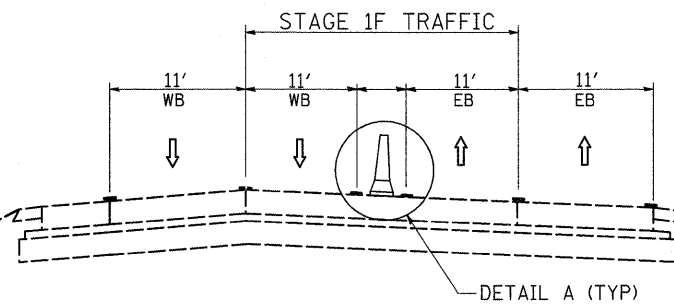
### STAGE 1E-1 & 1F-1

STA 83+55 - STA 91+92



### STAGE 1F

STA 83+55 - STA 177+75



FILE NAME =	USER NAME = grantpm	DESIGNED -	REVISED -	<b>STATE OF ILLINOIS DEPARTMENT OF TRANSPORTATION</b>	<b>STAGING TYPICALS</b>			F.A. RTE.	SECTION	COUNTY	TOTAL SHEETS	SHEET NO.
ea:\pwork\pwork\grantpm\dms34287\d08403typ.dgn	PLOT SCALE = 50.0000' / IN.	DRAWN -	REVISED -					80	(81-1) R-1	ROCK ISLAND	292	29
PLOT DATE = Mon Dec 15 09:12:05 2008	DATE -	CHECKED -	REVISED -		SCALE: SHEET NO. OF SHEETS STA. TO STA.			CONTRACT NO. 64933				
					FED. ROAD DIST. NO. ILLINOIS FED. AID PROJECT							