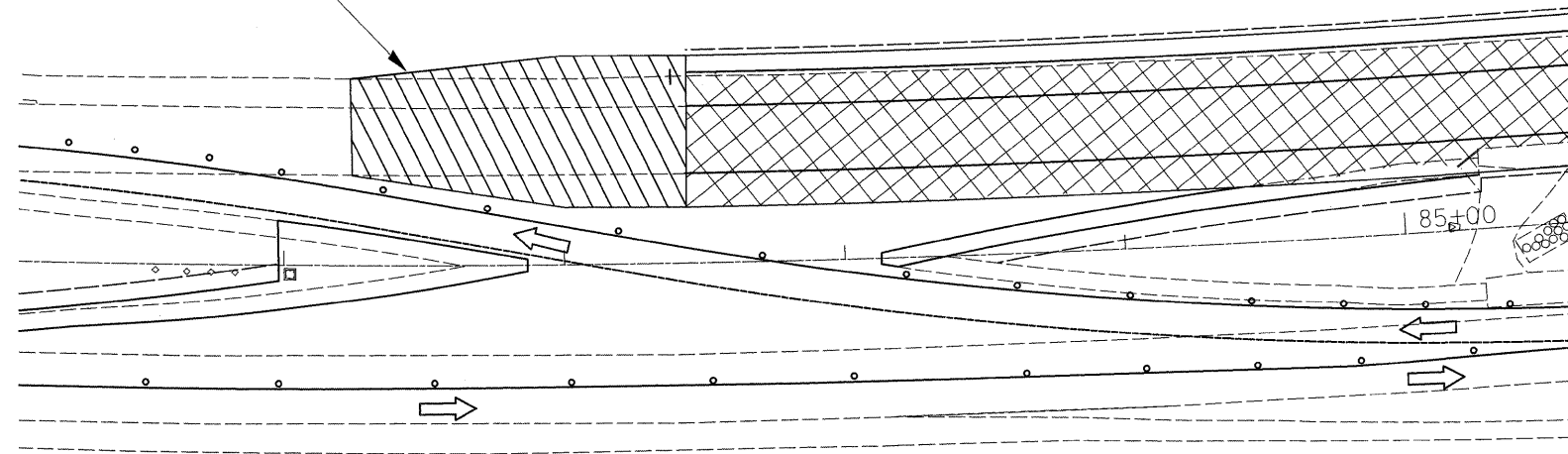
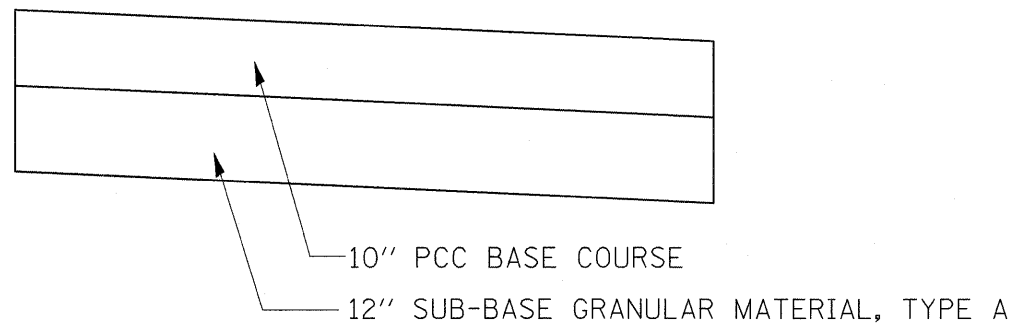


TEMPORARY PAVEMENT TAPER FOR STAGE 1

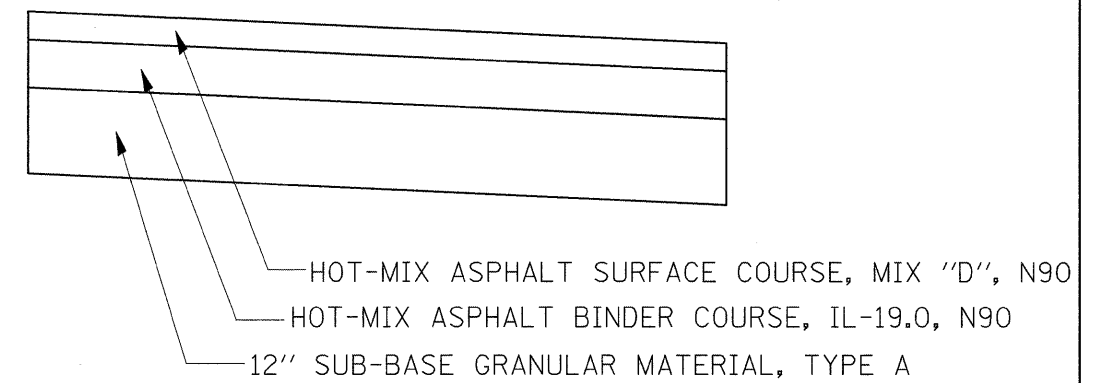
TEMPORARY PAVEMENT



RIDGID PAVEMENT OPTION

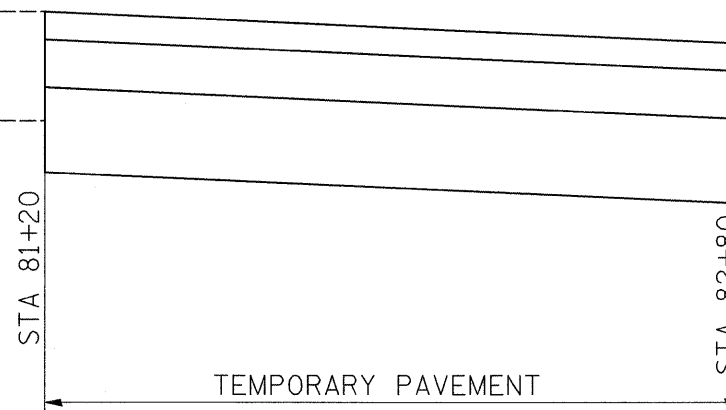


FLEXIBLE PAVEMENT OPTION



EXISTING PAVEMENT

NEW PAVEMENT BUILT IN STAGE 1



FILE NAME =	USER NAME = grantpm	DESIGNED -	REVISED -	STATE OF ILLINOIS DEPARTMENT OF TRANSPORTATION	TEMPORARY PAVEMENT			F.A.I. RTE.	SECTION	COUNTY	TOTAL SHEETS	SHEET NO.
os\piv\work\piv\dot\grantpm\dms34287\d08403typ.dgn	PLOT SCALE = 100.0000' / IN.	DRAWN -	REVISED -					80	(81-1) R-1	ROCK ISLAND	292	33
	PLOT DATE = Mon Dec 15 09:12:08 2008	CHECKED -	REVISED -		SCALE: SHEET NO. OF SHEETS STA. TO STA.			CONTRACT NO. 64933				
		DATE -	REVISED -		ILLINOIS FED. AID PROJECT							