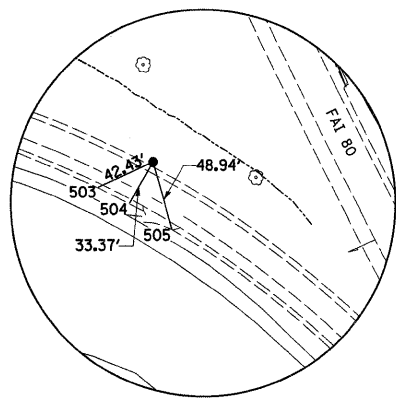
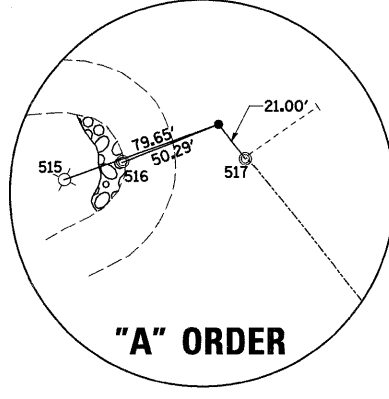


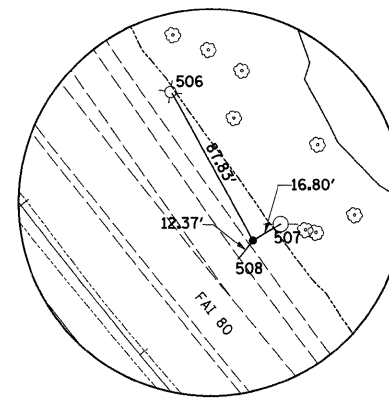
HORIZONTAL CONTROL
POINT No. 903300



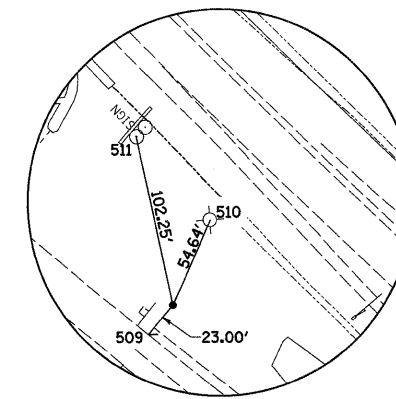
HORIZONTAL CONTROL
POINT No. 903264



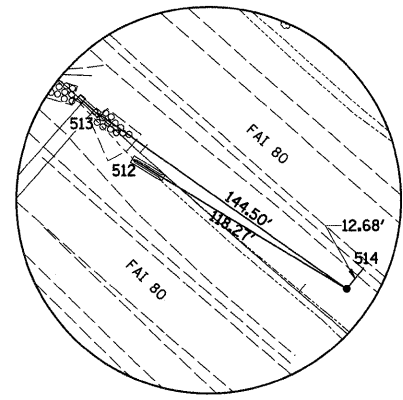
"A" ORDER
HORIZONTAL CONTROL
POINT No. 65723063
ROC80-1A



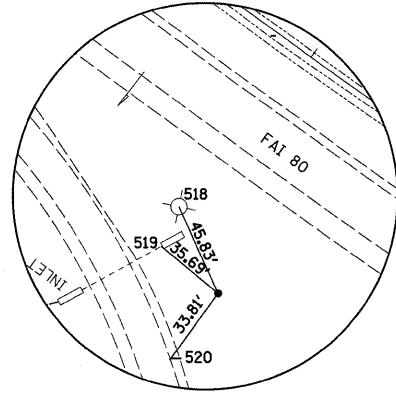
HORIZONTAL CONTROL
POINT No. 903262



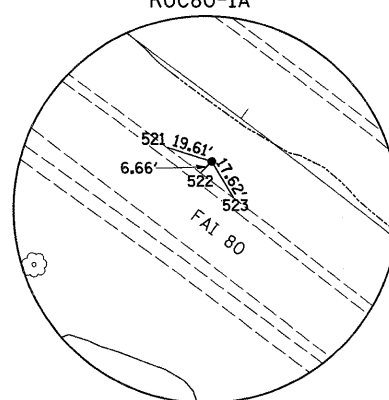
HORIZONTAL CONTROL
POINT No. 903302



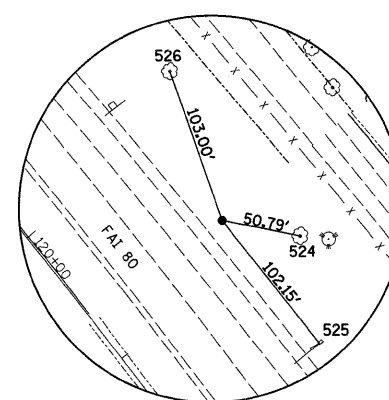
HORIZONTAL CONTROL
POINT No. 903303



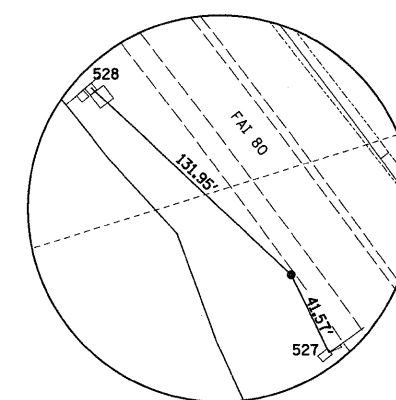
HORIZONTAL CONTROL
POINT No. 65723062
ROC80-1B



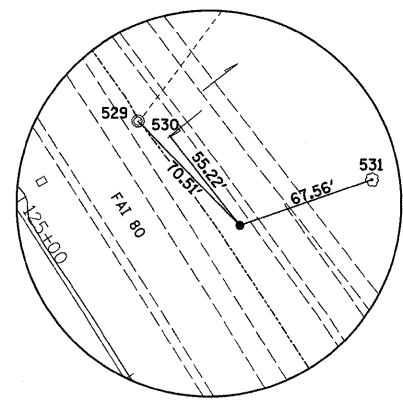
HORIZONTAL CONTROL
POINT No. 903306



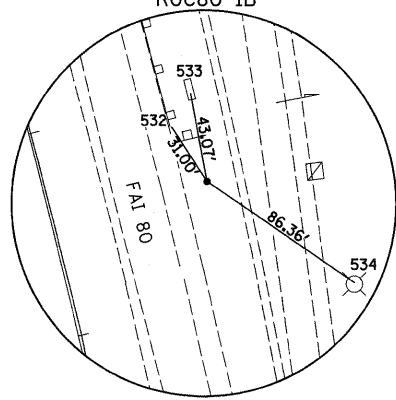
HORIZONTAL CONTROL
POINT No. 903307



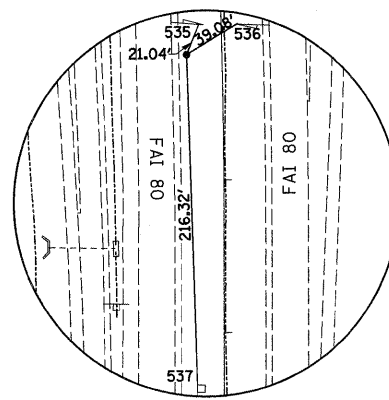
HORIZONTAL CONTROL
POINT No. 903308



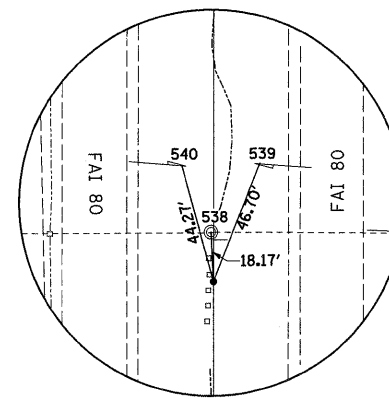
HORIZONTAL CONTROL
POINT No. 903251



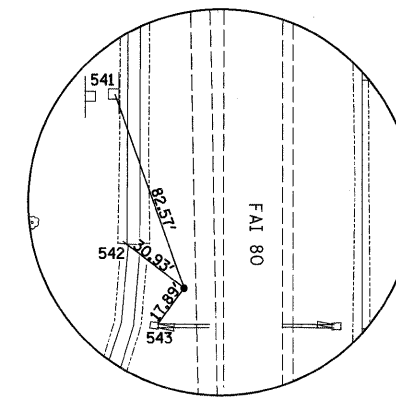
HORIZONTAL CONTROL
POINT No. 903310



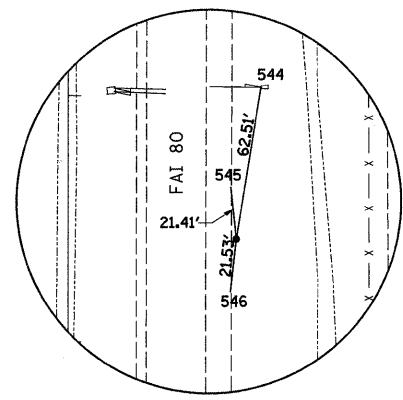
HORIZONTAL CONTROL
POINT No. 903311



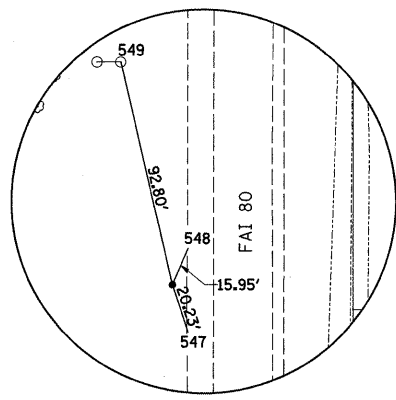
HORIZONTAL CONTROL
POINT No. 903312



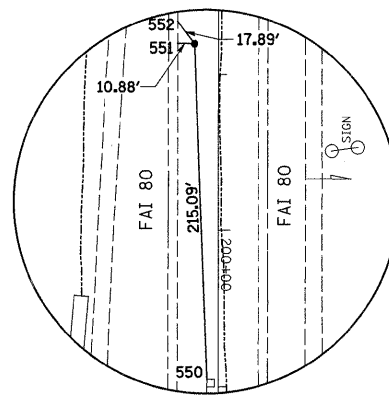
HORIZONTAL CONTROL
POINT No. 903313



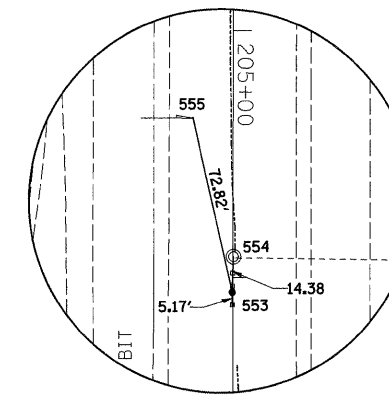
HORIZONTAL CONTROL
POINT No. 903314



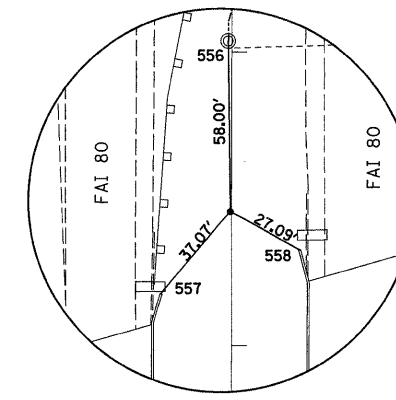
HORIZONTAL CONTROL
POINT No. 903315



HORIZONTAL CONTROL
POINT No. 903316



HORIZONTAL CONTROL
POINT No. 903317



HORIZONTAL CONTROL
POINT No. 903318

FILE NAME =	USER NAME = grantpm	DESIGNED =	REVISED =	STATE OF ILLINOIS DEPARTMENT OF TRANSPORTATION	EXISTING HORIZONTAL & VERTICAL CONTROL	F.A.I. RTE.	SECTION	COUNTY	TOTAL SHEETS	SHEET NO.	
ot\pw_work\p\p\dot\grantpm\dms34287\d0803hvc.dgn		DRAWN =	REVISED =			80	(81-1) R-1	ROCK ISLAND	292	58	
PLOT SCALE = 500.0000 / IN.		CHECKED =	REVISED =			SCALE:		SHEET NO. OF SHEETS STA. TO STA.		CONTRACT NO. 64933	
PLOT DATE = Mon Dec 15 08:59:36 2008		DATE =	REVISED =					FED. ROAD DIST. NO. ILLINOIS FED. AID PROJECT			