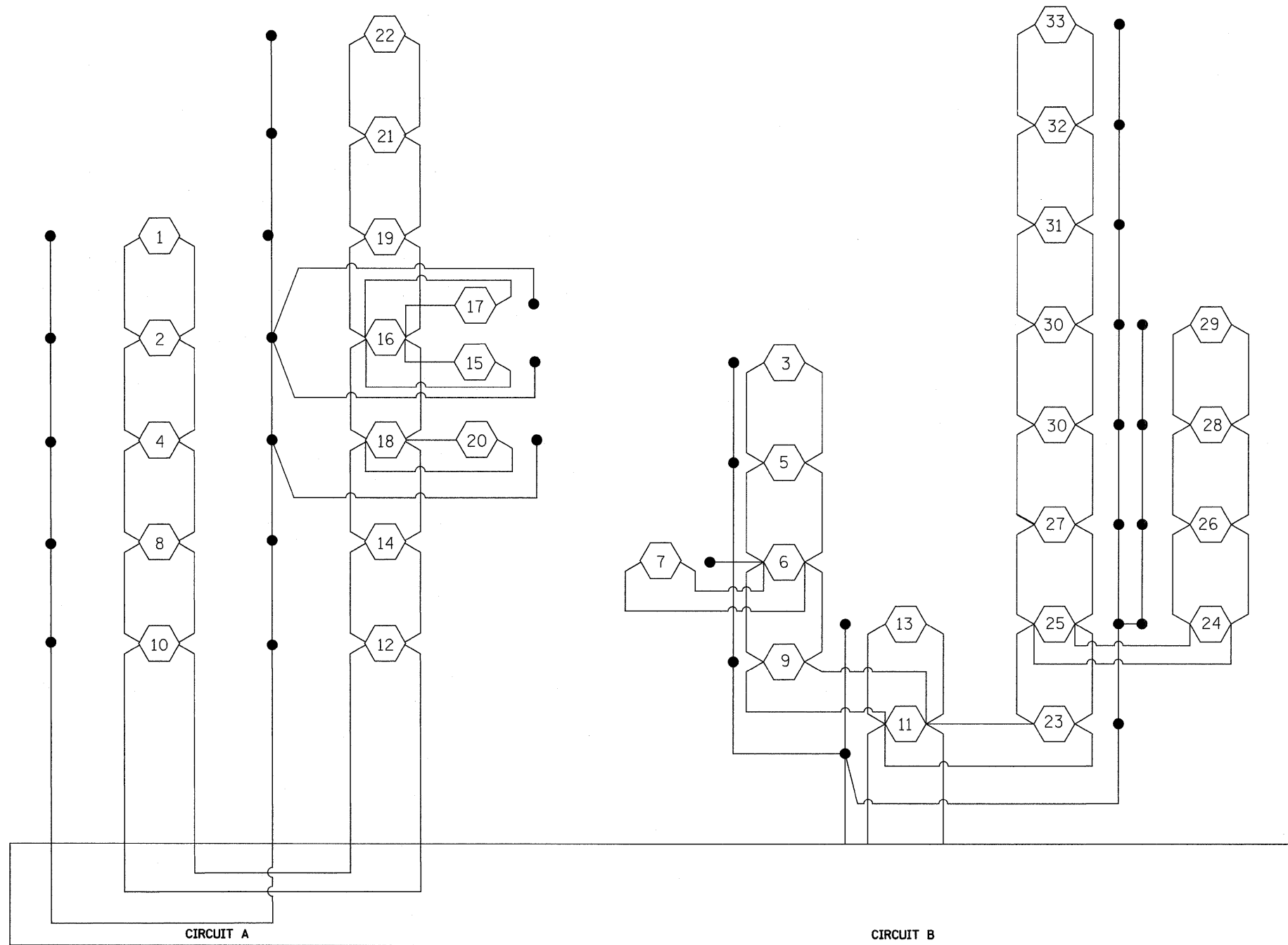


I-80/IL 84 INTERCHANGE
 CBRCS 100-480
 LIGHTING CIRCUIT FROM THE ORIGINAL LIGHTING PLAN DATED 1973
 FOR ALL OTHER SYSTEM WITHIN THIS PROJECT
 CONTACT KYLE LORENZ WITH THE IL DEPT. OF TRANS. (815-284-5469)



FILE NAME =	USER NAME = grantpm	DESIGNED -	REVISED -
ct:\pw_work\p\idot\grantpm\dms34287\1d08403elec.dgn		DRAWN -	REVISED -
		CHECKED -	REVISED -
		DATE -	REVISED -

**STATE OF ILLINOIS
 DEPARTMENT OF TRANSPORTATION**

I-80 ELECTRICAL DETAILS			
SCALE:	SHEET NO.	OF SHEETS	STA. TO STA.

F.A.I. RTE.	SECTION	COUNTY	TOTAL SHEETS	SHEET NO.
80	(81-1R-1)	ROCK ISLAND	292	165
FED. ROAD DIST. NO. ILLINOIS FED. AID PROJECT			CONTRACT NO. 64933	