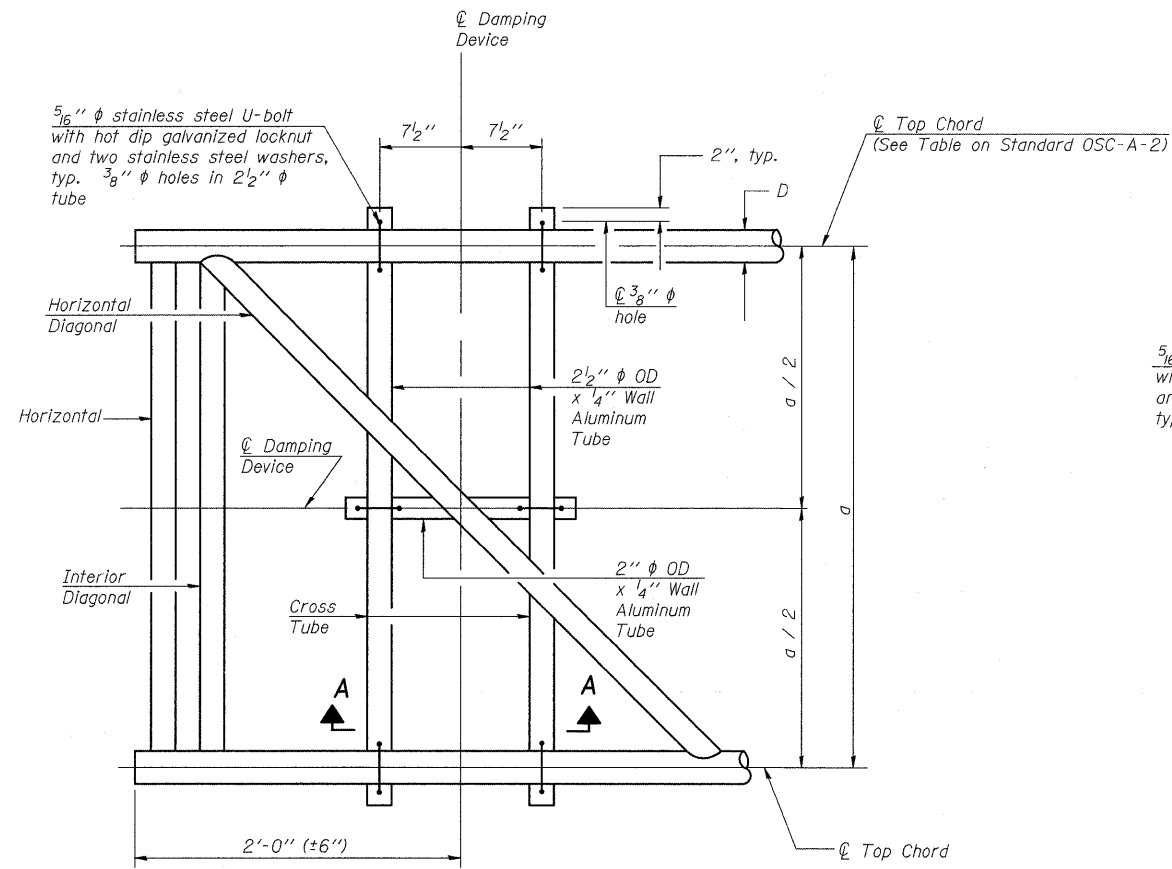
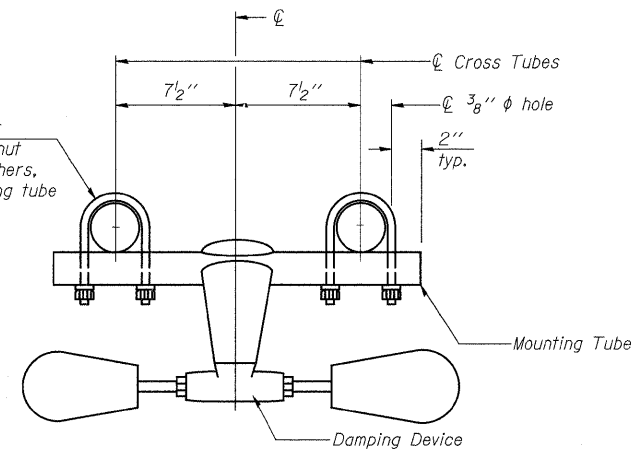


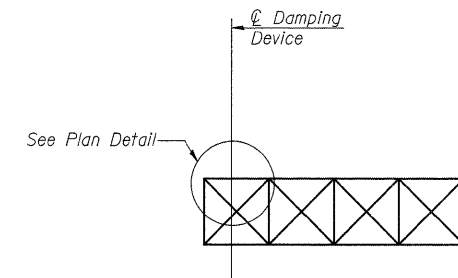
Mon, Dec 15 08:26:09 2008 \$NAME\$



**PLAN DETAIL**

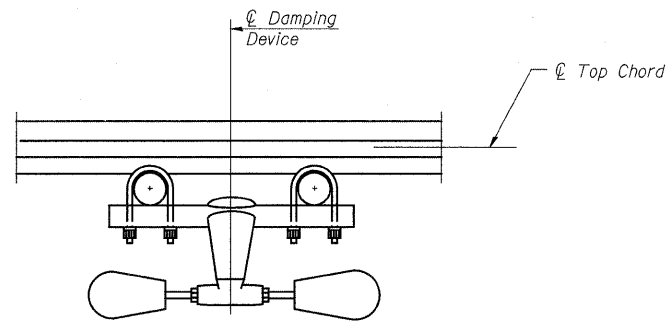


**TRUSS DAMPING DEVICE CONNECTION DETAIL**

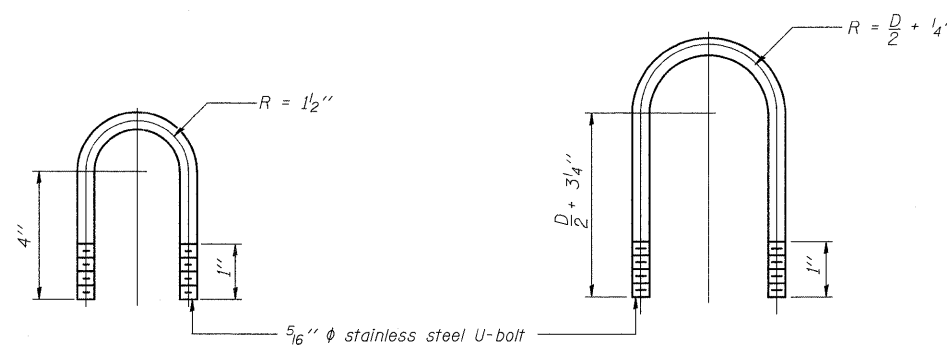


**ELEVATION**  
Aluminum Cantilever Sign Structure

Damper: One damper per truss. (31 lbs. Stockbridge-Type Aluminum)  
Materials: Aluminum tubes shall be ASTM B221 alloy 6061 temper T6



**SECTION A-A**



**DAMPING DEVICE MOUNTING TUBE U-BOLT DETAIL**  
(Typical)

**TOP CHORD TO CROSS TUBE U-BOLT DETAIL**  
(Typical)

**CANTILEVER SIGN STRUCTURE DAMPING DEVICE**

SHEET NO. 3 OF 9

OSC-A-D 5/16/08

DESIGNED	E. Mroczek
CHECKED	-
DRAWN	M. Balog
CHECKED	E. Mroczek



**Giorba Group, Inc.**  
CONSULTING ENGINEERS

5507 North Cumberland Avenue, Suite 402 Chicago, Illinois 60656  
Tel. 773.775.4009 Fax 773.775.4014 Email chicago@giorba.com

FILE NAME =	USER NAME = grantpm	DESIGNED =	REVISED =	<b>STATE OF ILLINOIS DEPARTMENT OF TRANSPORTATION</b>	<b>SIGN STRUCTURE DETAILS</b>	F.A.I. RTE.	SECTION	COUNTY	TOTAL SHEETS	SHEET NO.
c:\pwork\pwork\grantpm\dms34287\0803signstruc.dgn	3signstruc.dgn	DRAWN =	REVISED =			80	(81-1R-1)	ROCK ISLAND	292	174
PLOT SCALE = 5.0000 "/>										
PLOT DATE = Mon Dec 15 08:26:09 2008	DATE =	REVISED =	REVISED =			CONTRACT NO. 64933				
SCALE: SHEET NO. OF SHEETS STA. TO STA.						FED. ROAD DIST. NO. ILLINOIS FED. AID PROJECT				