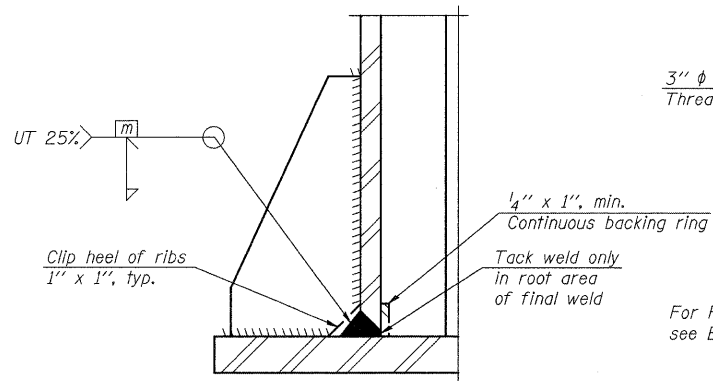
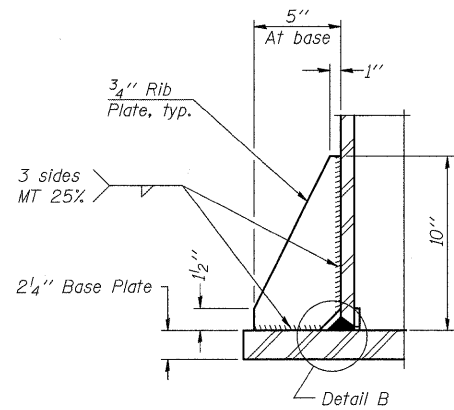
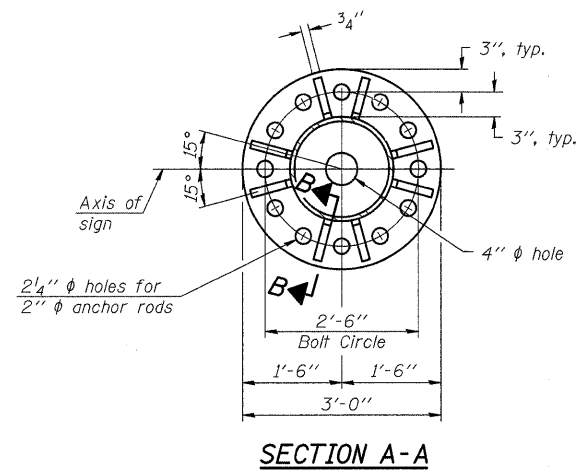
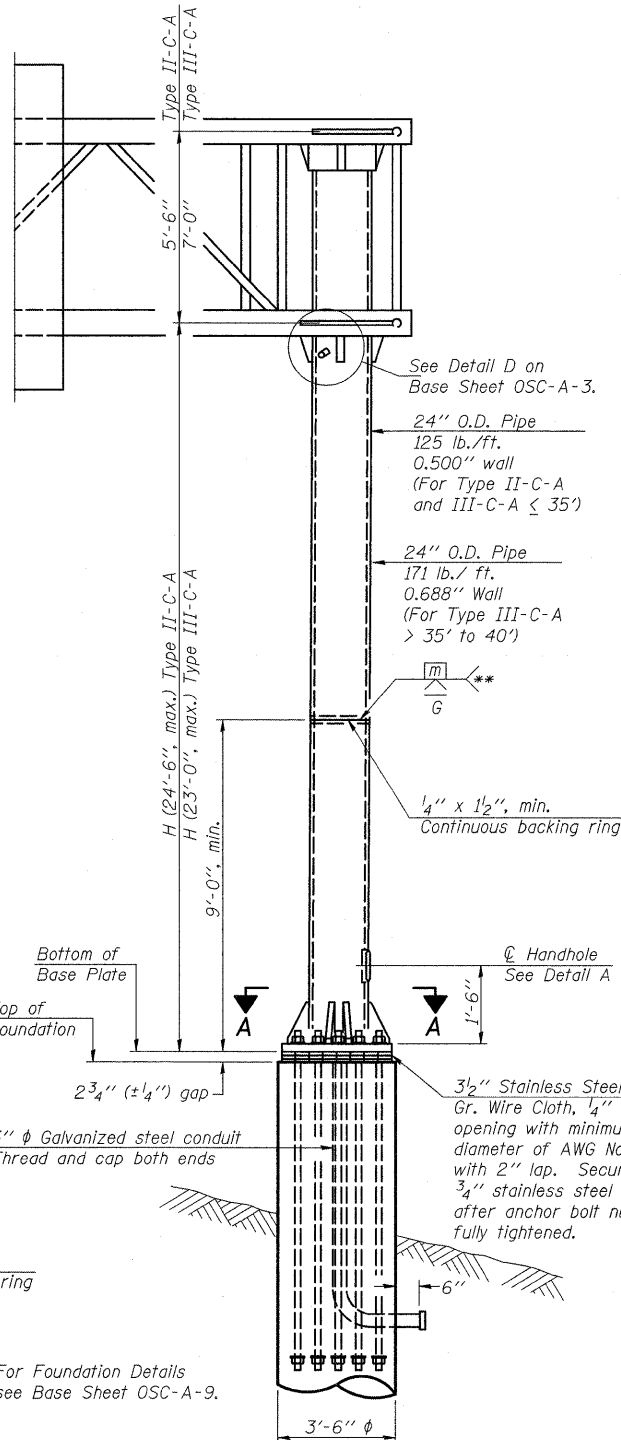


Mon, Dec 15 08:26:11 2008 \$NAME\$

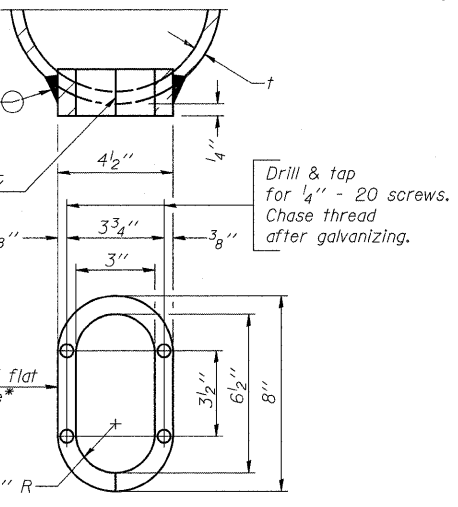
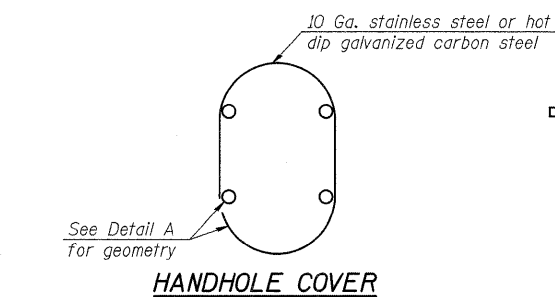


DETAIL B
(Typical rib)



FRONT ELEVATION

NUMBER	REVISION	DATE



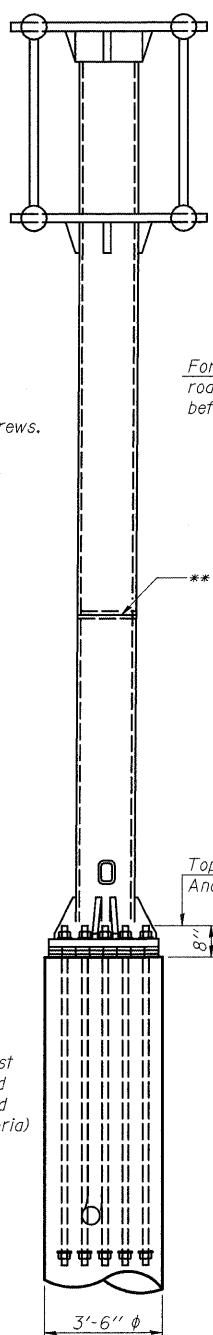
DETAIL A

* Bent bars may be butt welded top and bottom or bottom only. In lieu of fabricated handhole frame as shown, may cut from 2" plate (rolling direction vertical). All cut faces to be ground to ANSI Roughness of 500 μ m or less.

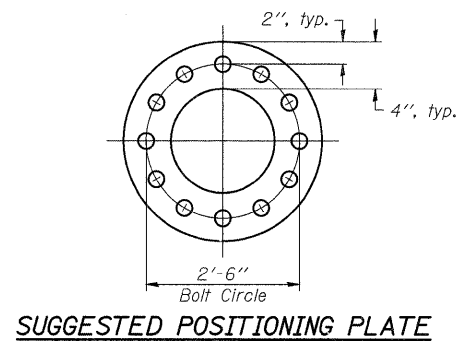
** Butt welded joint in post is only allowed for post heights (H) over 20 ft. in length. If used, weld procedure must be preapproved by Engineer and joint shall receive 100% RT or UT (tension criteria) at Contractor's expense.

Structure Number	Station	H
2C0811080R000.4	55+40.00	23' - 0"

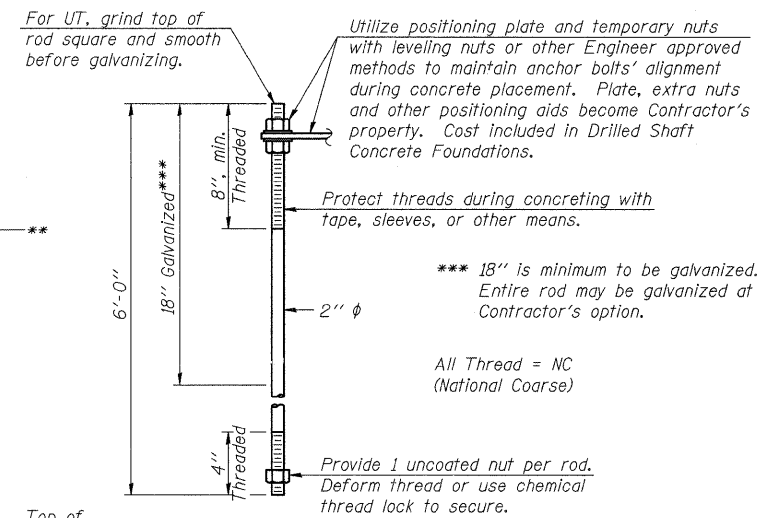
Note: "H" based on 15'-0" or actual sign height, whichever is greater.



SIDE ELEVATION



SUGGESTED POSITIONING PLATE



ANCHOR ROD DETAIL

Anchor rods shall conform to AASHTO M314 Grade 55 and meet Charpy V-Notch (CVN) energy of 15 lb.-ft. at 10° F. before galvanizing. Galvanize the upper 18" (minimum***) and associated M291, Grade A, C or DH heavy hex nuts and hardened washers per AASHTO M232. No welding shall be permitted on rods. Provide an unfinished nut at bottom, a hexagon locknut and washer above base plate and a leveling nut and washer below base plate. Nuts shall each be tightened with 200 lb.-ft. minimum torque against base plate. Before or after threading, but before galvanizing, each anchor rod shall be ultrasonically tested (UT) by a Level II or III inspector, qualified in accord with ANSI guidelines, using a straight beam, 1/2" ϕ 3.5 mhz. transducer, to insure no rejectable flaws exist in the upper 18" (tension criteria). Cost of testing included in Drilled Shaft Concrete Foundations.

*** 18" is minimum to be galvanized. Entire rod may be galvanized at Contractor's option.

All Thread = NC (National Coarse)

Provide 1 uncoated nut per rod. Deform thread or use chemical thread lock to secure.

Utilize positioning plate and temporary nuts with leveling nuts or other Engineer approved methods to maintain anchor bolts' alignment during concrete placement. Plate, extra nuts and other positioning aids become Contractor's property. Cost included in Drilled Shaft Concrete Foundations.

Protect threads during concreting with tape, sleeves, or other means.

**CANTILEVER SIGN STRUCTURES
TYPE II-C-A & III-C-A TRUSS SUPPORT POST
ALUMINUM TRUSS & STEEL POST**

OSC-A-5 5/16/08

DESIGNED	E. Mroczek
CHECKED	-
DRAWN	M. Balog
CHECKED	E. Mroczek

CG **Ciorba Group, Inc.**
CONSULTING ENGINEERS
5507 North Cumberland Avenue, Suite 402 Chicago, Illinois 60656
Tel. 773.775.4009 Fax 773.775.4014 Email chicago@ciorba.com

**STATE OF ILLINOIS
DEPARTMENT OF TRANSPORTATION**

SIGN STRUCTURE DETAILS

FILE NAME =	USER NAME = grantpm	DESIGNED =	REVISED =	F.A.I. RTE. =	SECTION =	COUNTY =	TOTAL SHEETS =	SHEET NO. =
at:\work\pwsidot\grantpm\dms34287\d0843signstruc.dgn		DRAWN =	REVISED =	80	(81-1R-1)	ROCK ISLAND	292	176
PLOT SCALE = 5.0000' / IN.		CHECKED =	REVISED =					
PLOT DATE = Mon Dec 15 08:26:11 2008		DATE =	REVISED =					
				SCALE:	SHEET NO. OF SHEETS	STA. TO STA.	FED. ROAD DIST. NO. [ILLINOIS] FED. AID PROJECT	
							CONTRACT NO. 64933	