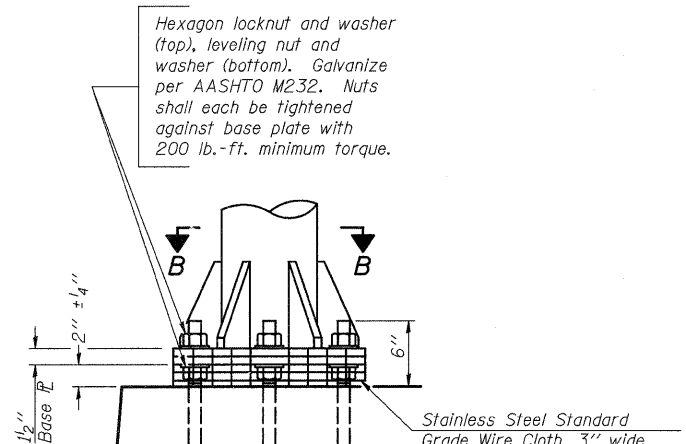
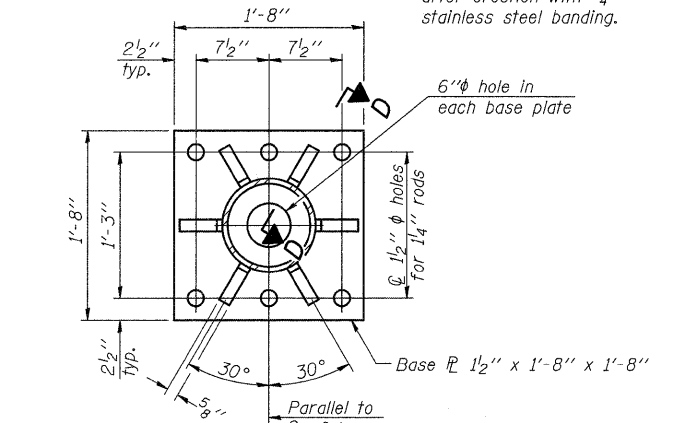


Mon Dec 15 08:26:20 2008 \$NAME\$



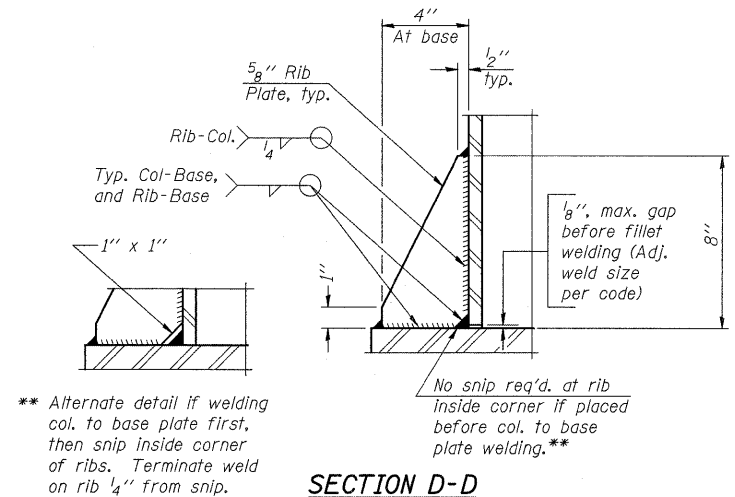
DETAIL B

Ribs shall be cut to fit slope of pipe.



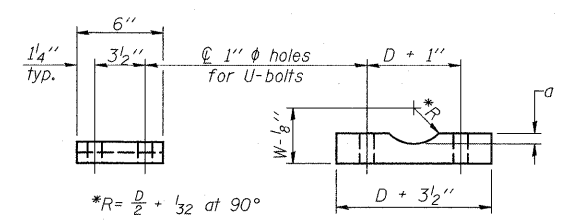
SECTION B-B

NUMBER	REVISION	DATE



SECTION D-D

** Alternate detail if welding col. to base plate first, then snip inside corner of ribs. Terminate weld on rib 1/4" from snip.

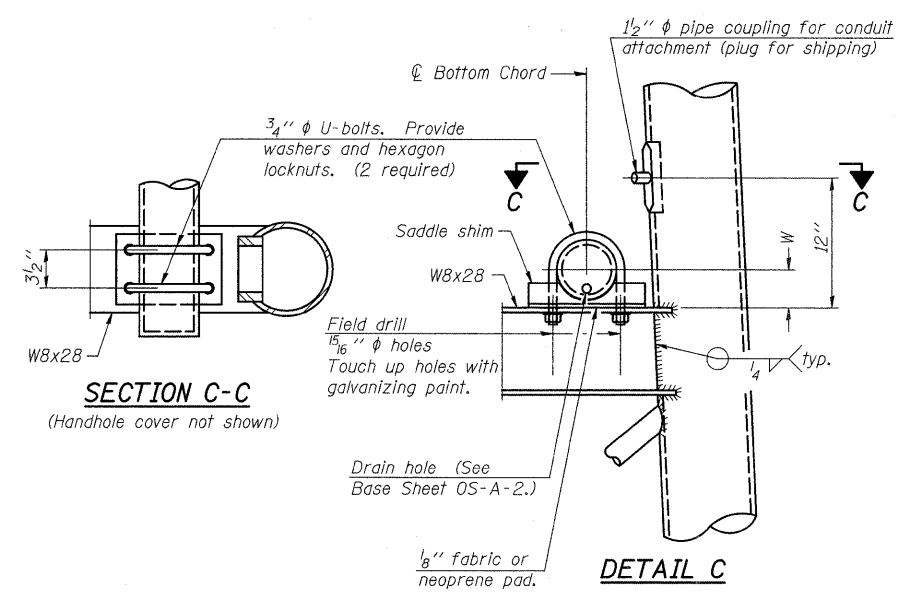


SADDLE SHIM DETAIL

D = Outside Diameter of Chord.
For W, see Base Sheet OS-A-6.

ASTM B26 Alloy 356-F
or
ASTM B209 Alloy 6061-T651
(4 required per sign truss)

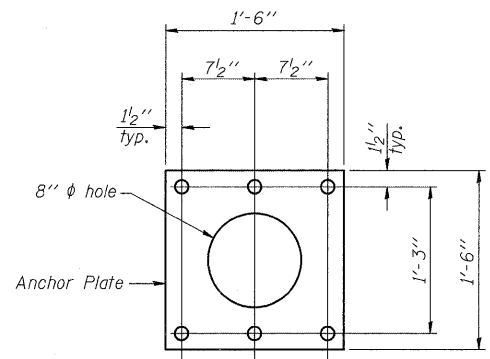
Truss Chord Nominal Dia.	a
5"	3/4"
5 1/2"	13/16"
6"	7/8"
6 1/2"	15/16"
7"	1"



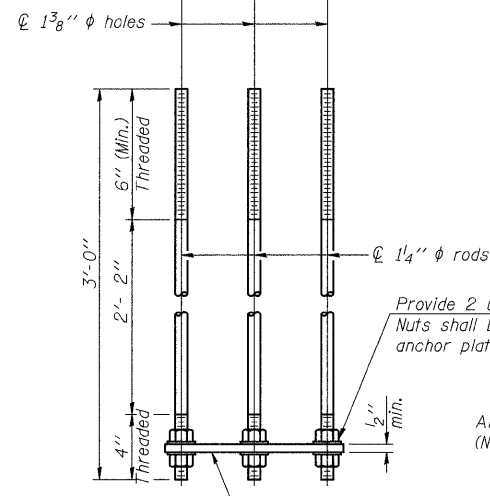
SECTION C-C

(Handhole cover not shown)

DETAIL C



Anchor Plate

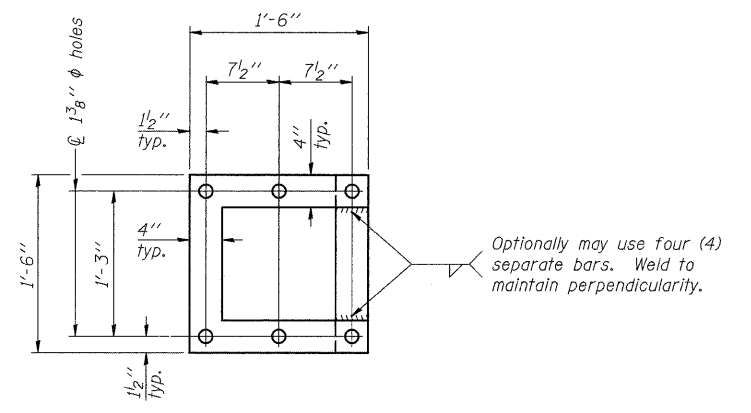


ANCHOR ROD DETAIL

Spread Footing Foundation

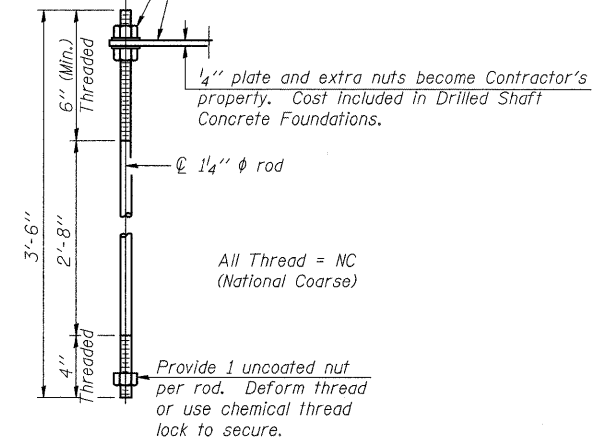
Anchor rods shall conform to AASHTO M314 Grade 36 or 50 and meet Charpy V-Notch (CVN) energy of 15 lb.-ft. at 40° F. Galvanize upper 12" per AASHTO M232. No welding shall be permitted on rods.

10" PIPE SUPPORT FRAME DETAILS



POSITIONING PLATE(S)

At each location, provide 1/4" thick positioning plate(s) and six (6) additional nuts to be used with leveling nuts to maintain anchor bolts position during concrete placement.



ANCHOR ROD DETAIL

Drilled Shaft Foundation

**OVERHEAD SIGN STRUCTURES
SUPPORT FRAME DETAILS ALUMINUM TRUSS**

OS-A-6A 5/16/08

DESIGNED	E. Mroczek
CHECKED	-
DRAWN	M. Balog
CHECKED	E. Mroczek

FILE NAME =	USER NAME = grantpm	DESIGNED -	REVISED -	STATE OF ILLINOIS DEPARTMENT OF TRANSPORTATION	SIGN STRUCTURE DETAILS	F.A.I. RTE.	SECTION	COUNTY	TOTAL SHEETS	SHEET NO.	
os:\pw_work\pwidot\grantpm\dms34287\d0843signstruc.dgn	PLOT SCALE = 5.0000' / IN.	DRAWN -	REVISED -			80	(81-1)R-1	ROCK ISLAND	292	186	
PLOT DATE = Mon Dec 15 08:26:20 2008	DATE -	CHECKED -	REVISED -			SCALE: SHEET NO. OF SHEETS STA. TO STA.		FED. ROAD DIST. NO. ILLINOIS FED. AID PROJECT			
						CONTRACT NO. 64933					