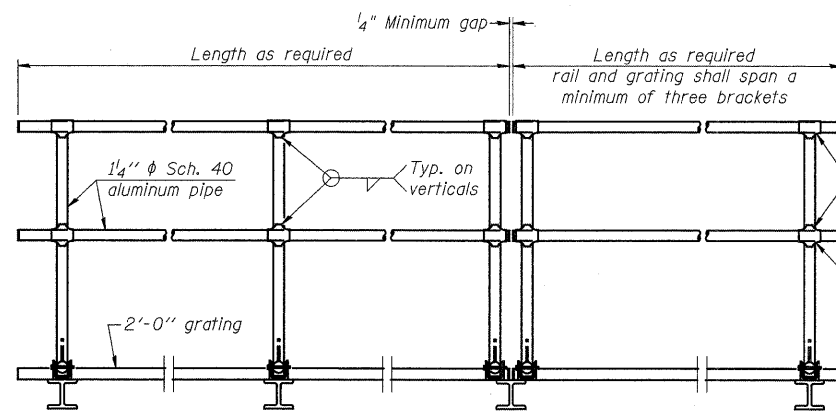


SIDE ELEVATION
(Showing safety chain w/o sign)

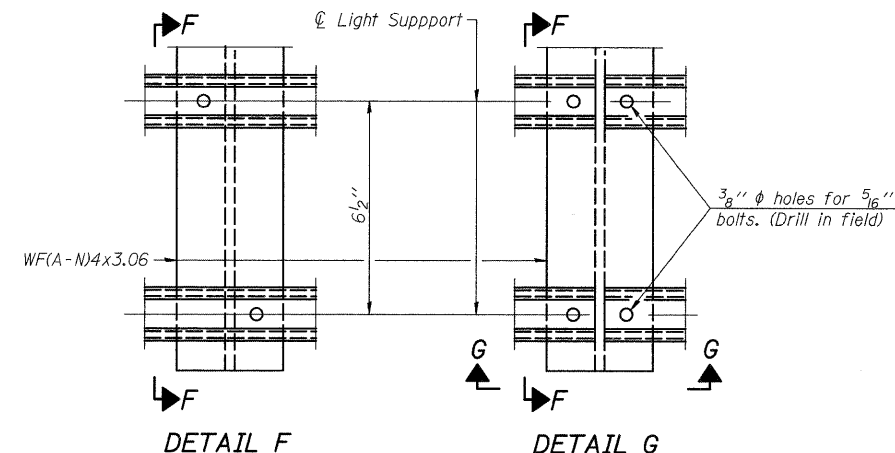


FRONT ELEVATION

HANDRAIL DETAILS

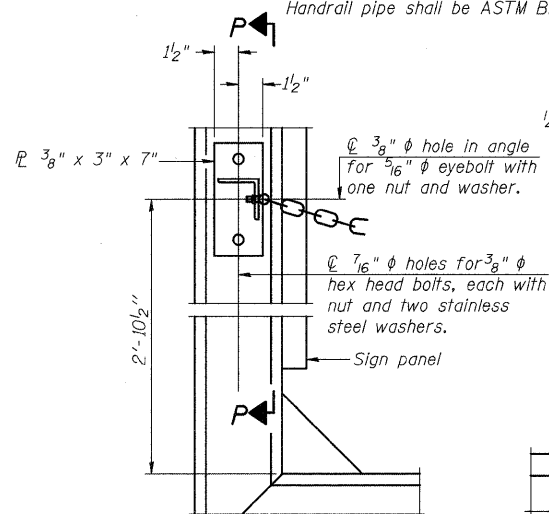
Handrail pipe shall be ASTM B241 or B429, Alloy 6063-T6 or Alloy 6061-T6.

- ① Install standard force-fit end caps or weld 1/8" end plates with 1/8" c.f.w. and grind smooth. (All rail ends)
② Horizontal handrail member shall be continuous thru fitting. Provide 1/16" hole in fitting for 3/8" bolt. Field drill 1/16" hole in horizontal rail member. Provide locknut and two stainless steel washers for bolt. (Use 5/16" eyebolts in 1/16" holes on top rail at ends only.)



DETAIL F

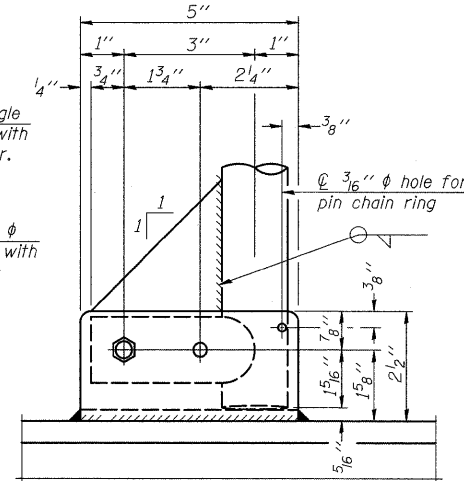
DETAIL G



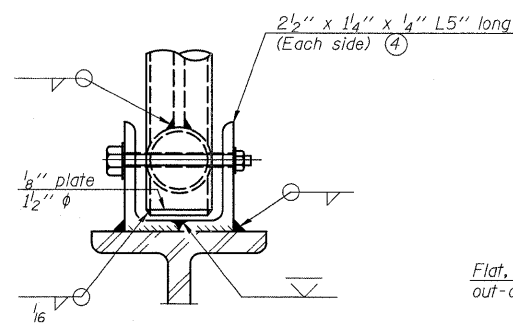
ALTERNATE SAFETY CHAIN ATTACHMENT

(With Sign Present)

Items not shown same as "Side Elevation" of "Handrail Details"

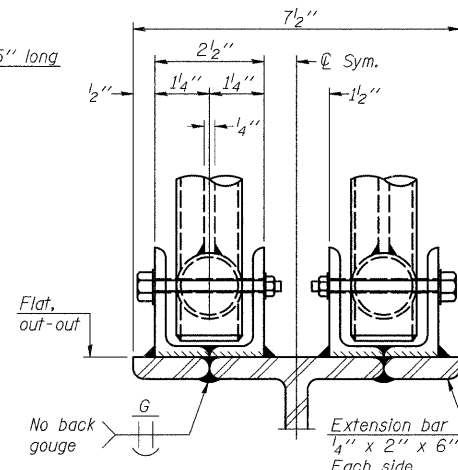


SIDE ELEVATION

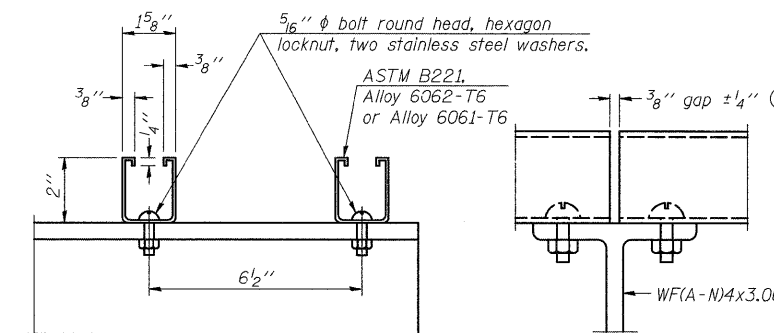


FRONT ELEVATION

See "Elevation" at right for dimensions.



ELEVATION AT HANDRAIL JOINT ④

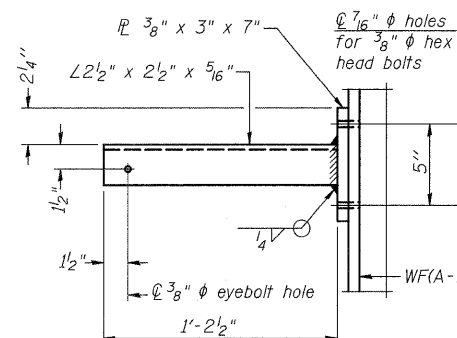


SECTION F-F

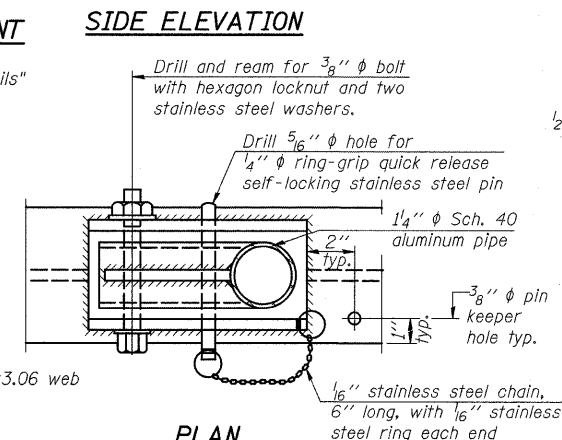
SECTION G-G

LIGHTING FIXTURE MOUNTS (IF REQUIRED)

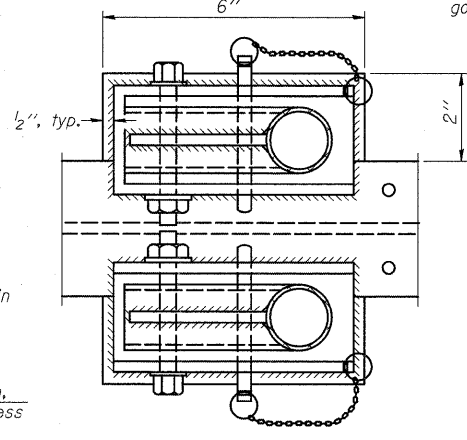
- ⑤ Field cut ends of light support channels shall be free of burrs or hazardous projections and coated with zinc-rich primer or equivalent.



SECTION P-P

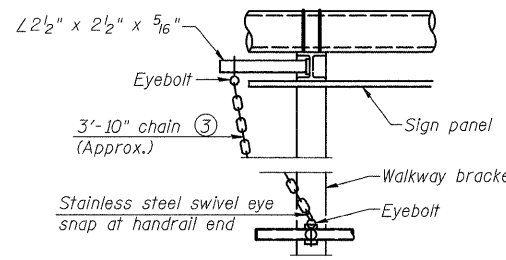


PLAN DETAIL E HANDRAIL HINGE



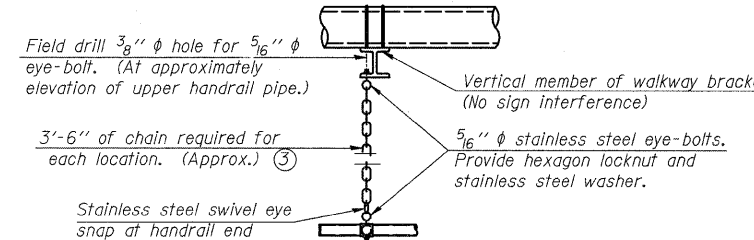
PLAN AT HANDRAIL JOINT

Details not shown same as "PLAN"



ALTERNATE SAFETY CHAIN ATTACHMENT

Details not shown similar to "Safety Chain" Details (Walkway omitted for clarity)



SAFETY CHAIN

One required for each end of each walkway.

OVERHEAD SIGN STRUCTURES ALUMINUM HANDRAIL DETAILS

- ③ 3/16" Type 304L stainless steel chain, approximately 12 links per foot.

- ④ Extrusions may be used in lieu of the details shown, with approval of the Engineer.

OS-A-11 5/16/08

DESIGNED	E. Mroczek
CHECKED	-
DRAWN	M. Balog
CHECKED	E. Mroczek



Ciorba Group, Inc.
CONSULTING ENGINEERS
5507 North Cumberland Avenue, Suite 402 Chicago, Illinois 60656
Tel. 773.775.4009 Fax 773.775.4014 Email chicago@ciorba.com

NUMBER	REVISION	DATE

STATE OF ILLINOIS
DEPARTMENT OF TRANSPORTATION

SIGN STRUCTURE DETAILS

SCALE: SHEET NO. OF SHEETS STA. TO STA.

F.A.I. RTE.	SECTION	COUNTY	TOTAL SHEETS	SHEET NO.
80	(81-1)R-1	ROCK ISLAND	292	189
FED. ROAD DIST. NO. ILLINOIS FED. AID PROJECT			CONTRACT NO. 64933	

SHEET NO. 9 OF 11

FILE# Mon Dec 15 08:26:23 2008 #NAME\$