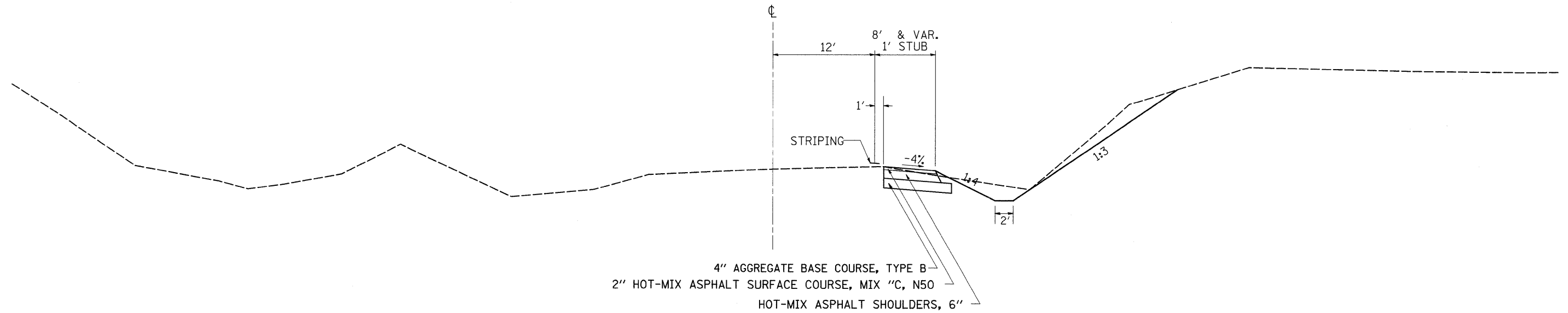
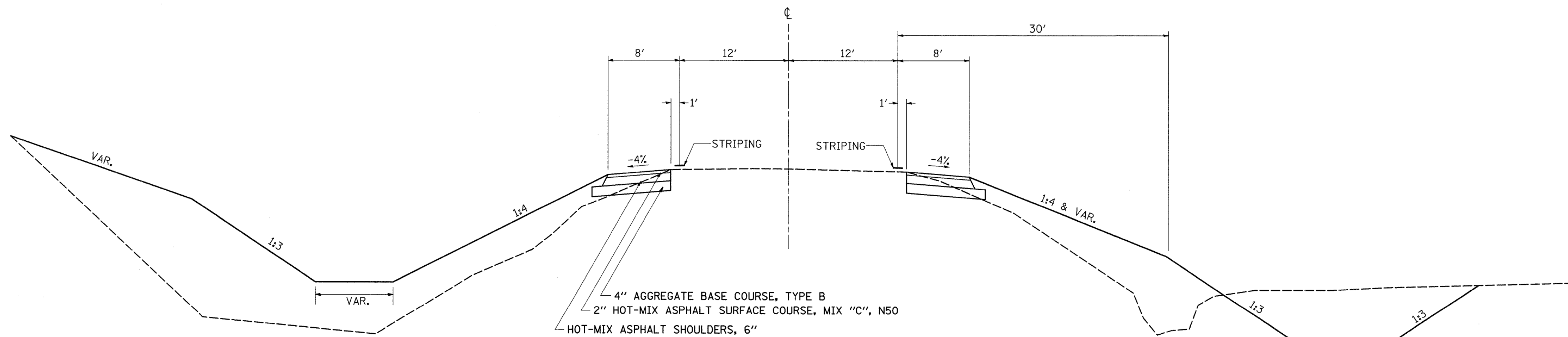


STA. 441+69.37 - 442+00 RT



ROCK CUT LINE

STA. 443+50 - 444+50



ROCK CUT LINE

FILE NAME =	USER NAME = dosddd	DESIGNED -	REVISED -	<b>STATE OF ILLINOIS DEPARTMENT OF TRANSPORTATION</b>	<b>US 20 TYPICAL SECTIONS</b>			F.A.P. RTE.	SECTION	COUNTY	TOTAL SHEETS	SHEET NO.			
c:\pw_work\PWIDOT\DOSSDD\dms34382\st1106.dgn		DRAWN -	REVISED -		SCALE:	SHEET NO.	OF	SHEETS	STA.	TO STA.	301	21T-2	STEPHENSON	56	8
PLOT SCALE = 50.0000' / IN.		CHECKED -	REVISED -												
PLOT DATE = Thu Dec 04 07:47:04 2008		DATE -	REVISED -												
											CONTRACT NO. 64C63		ILLINOIS FED. AID PROJECT		