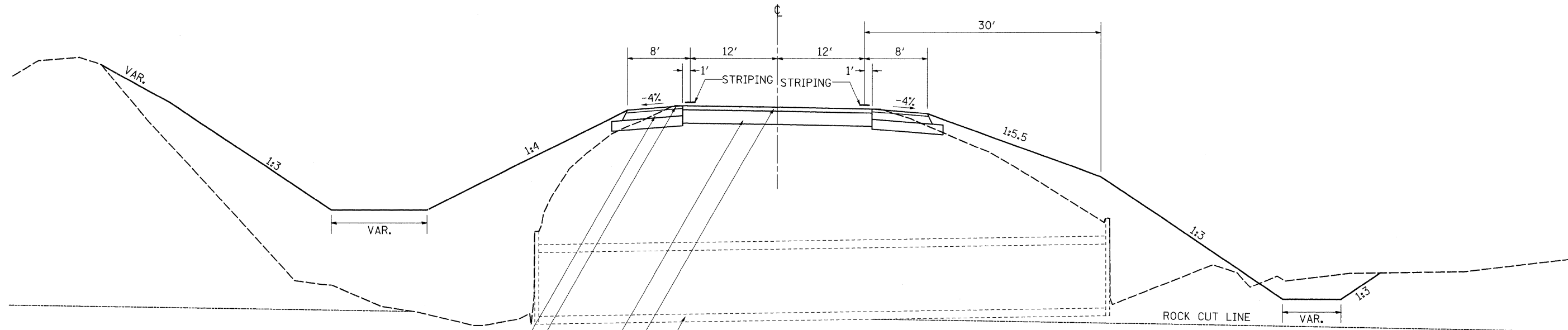
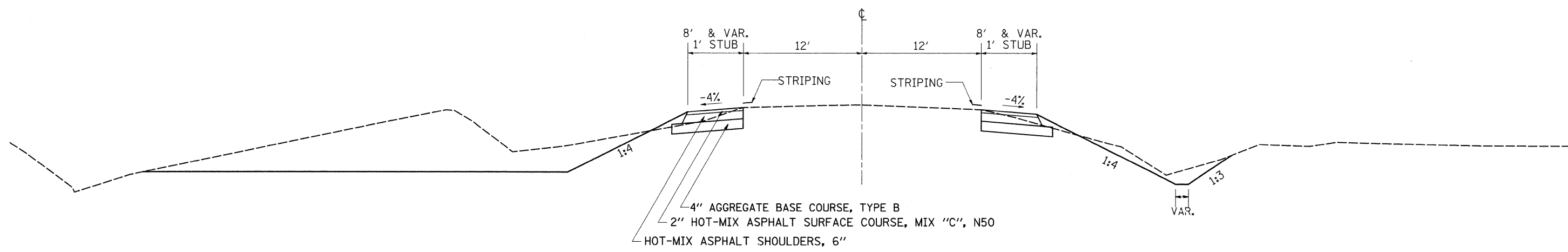


STA. 444+14.94



- REMOVAL OF EXISTING STRUCTURES NO. 1
- 2" HOT-MIX ASPHALT SURFACE COURSE, MIX "D", N70
- CLASS B PATCH, TYPE IV 10.5"
- 4" AGGREGATE BASE COURSE, TYPE B
- 2" HOT-MIX ASPHALT SURFACE COURSE, MIX "C", N50
- HOT-MIX ASPHALT SHOULDERS, 6"

STA. 446+00 - STA. 446+50



- 4" AGGREGATE BASE COURSE, TYPE B
- 2" HOT-MIX ASPHALT SURFACE COURSE, MIX "C", N50
- HOT-MIX ASPHALT SHOULDERS, 6"

ROCK CUT LINE

FILE NAME =	USER NAME = dosddd	DESIGNED -	REVISED -	STATE OF ILLINOIS DEPARTMENT OF TRANSPORTATION	US 20		F.A.P. RTE.	SECTION	COUNTY	TOTAL SHEETS	SHEET NO.
c:\pw_work\pwidot\dosddd\dms34382\sl186	sp.dgn	DRAWN -	REVISED -		TYPICAL SECTIONS		301	21T-2	STEPHENSON	56	10
PLOT SCALE = 50.0000' / IN.	CHECKED -	REVISED -	REVISED -		SCALE: _____	SHEET NO. _____ OF _____ SHEETS	STA. _____ TO STA. _____	FED. ROAD DIST. NO. _____ ILLINOIS FED. AID PROJECT			
PLOT DATE = Thu Dec 04 13:34:09 2008	DATE -	REVISED -	REVISED -		CONTRACT NO. 64C63						