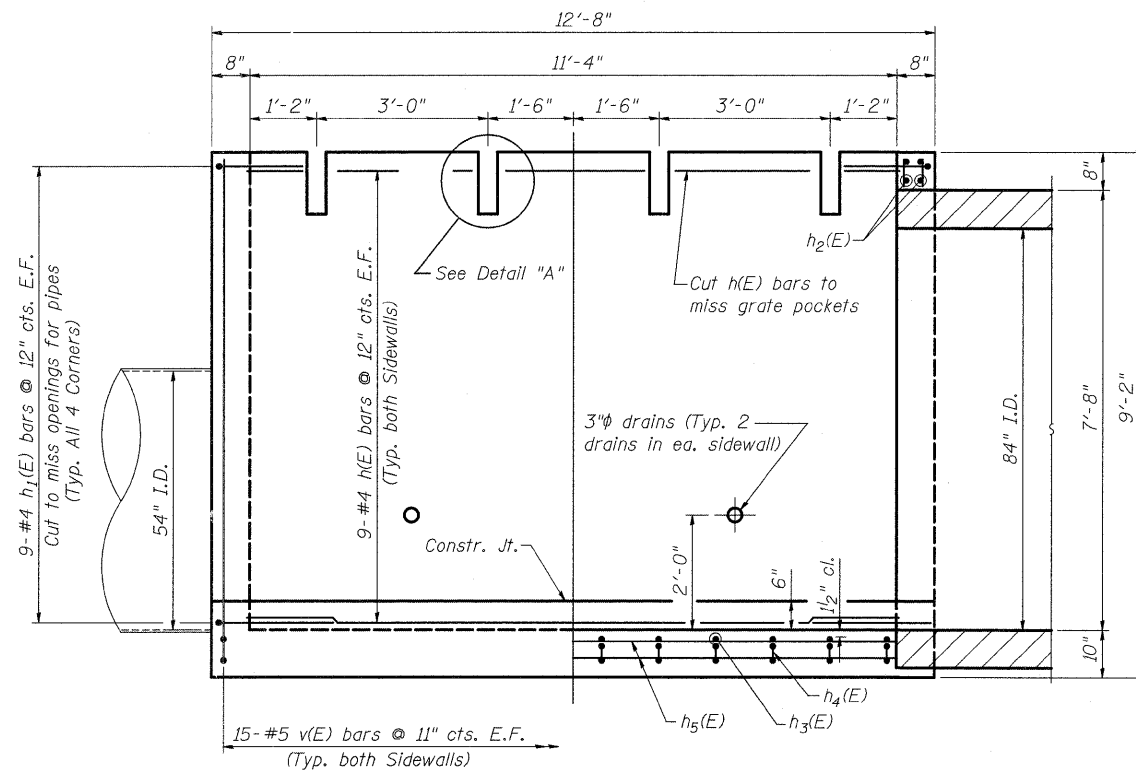


DATE: Wed Dec 03 15:18:53 2008

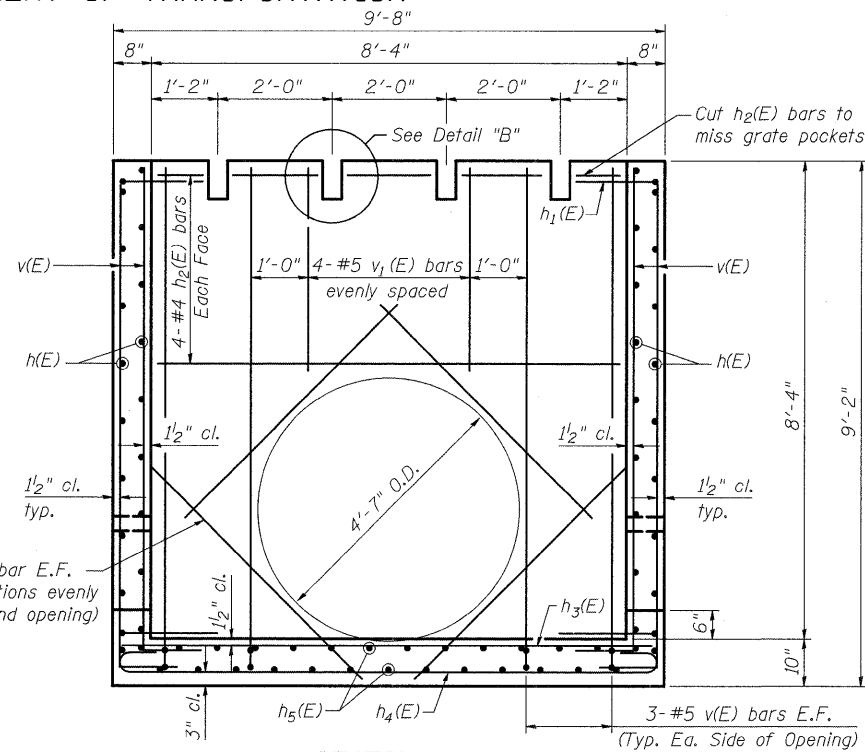
FILENAME: \$FILE\$

STATE OF ILLINOIS
DEPARTMENT OF TRANSPORTATION

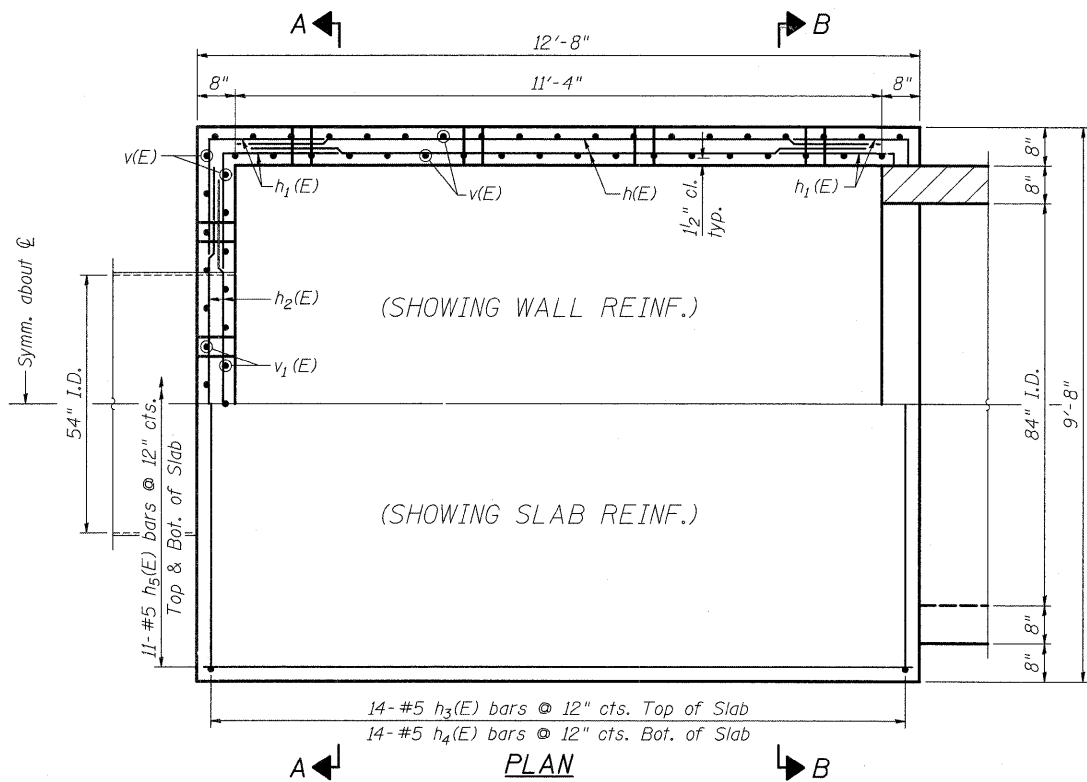


HALF ELEVATION

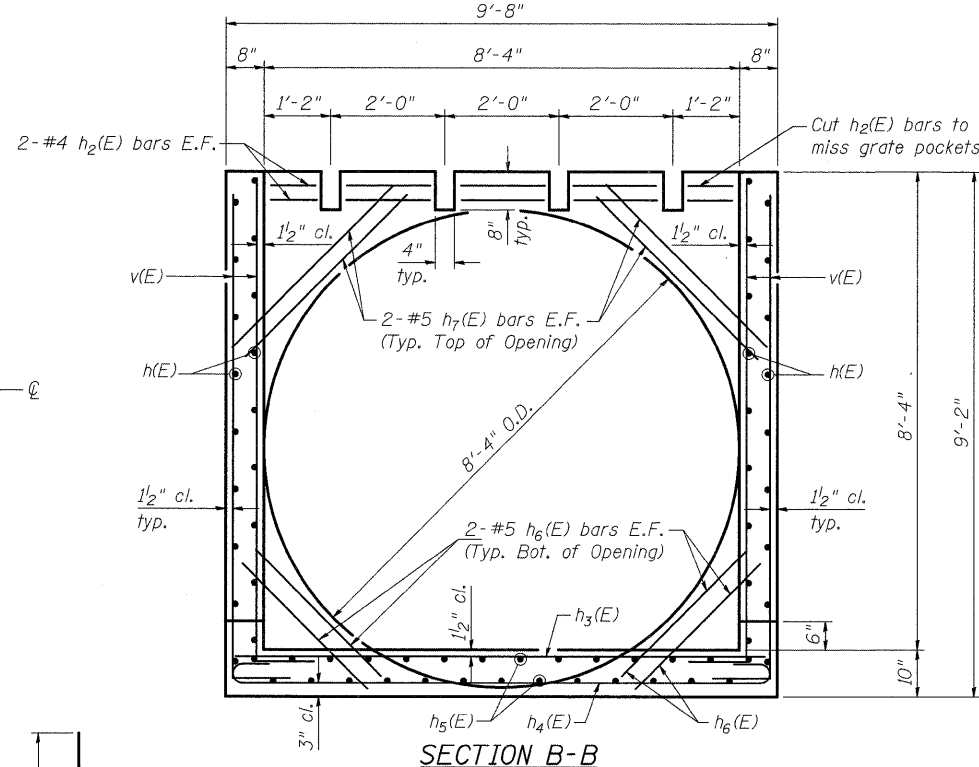
HALF LONG. SECTION



SECTION A-A



PLAN



SECTION B-B

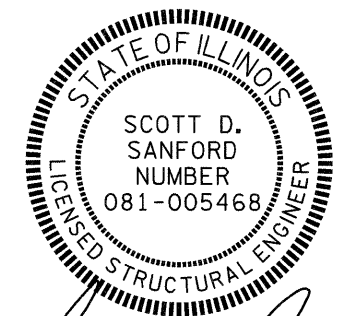
GENERAL NOTES

Reinforcement bars designated (E) shall be epoxy coated. Reinforcement bars shall conform to the requirements of ASTM A706 Gr. 60 (IL Modified) See Special Provisions. The contractor shall be responsible for diverting the water flow from the construction area using a method meeting the approval of the Engineer. Cost included with "Drop Box". Drain holes shall be constructed in accordance with section 503.11.

BILL OF MATERIAL

(For information only)

Bar	No.	Size	Length	Shape
h(E)	36	#4	12'-5"	—
h1(E)	72	#4	3'-4"	—
h2(E)	12	#4	9'-5"	—
h3(E)	14	#5	9'-5"	—
h4(E)	14	#5	10'-6"	—
h5(E)	22	#5	12'-5"	—
h6(E)	8	#5	3'-1"	—
h7(E)	8	#5	3'-11"	—
h8(E)	8	#5	5'-3"	—
v(E)	36	#5	10'-6"	—
v1(E)	8	#5	3'-6"	—
Concrete Structures		Cu. Yd.	9.8	
Reinforcement Bars, Epoxy Coated		Pound	1,640	

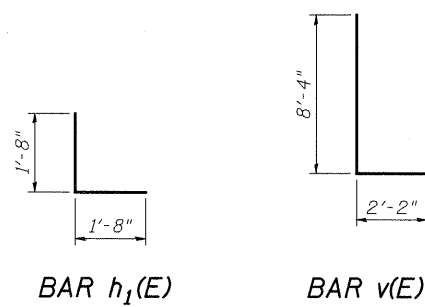


Expires: 11/30/2010

**JUNCTION BOX
REINFORCEMENT DETAILS
FAP ROUTE 301 (US 20)
SECTION 21T-2
STEPHENSON COUNTY
S.N. 089-1110**

DESIGNED - S.D.S.
CHECKED - S.D.S.
DRAWN - D.L.H.
CHECKED - S.D.S./D.L.H.

WHKS & CO.
ENGINEERING
7018 KINGSMILL CT.,
SPRINGFIELD, IL
(217) 483-9457
DESIGN FIRM #184001036



**US 20
JUNCTION BOX DETAIL**

F.A.P. RTE.	SECTION	COUNTY	TOTAL SHEETS	SHEET NO.
	21T-2	STEPHENSON	56	32
S.N. 089-1110		CONTRACT NO. 64C63		
FED. ROAD DIST. NO.	ILLINOIS	FED. AID PROJECT		