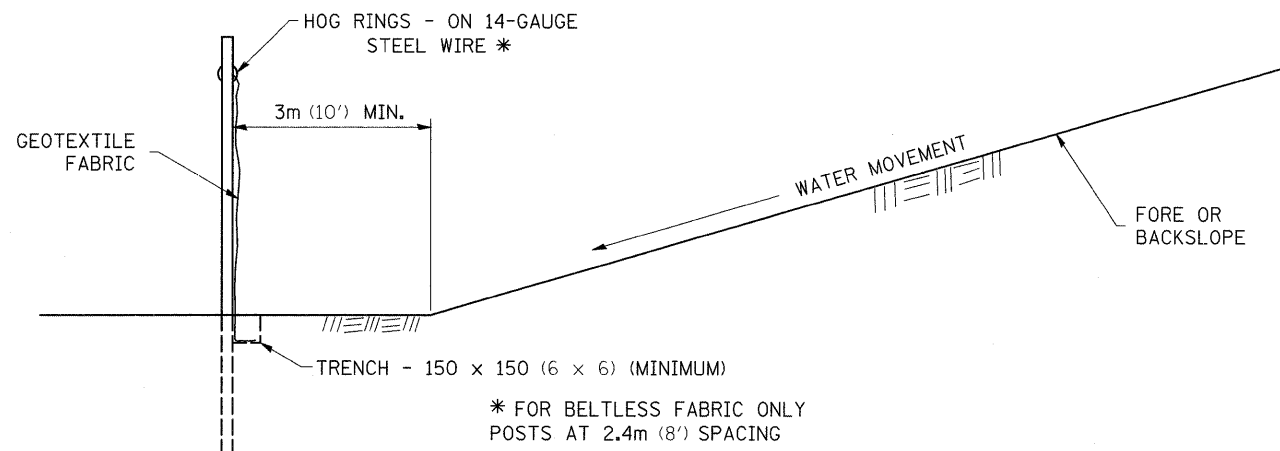
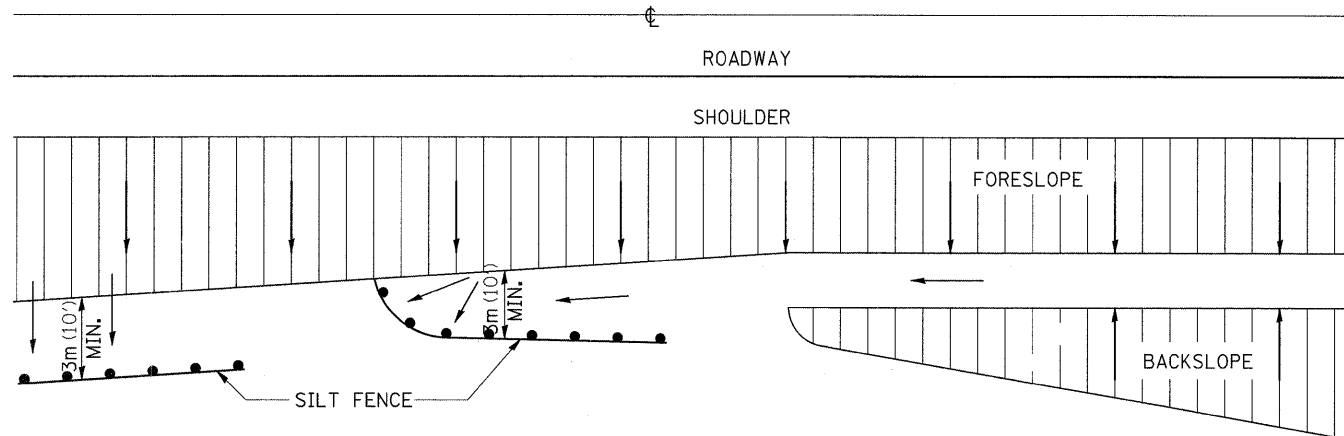


EROSION CONTROL DETAILS FOR SILT FENCE



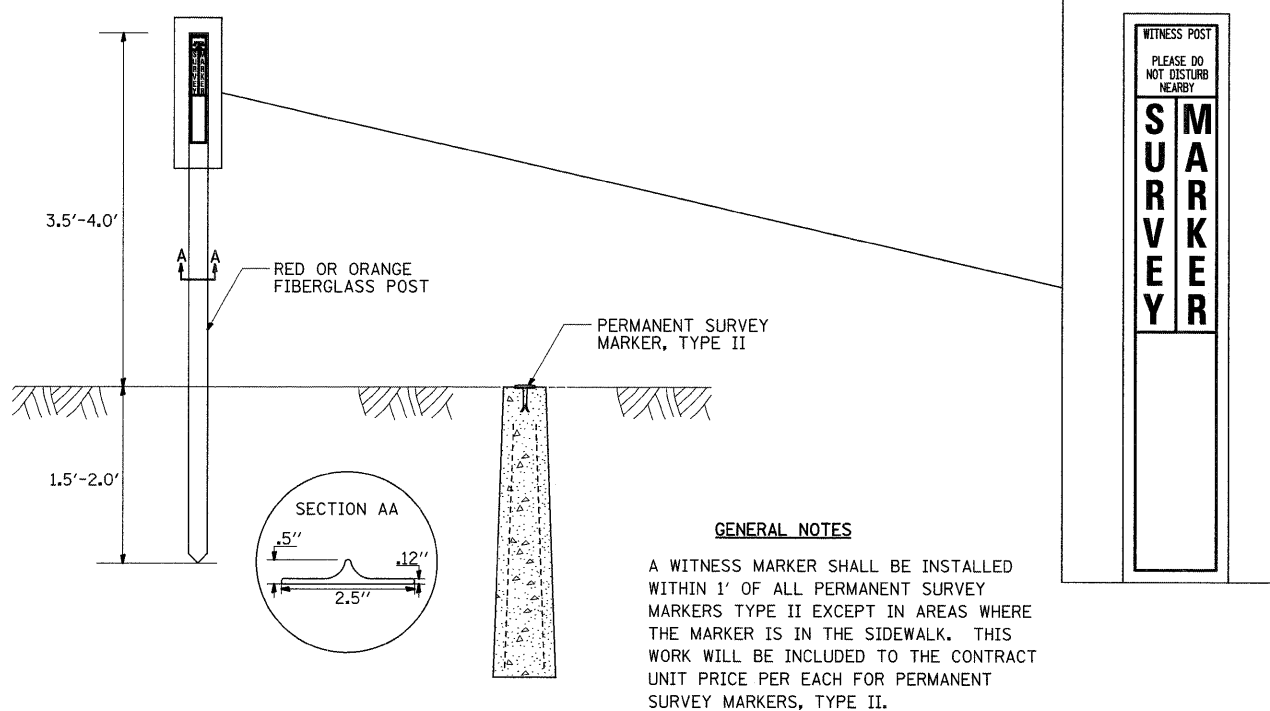
DETAILS OF SILT FENCE

* FOR BELTLESS FABRIC ONLY
POSTS AT 2.4m (8') SPACING

ALL DIMENSIONS ARE IN MILLIMETERS (INCHES) UNLESS OTHERWISE NOTED.

REVISED - 10-22-01

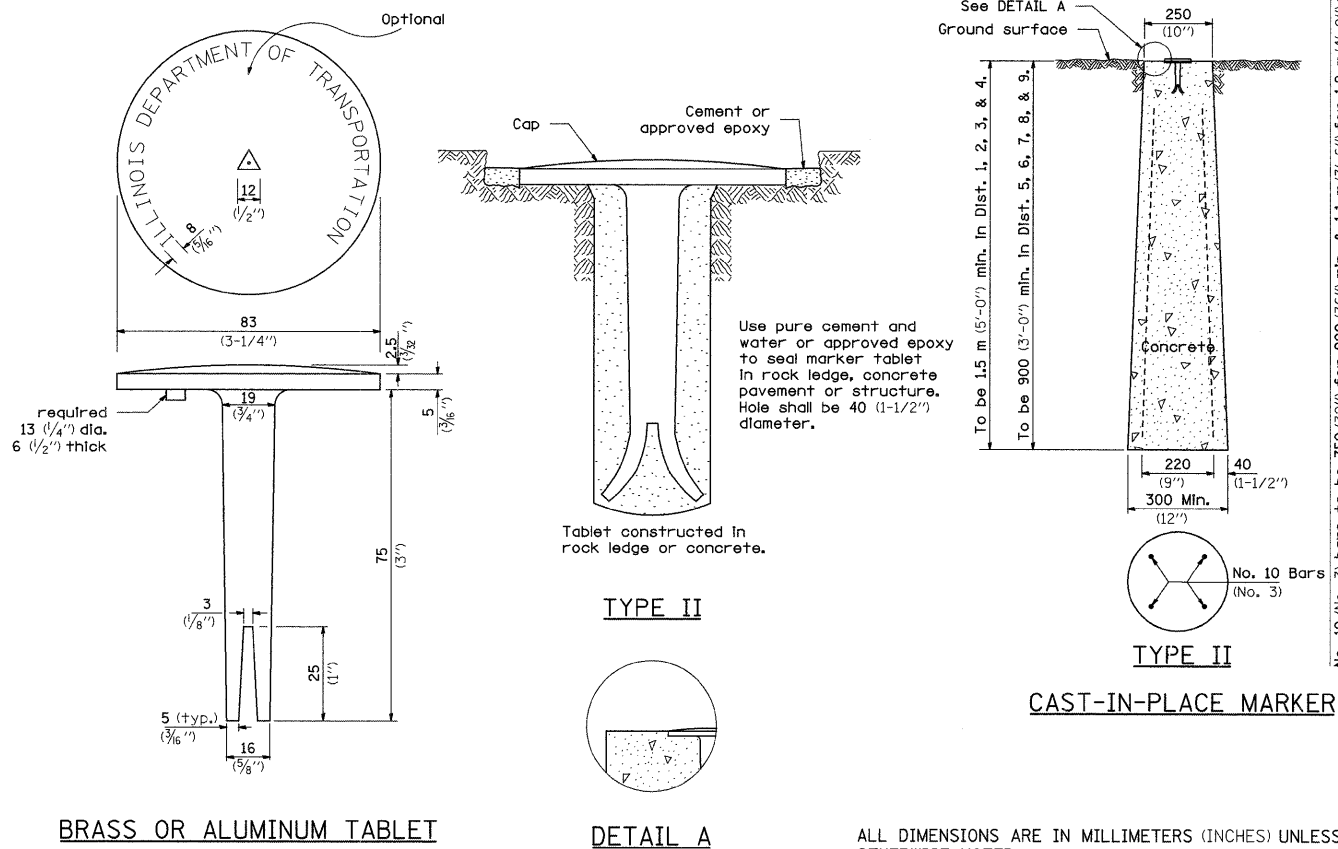
WITNESS MARKER FOR PERMANENT SURVEY MARKERS, TYPE II



GENERAL NOTES

A WITNESS MARKER SHALL BE INSTALLED WITHIN 1' OF ALL PERMANENT SURVEY MARKERS TYPE II EXCEPT IN AREAS WHERE THE MARKER IS IN THE SIDEWALK. THIS WORK WILL BE INCLUDED TO THE CONTRACT UNIT PRICE PER EACH FOR PERMANENT SURVEY MARKERS, TYPE II.

PERMANENT SURVEY MARKERS, TYPE II



BRASS OR ALUMINUM TABLET

DETAIL A

TYPE II

TYPE II

CAST-IN-PLACE MARKER

Use pure cement and water or approved epoxy to seal marker tablet in rock ledge, concrete pavement or structure. Hole shall be 40 (1-1/2") diameter.

ALL DIMENSIONS ARE IN MILLIMETERS (INCHES) UNLESS OTHERWISE NOTED.

REVISED -	REGION 2 / DISTRICT 2 STANDARD		F.A.P. RTE.	SECTION	COUNTY	TOTAL SHEETS	SHEET NO.
REVISED -	SCALE: 50,000' IN SHEET NO. OF SHEETS STA. TO STA.		301	21T-2	STEPHENSON	56	36
REVISED -	FED. ROAD DIST. NO. ILLINOIS FED. AID PROJECT		CONTRACT NO. 64C63				