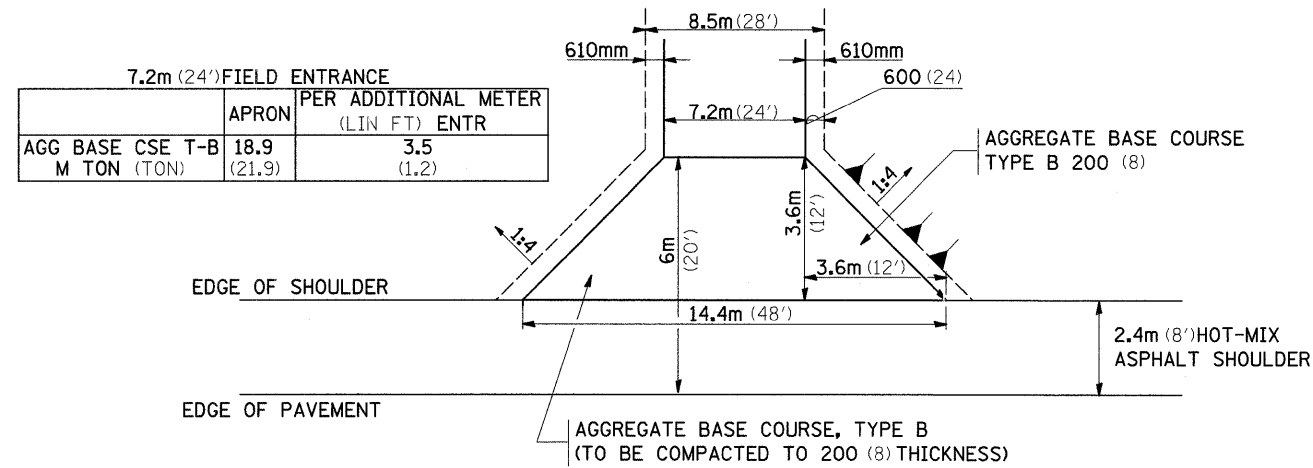


ENTRANCE AND SIDEROADS WITH 2.4m (8') HOT-MIX ASPHALT SHOULDERS

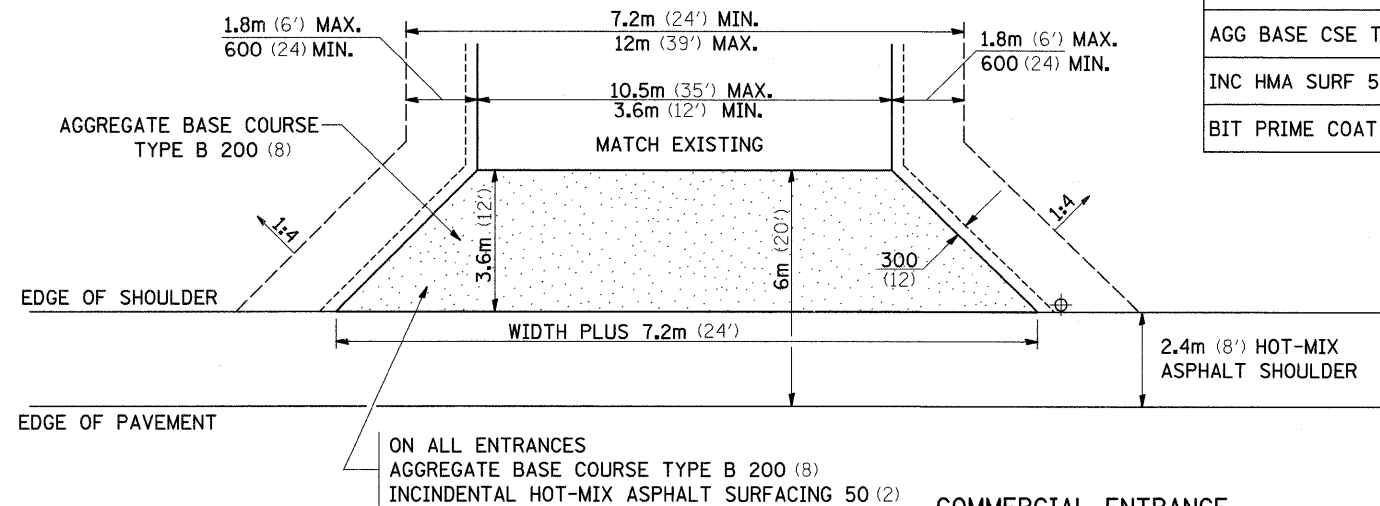


FIELD ENTRANCE

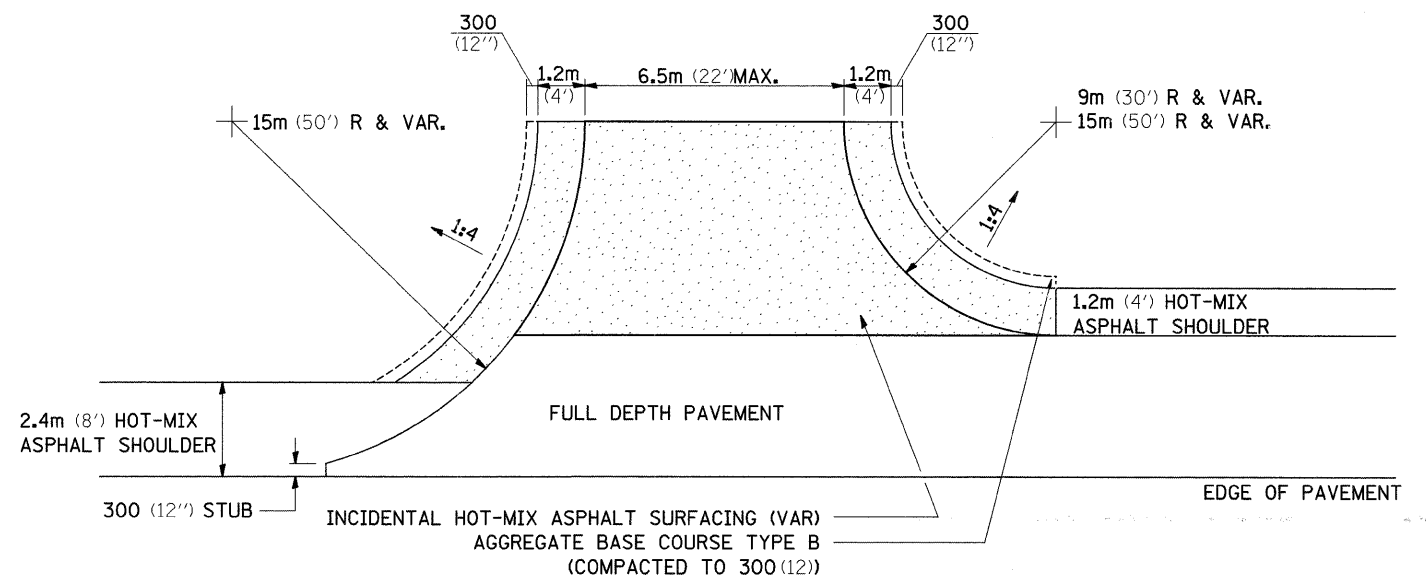
	COMMERCIAL ENTRANCE		PER METER ENTR (FOOT)	
	3.6m (12')	10.5m (35')	3.6m (12')	10.5m (35')
AGG BASE CSE T-B (TON)	14.3 (15.8)	27.0 (29.8)	0.64 (0.70)	1.70 (1.87)
INC HMA SURF 50 (2) (TON)	3.3 (3.6)	6.35 (7.0)	0.14 (0.15)	0.40 (0.44)
BIT PRIME COAT (TON)	0.042 (0.046)	0.082 (0.090)	0.002 (0.002)	0.005 (0.006)

NOTE

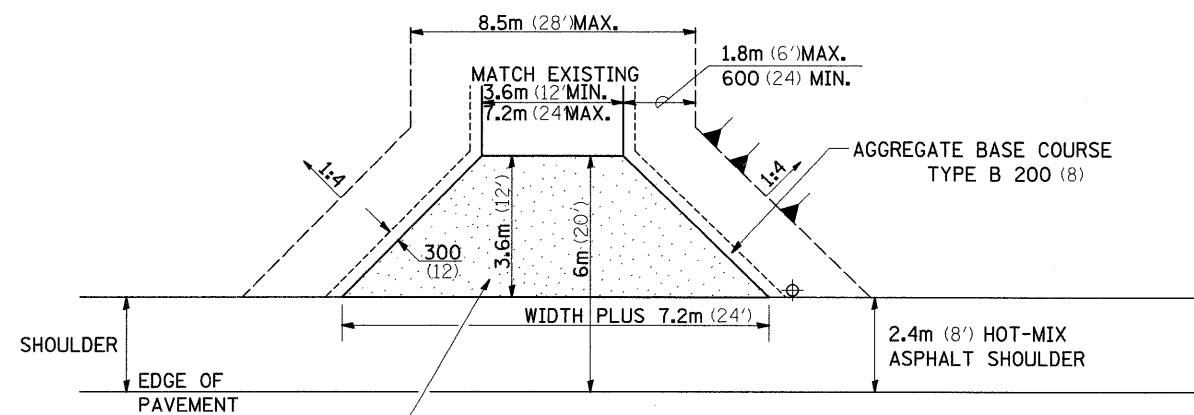
- ① ALL PE & CE ARE TO BE INCIDENTAL HOT-MIX ASPHALT SURFACED TO RIGHT OF WAY LINE. AREA BEHIND RIGHT OF WAY SHALL MATCH EXISTING SURFACE.
- ② FE ARE TO BE AGGREGATE TO RIGHT OF WAY OR TOUCH DOWN, WHICH EVER IS GREATEST.
- ③ QUANTITIES ARE CALCULATED WITH 2.4m HOT-MIX ASPHALT SHOULDER IN PLACE. AGGREGATE QUANTITIES SHOWN ARE FOR NEW CONSTRUCTION.
- ④ EXCAVATION REQUIRED FOR PLACEMENT OF AGGREGATE BASE COURSE SHALL BE CONSIDERED INCLUDED TO THE AGGREGATE BASE COURSE.
- ⑤ ALL DIMENSIONS ARE IN MILLIMETERS (INCHES) UNLESS OTHERWISE NOTED.



COMMERCIAL ENTRANCE



SIDE ROAD RETURN



PRIVATE ENTRANCE

	3.6m (12') PRIVATE ENTRANCE		PER METER ENTR (FOOT)	
	3.6m (12')	7.2m (24')	3.6m (12')	7.2m (24')
AGG BASE CSE T-B (TON)	14.3 (15.8)	21.0 (23.1)	0.64 (0.70)	1.20 (1.32)
INC HMA SURF 50 (2) (TON)	3.3 (3.6)	4.9 (5.4)	0.14 (0.15)	0.27 (0.30)
BIT PRIME COAT (TON)	0.042 (0.046)	0.063 (0.069)	0.002 (0.002)	0.004 (0.004)

FILE NAME =
c:\pwwork\pwwork\pwwork\dossdd\dms34371\11L 73

USER NAME = dossdd
Junction Box.dgn
PLOT SCALE = 50.0000' / IN.
PLOT DATE = Wed Dec 03 15:18:56 2008

DESIGNED -
DRAWN -
CHECKED -
DATE -

REVISED - 1-15-08
REVISED -
REVISED -
REVISED -

STATE OF ILLINOIS
DEPARTMENT OF TRANSPORTATION

REGION 2 / DISTRICT 2 STANDARD

SCALE: SHEET NO. OF SHEETS STA. TO STA.

F.A.P. RTE.	SECTION	COUNTY	TOTAL SHEETS	SHEET NO.
301	21T-2	STEPHENSON	56	39
FED. ROAD DIST. NO.			ILLINOIS FED. AID PROJECT	
CONTRACT NO. 64C63				