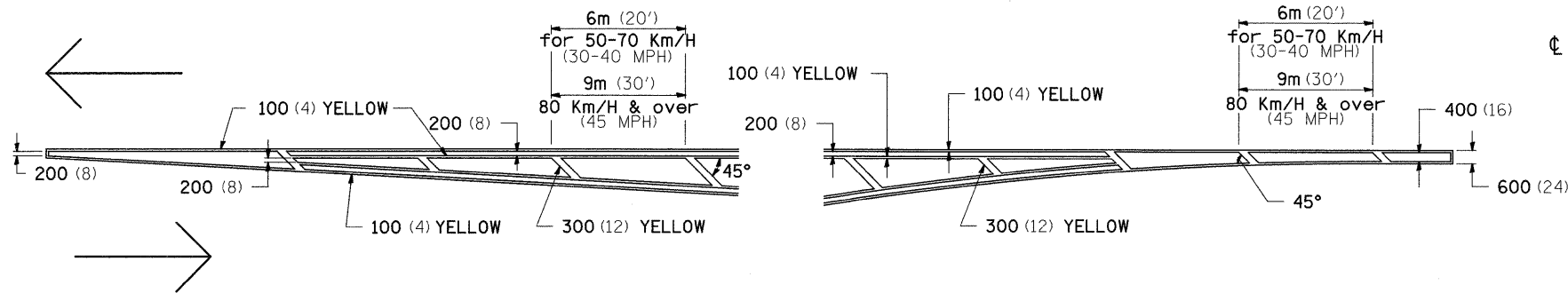
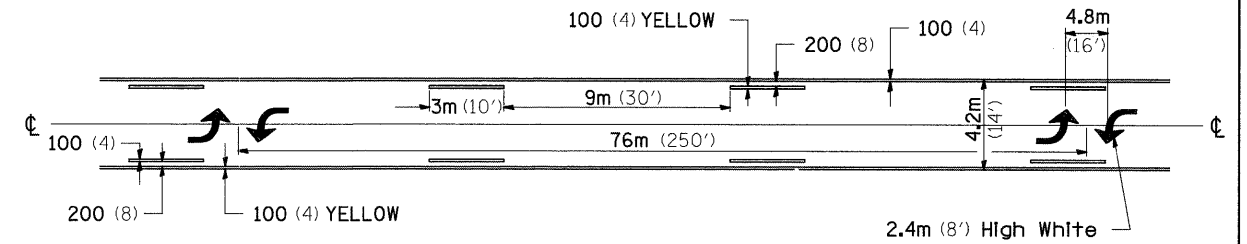


TYPICAL PAVEMENT MARKINGS

TYPICAL PAVEMENT MARKING FOR FLUSH MEDIAN AT LEFT TURN LANE

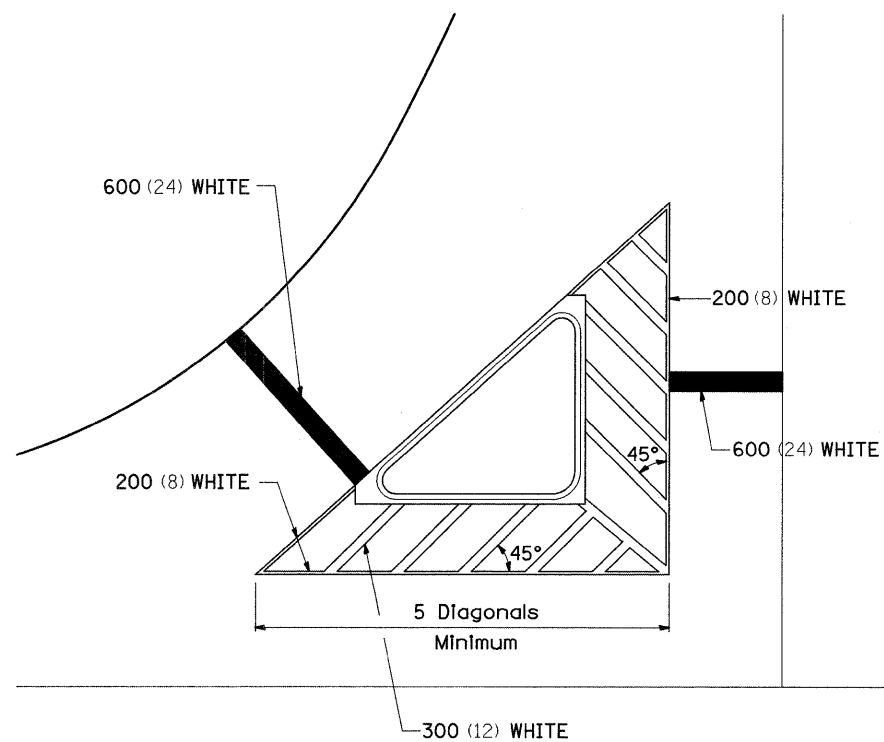


MEDIAN PAVEMENT MARKING

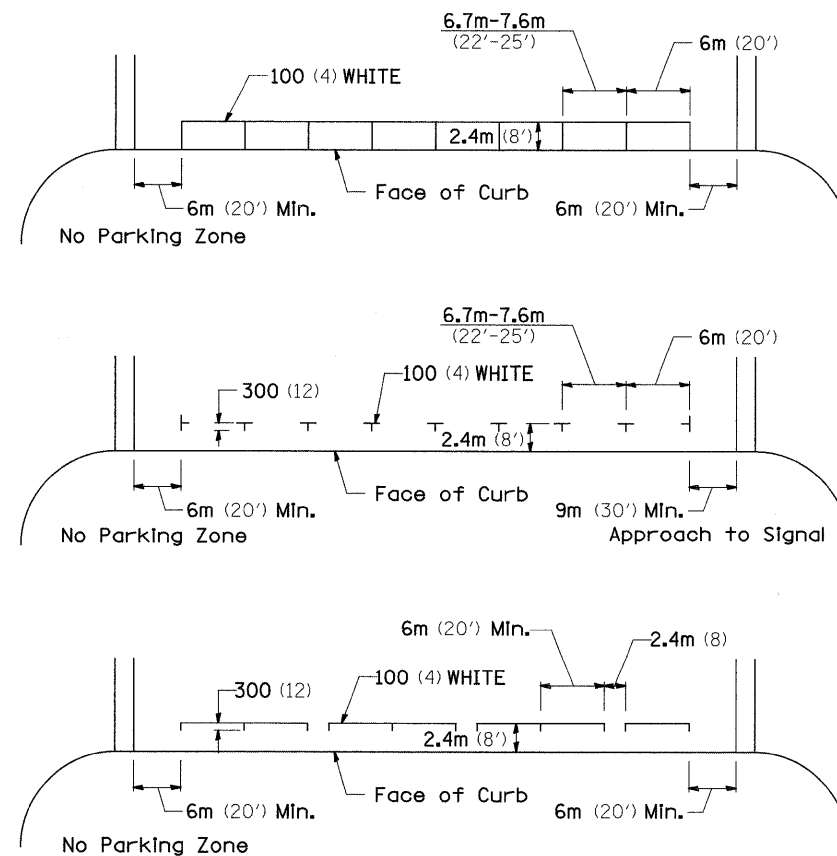


•• ALL DIMENSIONS ARE IN MILLIMETERS (INCHES) UNLESS OTHERWISE NOTED.

TYPICAL ISLAND OFFSET SHOULDER WIDTH

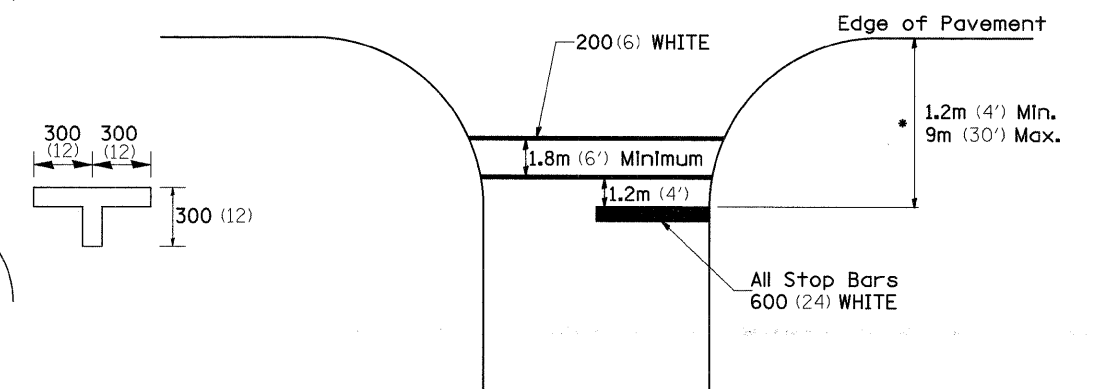


TYPICAL PARKING SPACING



STANDARD CROSSWALK MARKING

See Schedules for Locations



* Distance to the nearest edge of the intersecting roadway in the absence of a marked crosswalk.

FILE NAME =	USER NAME = dossed	DESIGNED -	REVISED - 10-21-08	STATE OF ILLINOIS DEPARTMENT OF TRANSPORTATION	REGION 2 / DISTRICT 2 STANDARD			F.A.P. RTE.	SECTION	COUNTY	TOTAL SHEETS	SHEET NO.
c:\pw_work\pwsdot\dossed\dms34371\1L 73	Junction Box.dgn	DRAWN -	REVISED -					301	21T-2	STEPHENSON	56	41
	PLOT SCALE = 50,0000' / IN.	CHECKED -	REVISED -		CONTRACT NO. 64C63							
	PLOT DATE = Wed Dec 03 15:10:57 2008	DATE -	REVISED -		FED. ROAD DIST. NO. [ILLINOIS] FED. AID PROJECT							