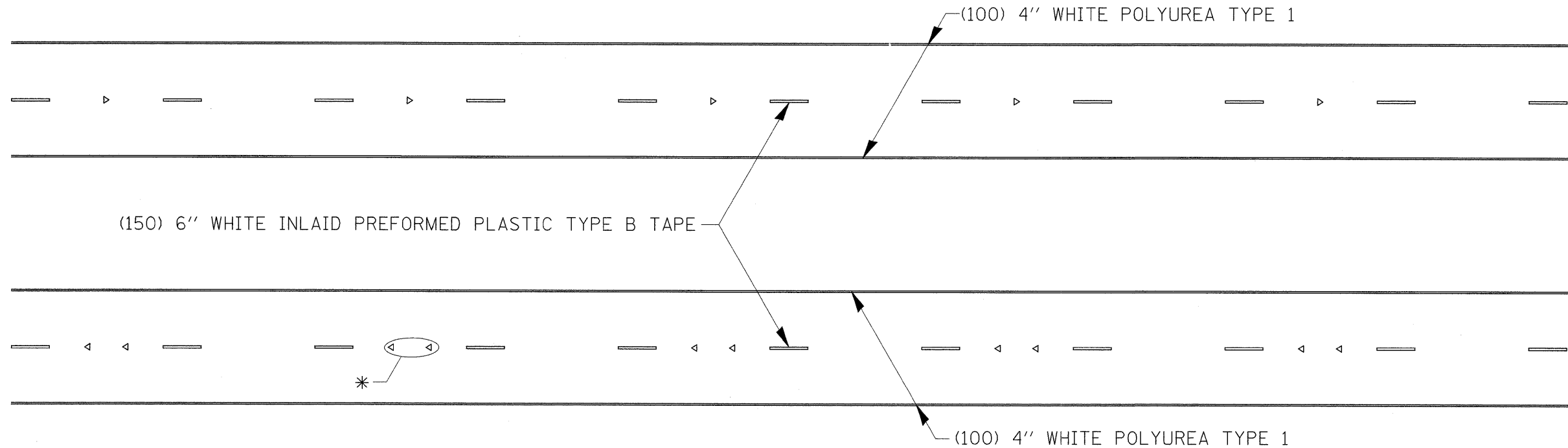
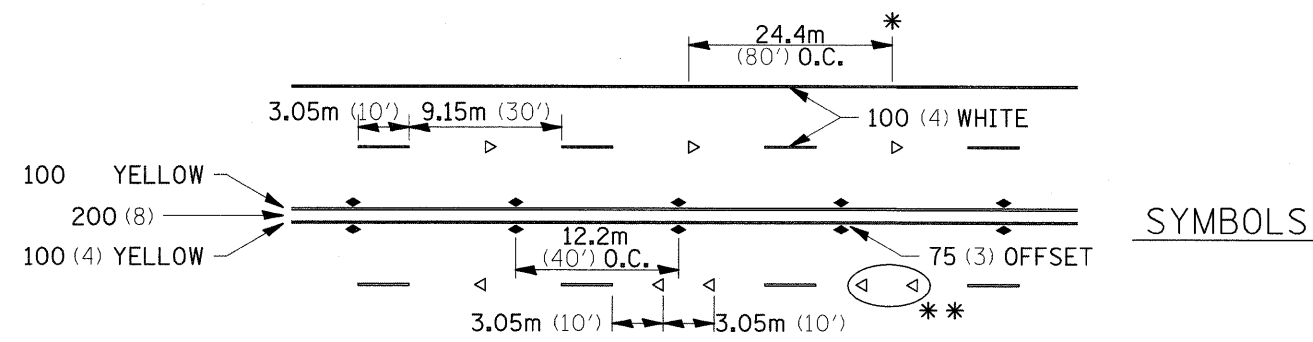


# TYPICAL PAVEMENT MARKINGS



\* SEE HIGHWAY STANDARD 781001 FOR SPACING DETAILS.  
USE DOUBLE MARKERS WHEN ADT  $\geq$  25,000.

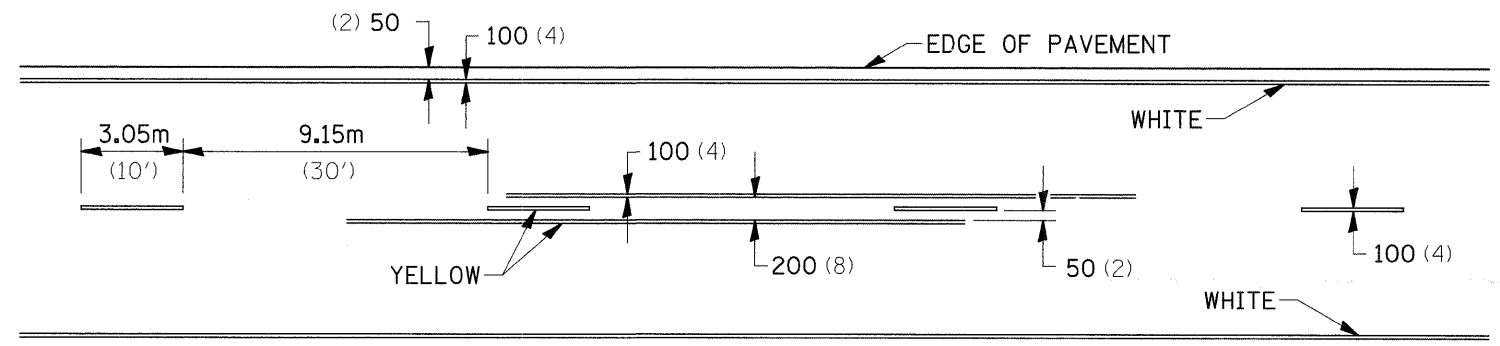
## MULTI-LANE / DIVIDED



\* REDUCE TO 12.2m (40') O.C. ON CURVES WHERE ADVISORY SPEEDS ARE 15Km/H (10MPH) LOWER THAN POSTED SPEEDS.  
\*\* USE DOUBLE MARKERS WHEN ADT  $\geq$  25,000

## MULTI-LANE / UNDIVIDED

## TYPICAL PAVEMENT MARKING FOR TWO LANE SECTION - NO PASSING ZONES



|  |                    |            |                    |   |                                       |           |           |      |                           |         |        |              |           |    |
|--|--------------------|------------|--------------------|---|---------------------------------------|-----------|-----------|------|---------------------------|---------|--------|--------------|-----------|----|
| FILE NAME =  | USER NAME = dosddd | DESIGNED - | REVISED - 10-21-08 | <b>STATE OF ILLINOIS<br/>DEPARTMENT OF TRANSPORTATION</b> | <b>REGION 2 / DISTRICT 2 STANDARD</b> |           |           |      | F.A.P. RTE.               | SECTION | COUNTY | TOTAL SHEETS | SHEET NO. |    |
| cr\pw_work\pwsdot\dosddd\dms34371\IL 73 Junction Box.dgn |                    | DRAWN -    | REVISED -          |   | SCALE:                                | SHEET NO. | OF SHEETS | STA. | TO STA.                   | 301     | 21T-2  | STEPHENSON   | 56        | 43 |
|  |                    | CHECKED -  | REVISED -          |   |                                       |           |           |      | CONTRACT NO. 64C63        |         |        |              |           |    |
|  |                    | DATE -     | REVISED -          |   |                                       |           |           |      | ILLINOIS FED. AID PROJECT |         |        |              |           |    |