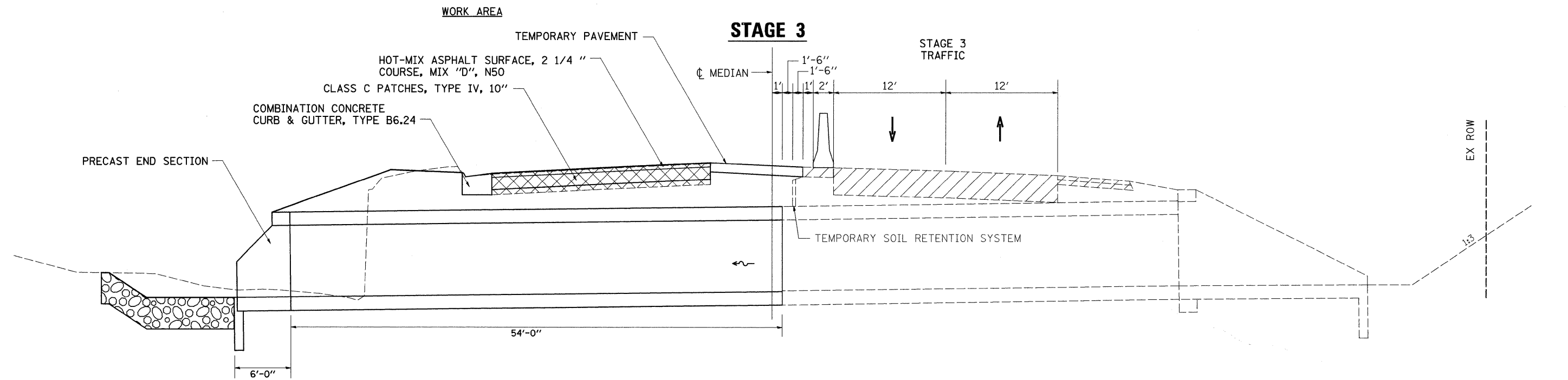
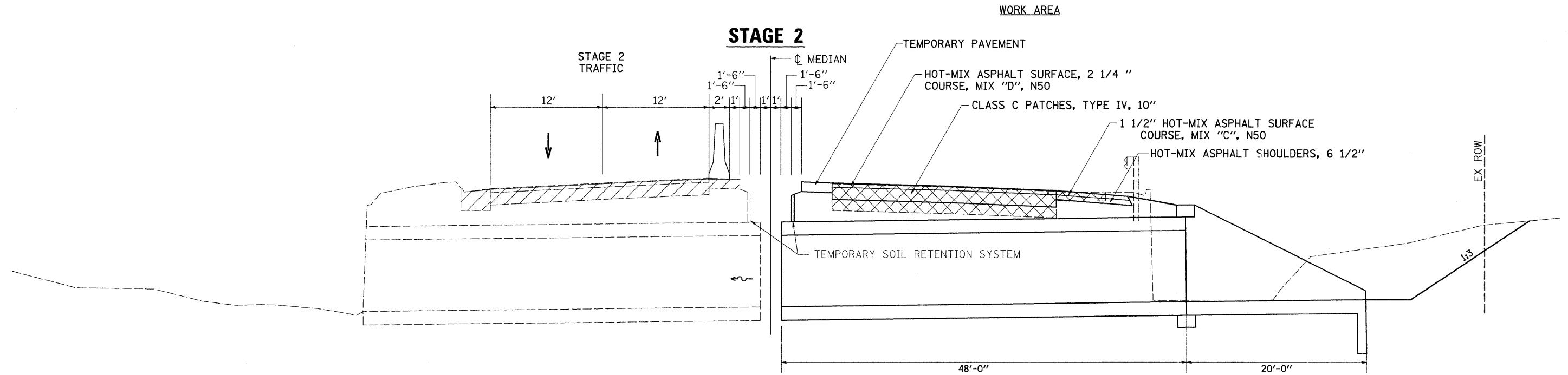
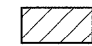



STAGING TYPICALS



-  EXISTING PAVEMENT
-  PAVEMENT REMOVAL

FILE NAME = c:\projects\p211406\dl1406stg.dgn	USER NAME = polzinej	DESIGNED -	REVISED -	STATE OF ILLINOIS DEPARTMENT OF TRANSPORTATION	STAGING TYPICALS				F.A.P. RTE. 303	SECTION (40R)T	COUNTY WINNEBAGO	TOTAL SHEETS 67	SHEET NO. 28
	PLOT SCALE = 50.0000' / IN.	DRAWN -	REVISED -		SCALE:	SHEET NO.	OF SHEETS	STA.	TO STA.	CONTRACT NO. 64C65			
	PLOT DATE = Mon Aug 04 14:50:18 2008	CHECKED -	REVISED -							FED. ROAD DIST. NO. [ILLINOIS] FED. AID PROJECT			
		DATE -	REVISED -										