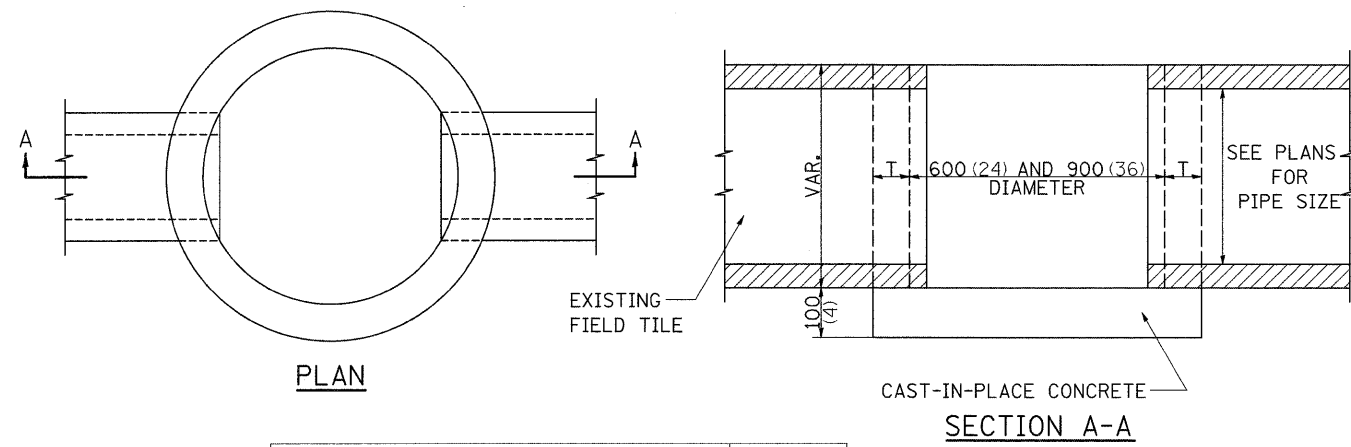
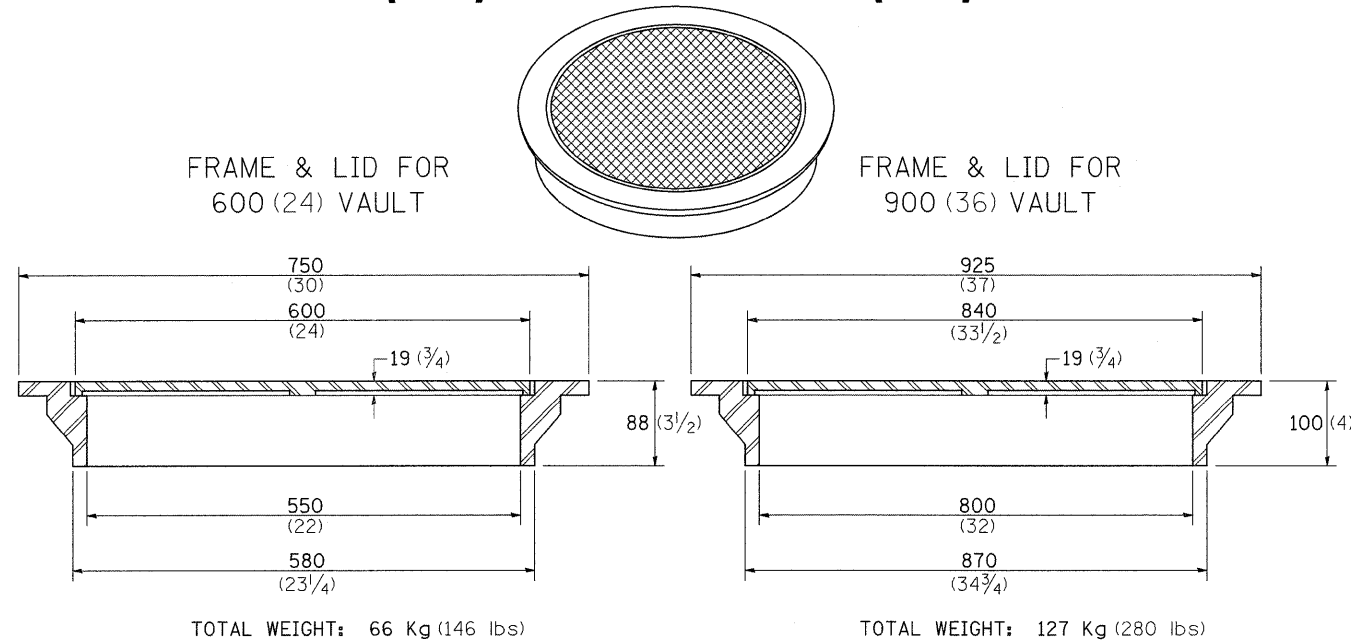


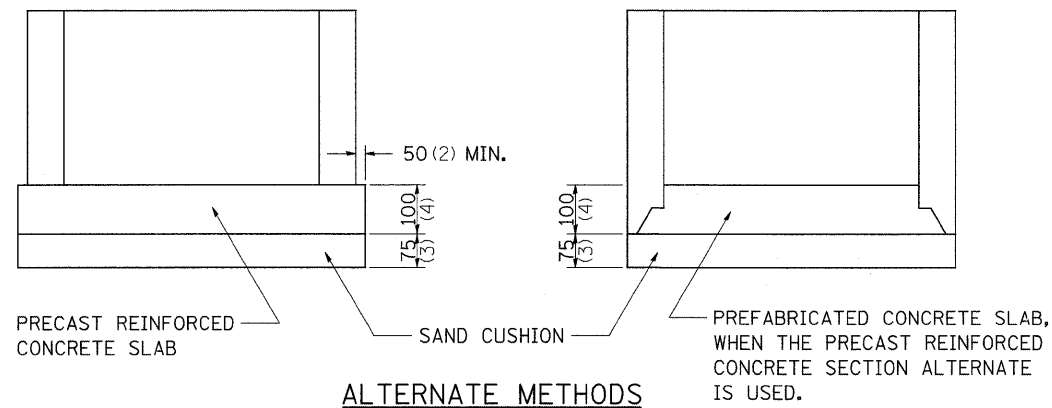
FIELD TILE JUNCTION VAULTS 600 (24) AND 900 (36) DIA.



ALTERNATE MATERIALS FOR WALLS	T
BRICK MASONRY	200 (8)
CAST-IN-PLACE CONCRETE	150 (6)
CONCRETE MASONRY UNIT	125 (5)
PRECAST REINFORCED CONCRETE SECTION	75 (3)

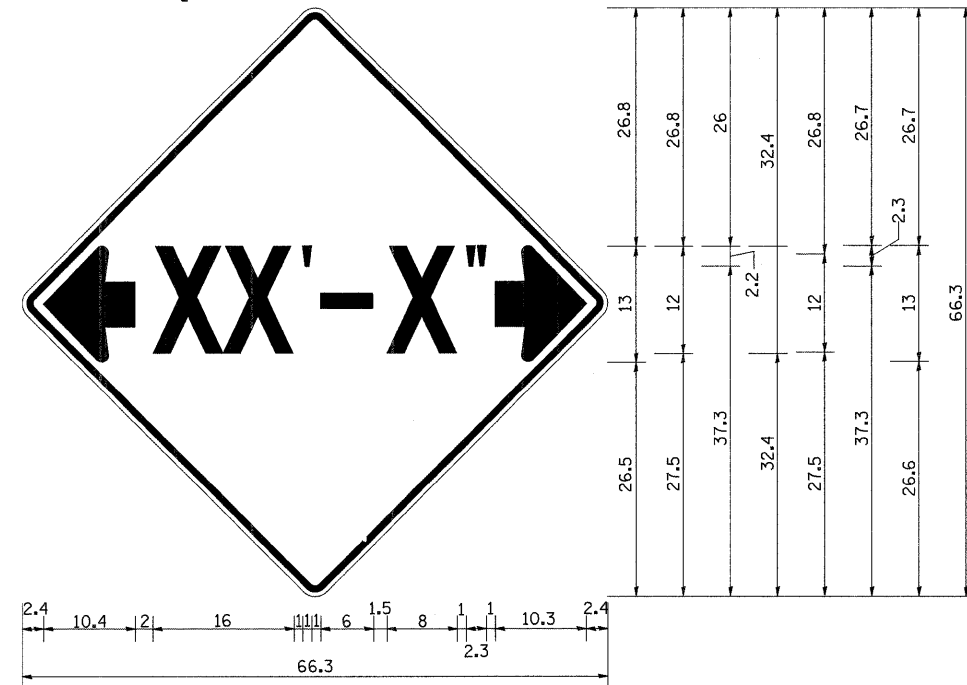
NOTE: THE FRAME AND LID IS REQUIRED ON ALL JUNCTION VAULTS.

ALL DIMENSIONS ARE IN MILLIMETERS (INCHES) UNLESS OTHERWISE NOTED.

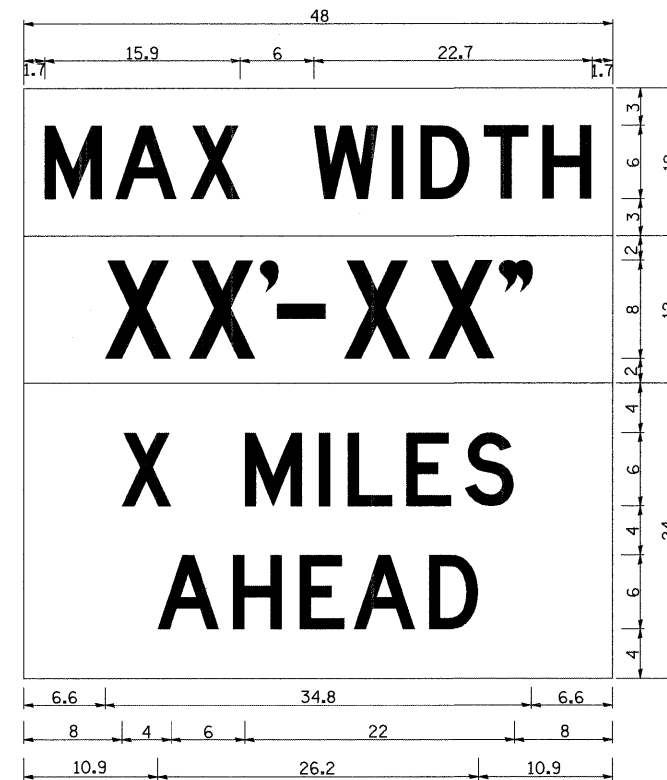


REVISED - 5-03-94

INFORMATIONAL WARNING SIGN (FOR NARROW TRAVEL LANES)



NOTES
W12-2 - Horizontal Clearance Sign
48.0" across sides, 1.9" Radius,
0.8" Border, 0.5" Indent, Black on
Orange; Standard Arrow Custom
10.4" X 8.1" 180° Black 11 Inch
D Series Lettering; Standard Arrow
Custom 10.4" X 8.1" 0°



W12-I103 (Width Is 8D);
No border, Black on White;
[MAX WIDTH] D;

No border, Black on Orange;
[XX'-XX'] D;

No border, Black on White;
[X MILES] D; [AHEAD] D;

All work to furnish and install these signs shall be included in the cost of the Traffic Control Standards and shall not be paid for separately.

ALL DIMENSIONS ARE IN INCHES UNLESS OTHERWISE NOTED.

REVISED - 1-9-08	REGION 2 / DISTRICT 2 STANDARD	F.A.P. RTE.	SECTION	COUNTY	TOTAL SHEETS	SHEET NO.
REVISED -		303	(40R)T	WINNEBAGO	67	48
REVISED -		SCALE: 50,000 / IN	SHEET NO. OF SHEETS STA. TO STA.		CONTRACT NO. 64C65	
REVISED -		FED. ROAD DIST. NO. ILLINOIS FED. AID PROJECT				