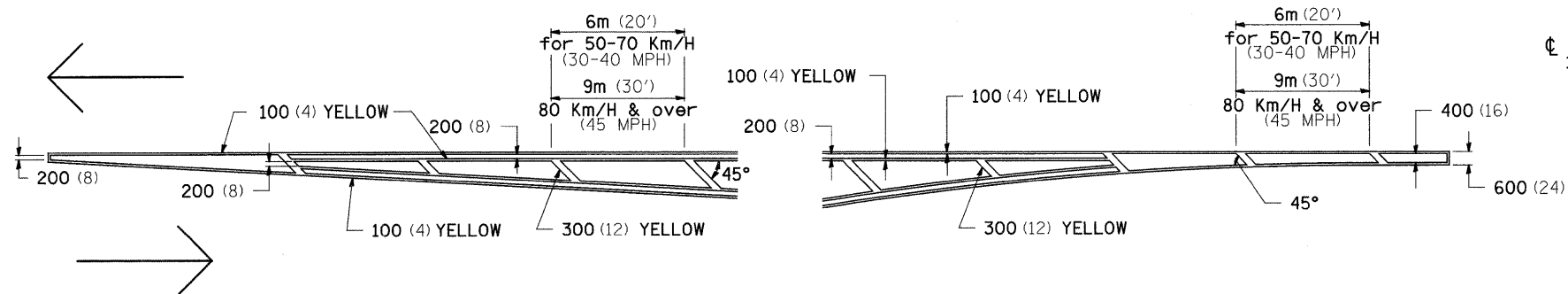
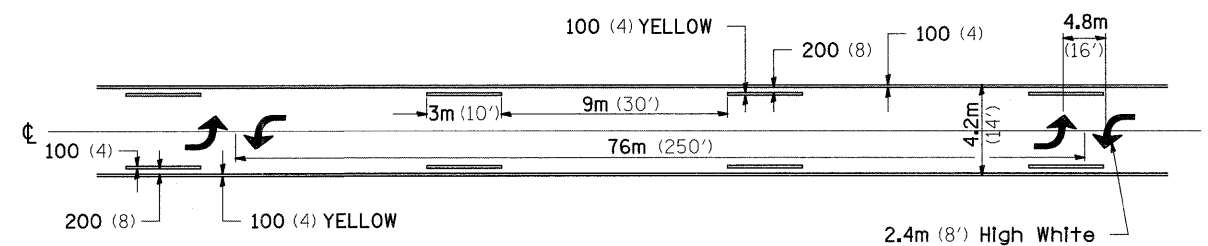


TYPICAL PAVEMENT MARKINGS

TYPICAL PAVEMENT MARKING FOR FLUSH MEDIAN AT LEFT TURN LANE

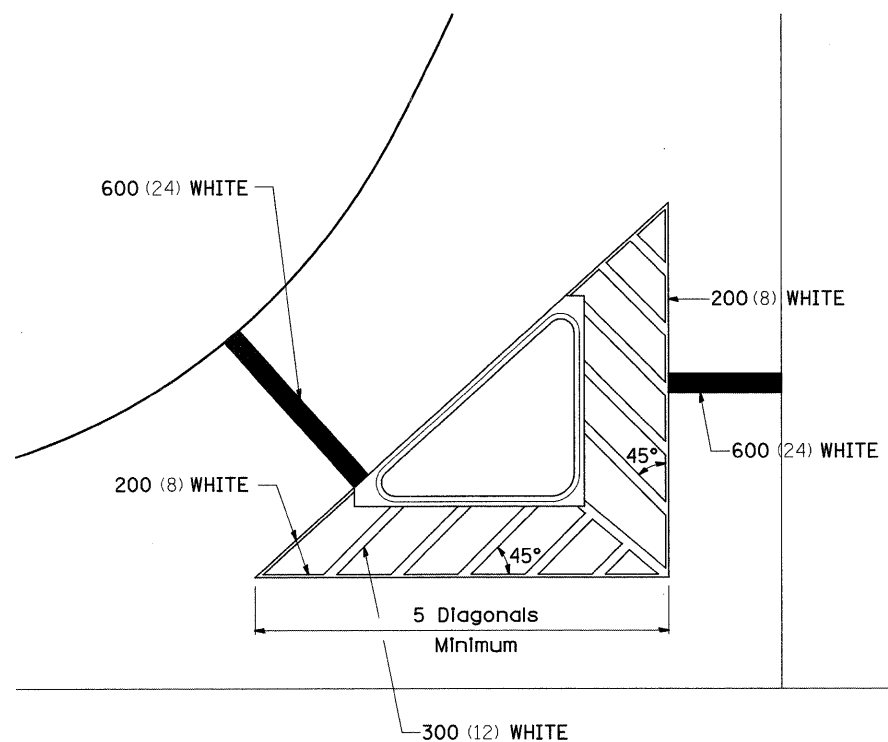


MEDIAN PAVEMENT MARKING

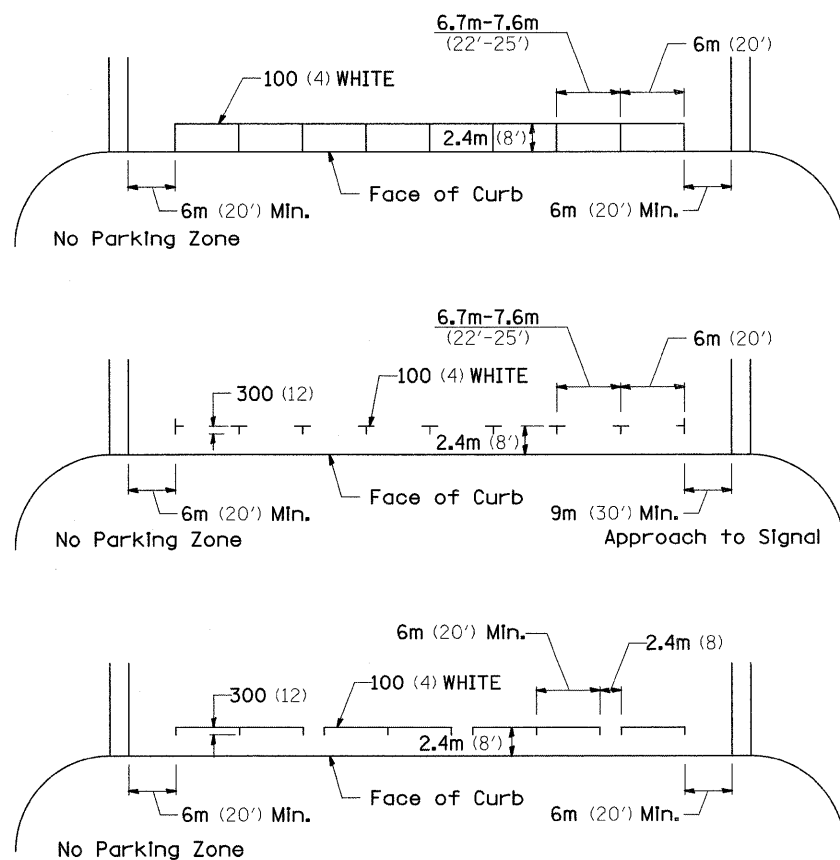


•• ALL DIMENSIONS ARE IN MILLIMETERS (INCHES) UNLESS OTHERWISE NOTED.

TYPICAL ISLAND OFFSET SHOULDER WIDTH

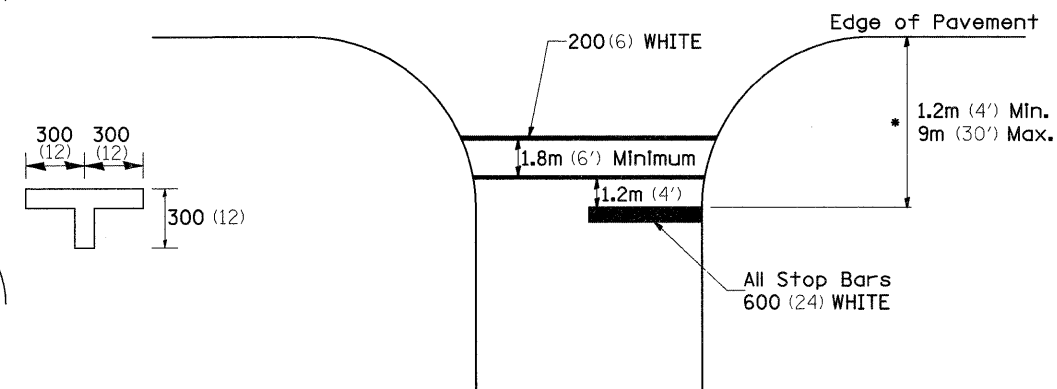


TYPICAL PARKING SPACING



STANDARD CROSSWALK MARKING

See Schedules for Locations



* Distance to the nearest edge of the intersecting roadway in the absence of a marked crosswalk.

FILE NAME = e:\projects\p211406\dl1406sp1.dgn	USER NAME = polzinej	DESIGNED -	REVISED - 1-11-08	STATE OF ILLINOIS DEPARTMENT OF TRANSPORTATION	REGION 2 / DISTRICT 2 STANDARD			F.A.P. RTE. 303	SECTION (40R)T	COUNTY WINNEBAGO	TOTAL SHEETS 67	SHEET NO. 52
PLLOT SCALE = 50,0000 ' / IN.	CHECKED -	DRAWN -	REVISED -		SCALE:	SHEET NO.	OF SHEETS	STA.	TO STA.	FED. ROAD DIST. NO.	ILLINOIS FED. AID PROJECT	CONTRACT NO. 64C65
PLLOT DATE = Mon Aug 04 11:37:50 2008	DATE -	CHECKED -	REVISED -									