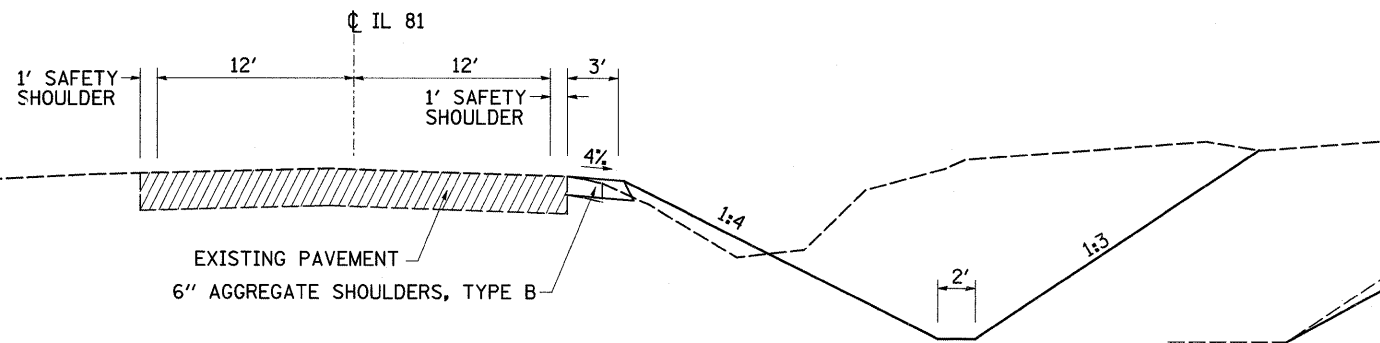
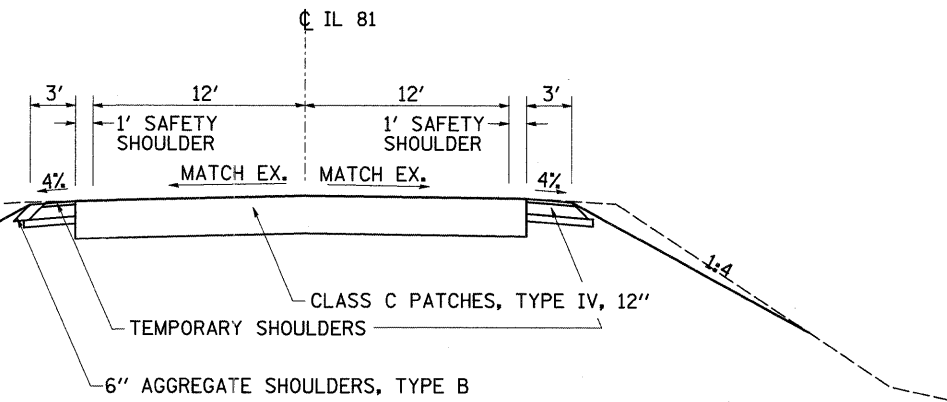


TYPICAL SECTIONS

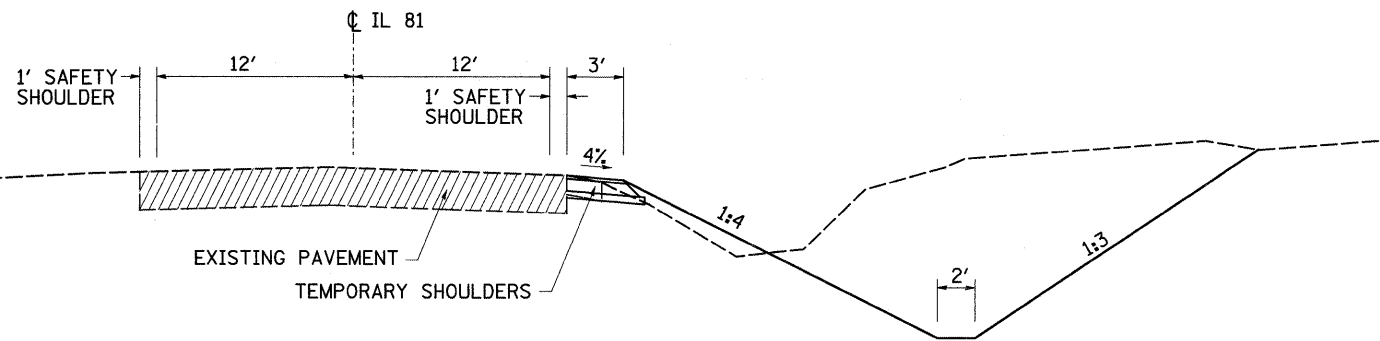
STA. 775+50 TO STA. 776+06



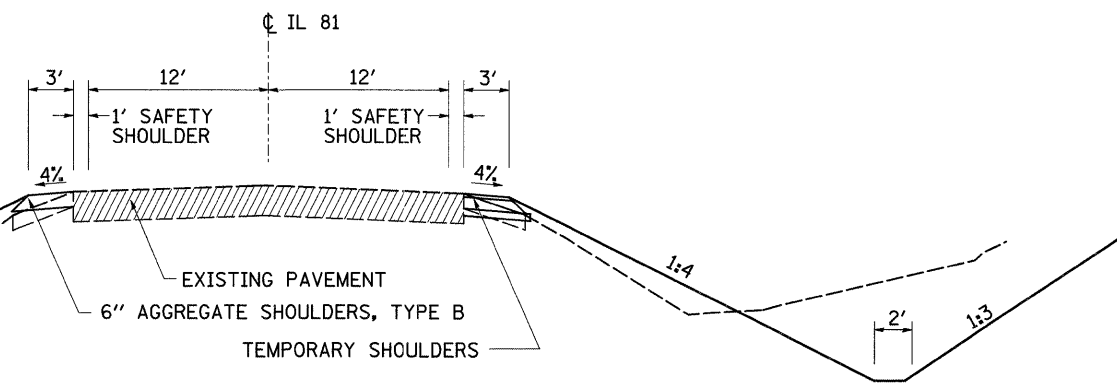
STA. 777+35 - STA. 778+19



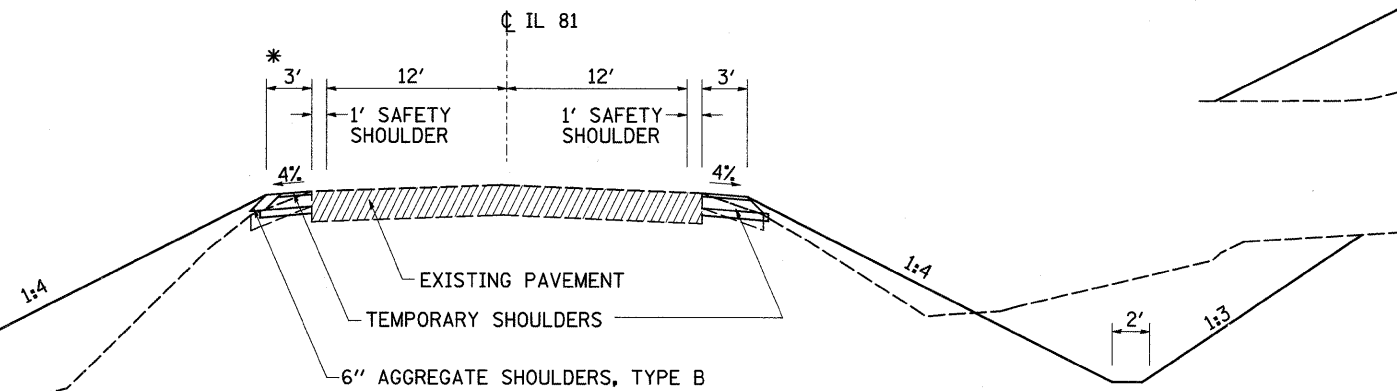
STA. 776+06 TO STA. 777+35



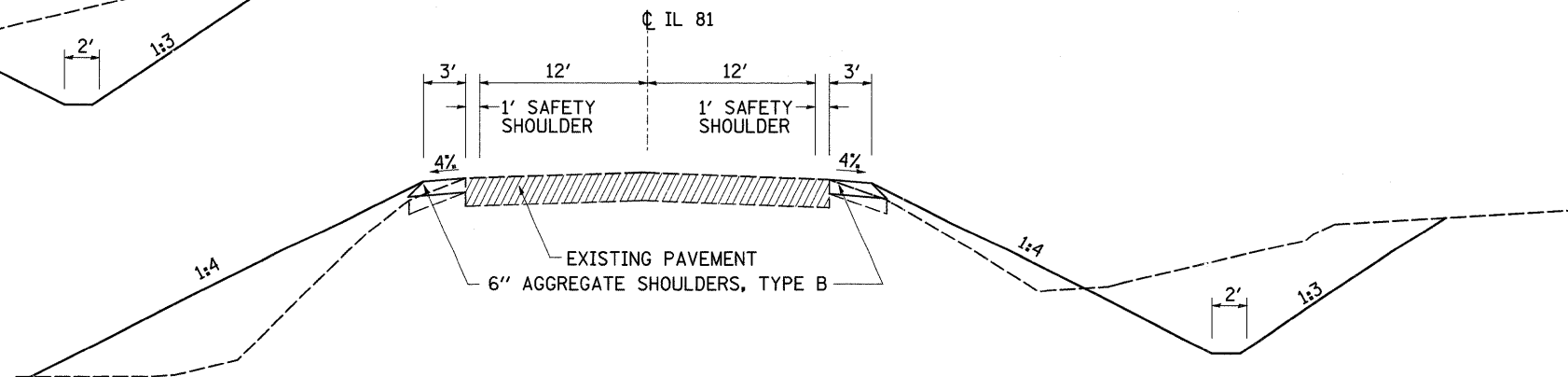
STA. 779+24 - STA. 779+53



STA. 778+19 - STA. 779+53



STA. 779+53 - STA. 779+75



* STA. 778+19 - STA. 779+24 LT
TEMPORARY SHOULDERS TO REMAIN IN PLACE

FILE NAME =	USER NAME = hensonke	DESIGNED -	REVISED -	STATE OF ILLINOIS DEPARTMENT OF TRANSPORTATION	TYPICAL SECTIONS			F.A.P. RTE.	SECTION	COUNTY	TOTAL SHEETS	SHEET NO.
0:\pw_work\FWIDOT\HENSONKE\dms34455\d1506.tpdgn		DRAWN -	REVISED -					611	103T-2	HENRY	35	6
PLOT SCALE = 50.0000' / IN.		CHECKED -	REVISED -		CONTRACT NO. 64C66							
PLOT DATE = Tue Dec 02 13:35:04 2008		DATE -	REVISED -		SCALE:	SHEET NO.	OF SHEETS	STA.	TO STA.	FED. ROAD DIST. NO.	ILLINOIS FED. AID PROJECT	