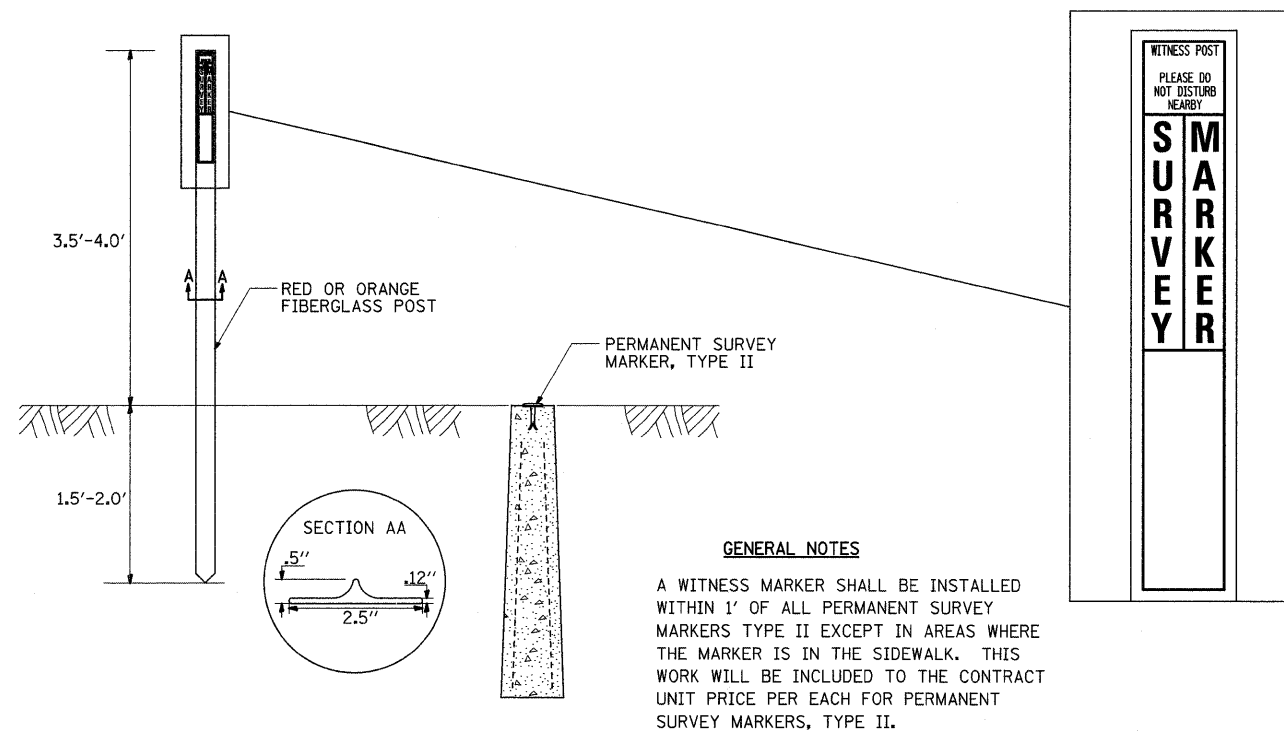
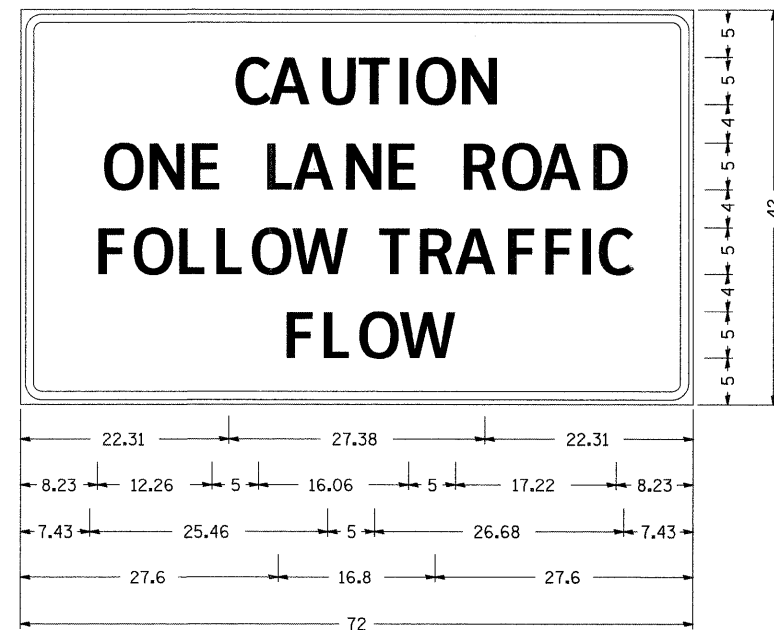


# WITNESS MARKER FOR PERMANENT SURVEY MARKERS, TYPE II

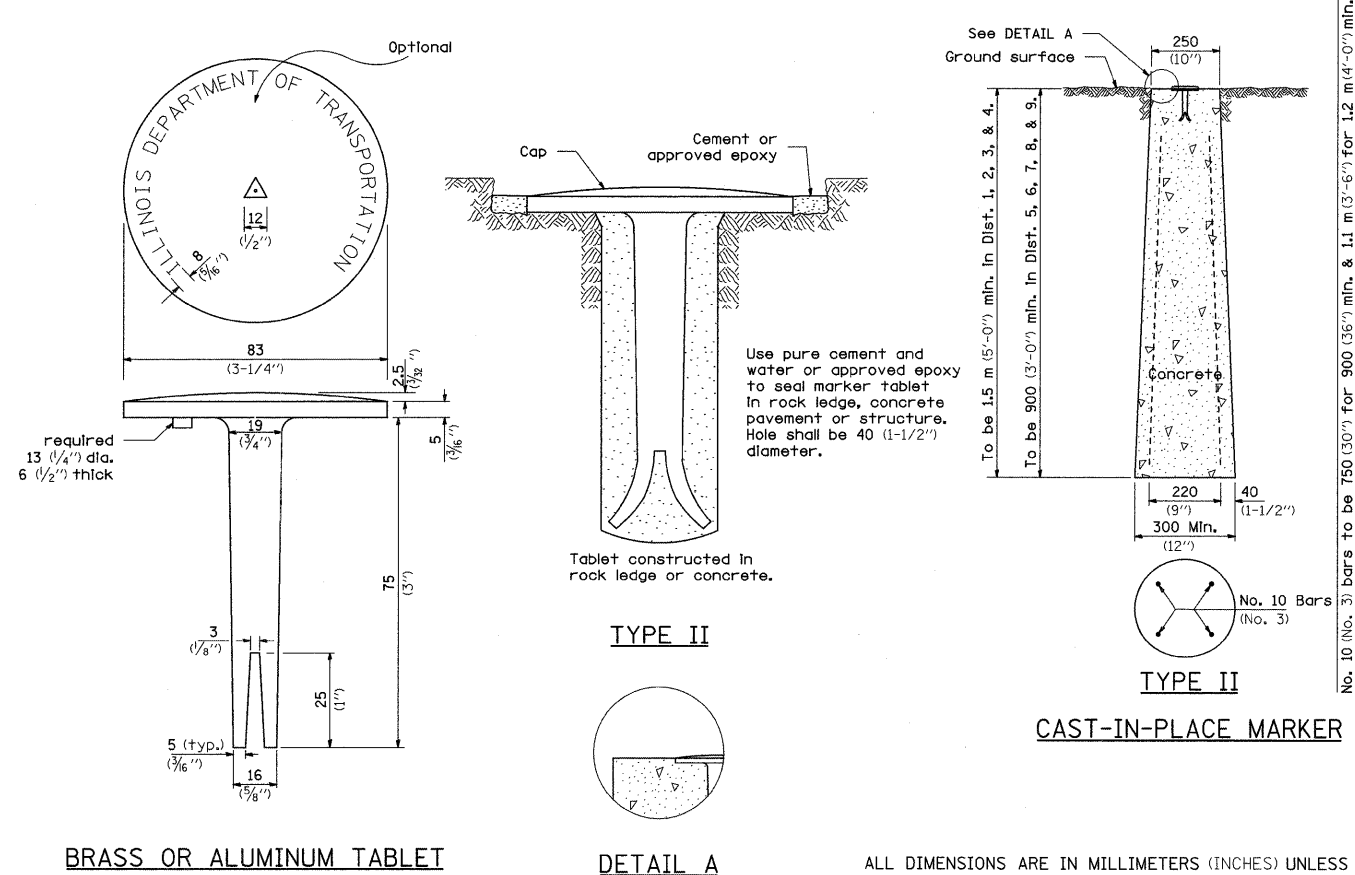


# ENTRANCE SIGN FOR USE WITH TEMPORARY SIGNALS



Type AA Fluorescent Orange Sheeting :  
 2.25" Radius, 0.88" Border, 0.50" Indent, Black on Orange;  
 [CAUTION] D; [ONE LANE ROAD] D;  
 [FOLLOW TRAFFIC] D; [FLOW] D

# PERMANENT SURVEY MARKERS, TYPE II



No. 10 (No. 3) bars to be 750 (30") for 900 (36") min. & 1.1 m (3'-6") for 1.2 m (4'-0") min.

Table Of Widths And Spaces

22.31	C	3.36	A	0.62	U	4.18	T	0.94	I	3.36	O	0.94	N	3.04	22.31										
8.23	O	3.51	N	1.17	E	3.36	L	3.05	A	0.31	N	4.18	E	0.94	3.36	1.17	3.05								
5.00	R	3.36	O	0.93	A	3.52	D	0.94	4.18	0.93	3.36	8.23	F	3.04	O	0.94	L	3.52	L	1.17	O	0.94	W	4.37	7.43
5.00	T	3.05	R	0.94	A	3.36	F	0.94	4.18	0.93	3.05	0.94	F	3.04	I	0.94	C	0.78	1.18	3.35	7.43				
27.60	F	3.05	L	0.94	O	3.04	W	0.94	3.52	0.93	4.38	27.60													

### GENERAL NOTES

THIS SIGN SHALL BE INSTALLED AT ENTRANCES LOCATED BETWEEN THE TEMPORARY SIGNALS AS DIRECTED BY THE ENGINEER.

ALL DIMENSIONS ARE IN INCHES UNLESS OTHERWISE NOTED.

THE COST TO FURNISH, INSTALL AND REMOVE THIS SIGN AT THE REQUIRED LOCATIONS SHALL BE INCLUDED IN THE COST OF TRAFFIC CONTROL AND PROTECTION STANDARD 701321.

ALL DIMENSIONS ARE IN MILLIMETERS (INCHES) UNLESS OTHERWISE NOTED.

REVISED - 10-21-08

REVISED - 10-28-05

REVISED -

REVISED -

REVISED -

REGION 2 / DISTRICT 2 STANDARD

SCALE: 600:0012 1" / SHEET NO. OF SHEETS STA. TO STA.

F.A.P. RTE.	SECTION	COUNTY	TOTAL SHEETS	SHEET NO.
611	103T-2	HENRY	35	24
FED. ROAD DIST. NO.			ILLINOIS FED. AID PROJECT	
			CONTRACT NO. 64C66	