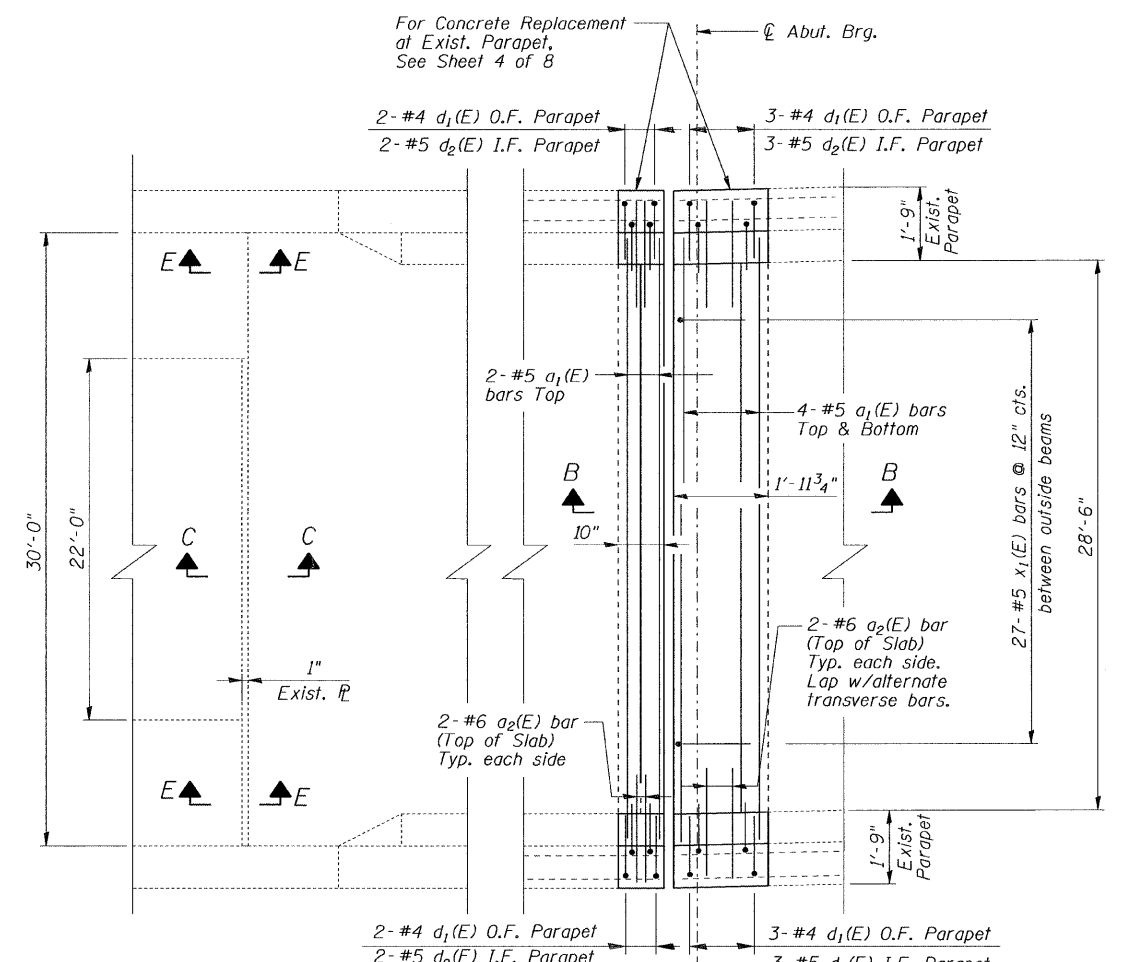
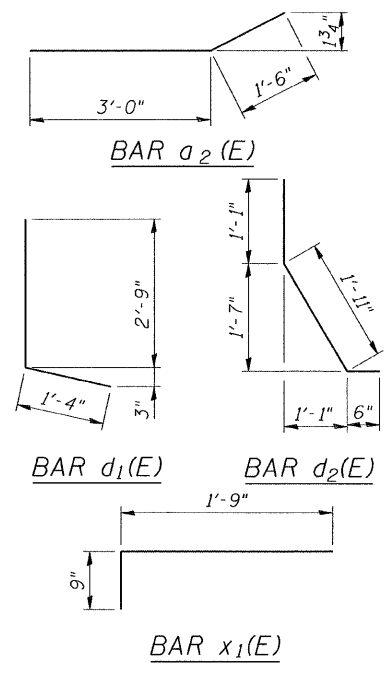


CONCRETE REMOVAL @ EXIST. NORTH ABUTMENT EXP. JOINT PLAN
EXIST. SOUTH ABUTMENT SIM. OPP. HAND PLAN



CONCRETE REMOVAL @ EXIST. NORTH ABUTMENT EXP. JOINT PLAN
EXIST. SOUTH ABUTMENT SIM. OPP. HAND PLAN



BILL OF MATERIAL

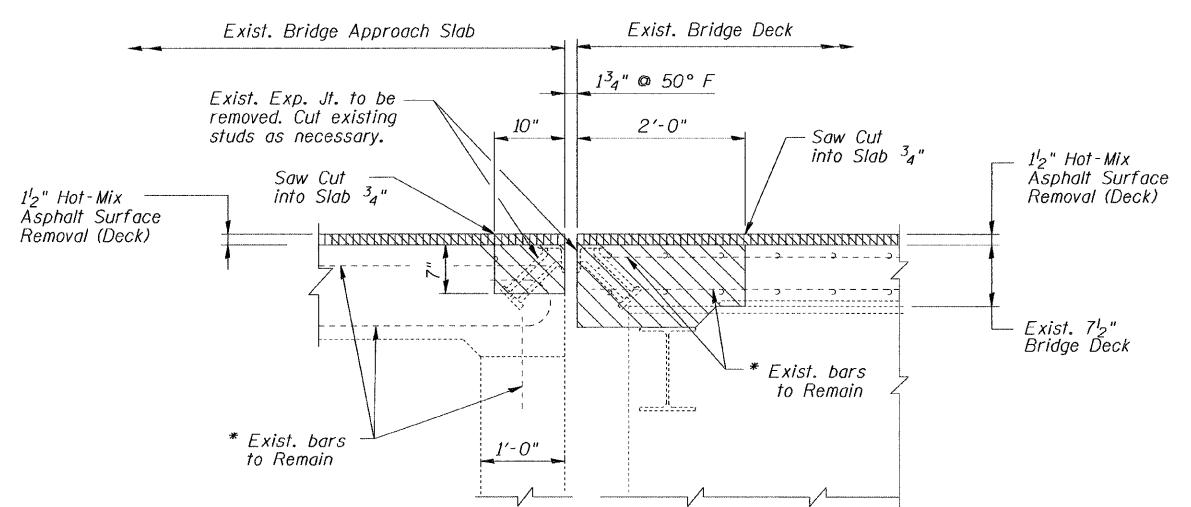
Bar	No.	Size	Length	Shape
a ₁ (E)	20	#5	30'-0"	—
a ₂ (E)	16	#6	4'-6"	—
a ₁₀ (E)	16	#5	2'-0"	—
d ₁ (E)	20	#4	4'-1"	L
d ₂ (E)	20	#5	3'-6"	L
x ₁ (E)	54	#5	2'-6"	L
Concrete Removal			Cu. Yd.	6.6
Concrete Superstructure			Cu. Yd.	7.0
Protective Coat			Sq. Yd.	16
Reinforcement Bars, Epoxy Coated			Pound	1,040

LEGEND

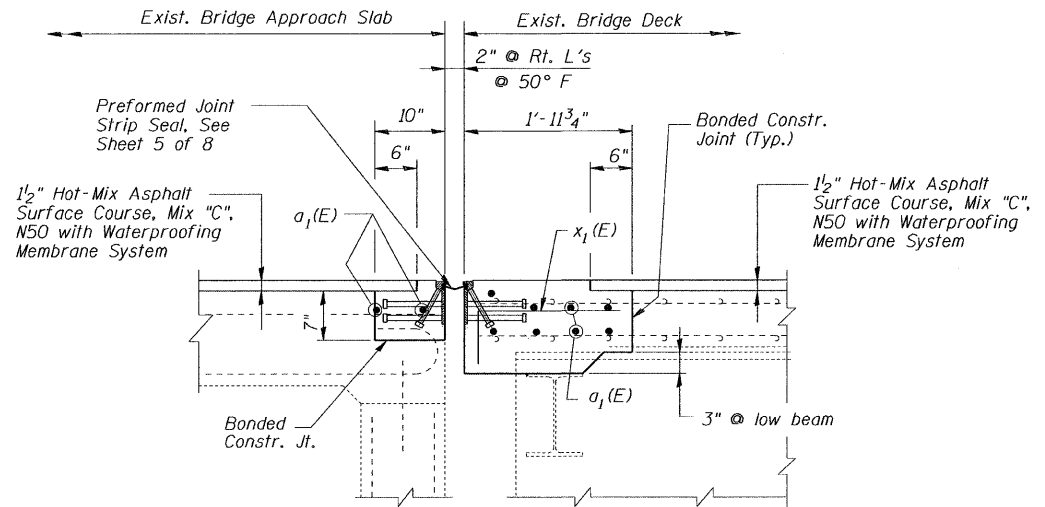
- Concrete Removal

NOTES:

- * Exist. reinforcement bars extending into the removal areas shall be cleaned, straightened and incorporated into the new construction. Any reinforcement bars that are damaged during concrete removal shall be replaced with approved bar splicer or anchorage system. Cost included with Concrete Removal.
- For Sections C-C and E-E, See Sheet 4 of 8.



SECTION A-A



SECTION B-B

Note:
Dimensions are based on a Rolled Rail Strip Seal Joint.
If the Contractor elects to use the Welded Rail Strip Seal Joint, deck dimensions may require adjustments to satisfy the details on Base Sheet EJ-SSJ as shown on Sheet 5 of 8.

DESIGNED	S.D.H.
CHECKED	E.E.J.
DRAWN	M.S.M.
CHECKED	S.D.H.

JOINT DETAILS
C.H. 25 (286th STREET) OVER I-88
F.A.I. ROUTE 88
SECTION: BRIDGE DECK REPAIRS 2007-1
ROCK ISLAND COUNTY
STATION 2008+40.54
S.N. 081-0126
DATE: 12-09-08
GRAEF, ANHALT, SCHLOEMER & ASSOCIATES INC
CHICAGO ILLINOIS

n:\jobs\2008\pilot\2001-4014-09\081-0126\cn26_50\th_ave\00\081-0126-S13.dgn 12/8/2008