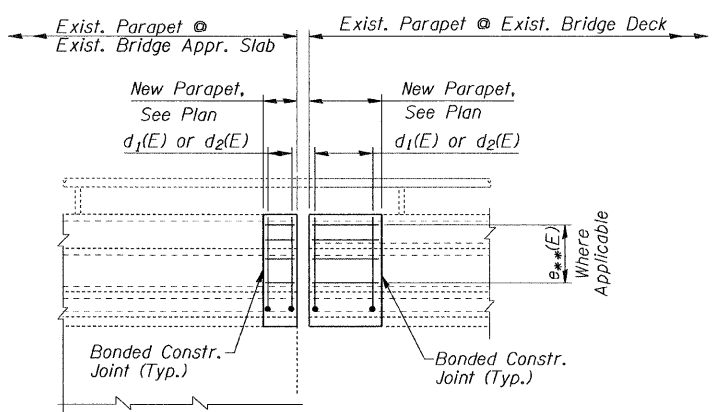
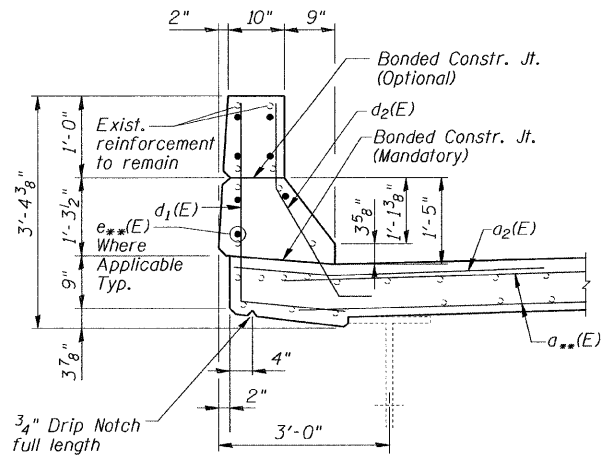


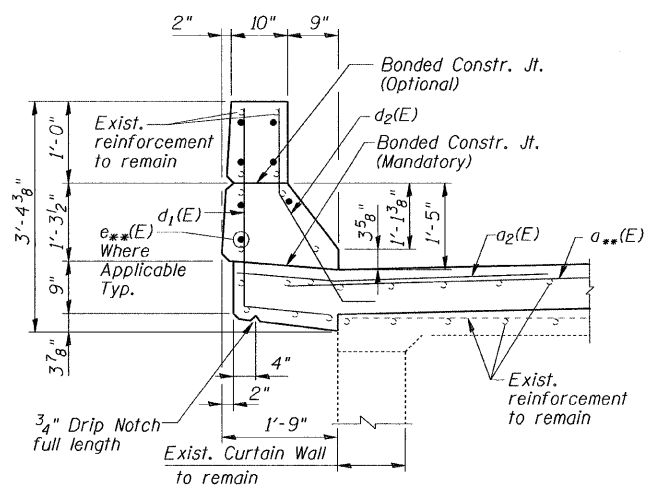
CONCRETE REMOVAL @
EXISTING PARAPET ELEVATION



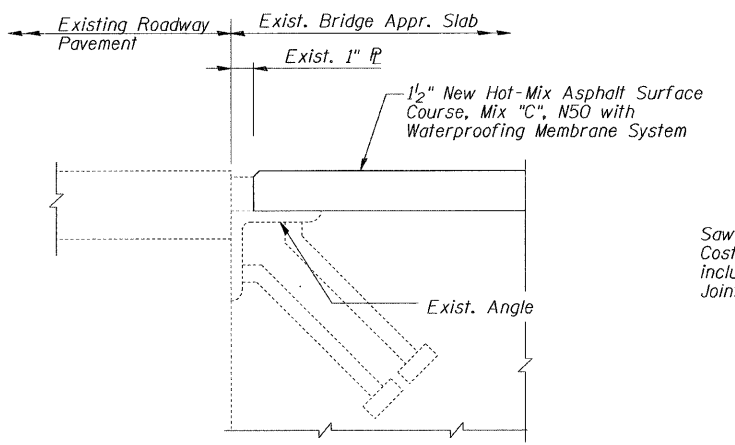
CONCRETE REPLACEMENT @
EXISTING PARAPET ELEVATION



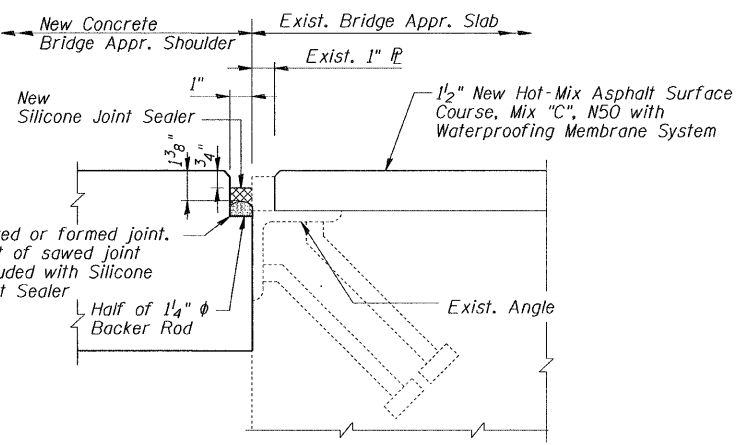
SECTION THRU NEW PARAPET
AT EXISTING BRIDGE DECK



SECTION THRU NEW PARAPET AT
EXISTING APPROACH SLAB



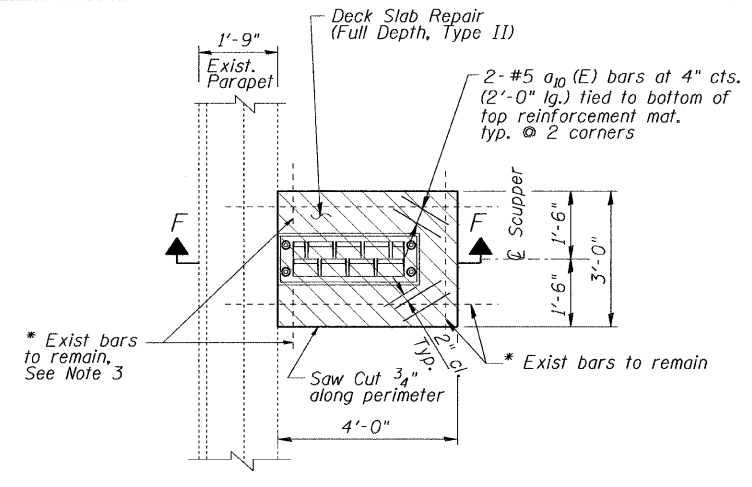
SECTION C-C



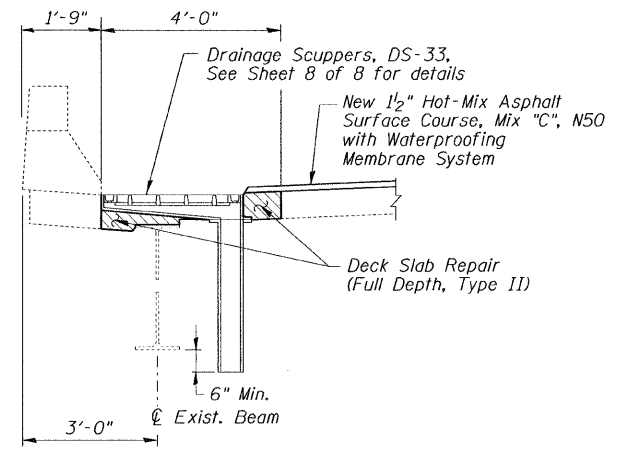
SECTION D-D

NOTES:

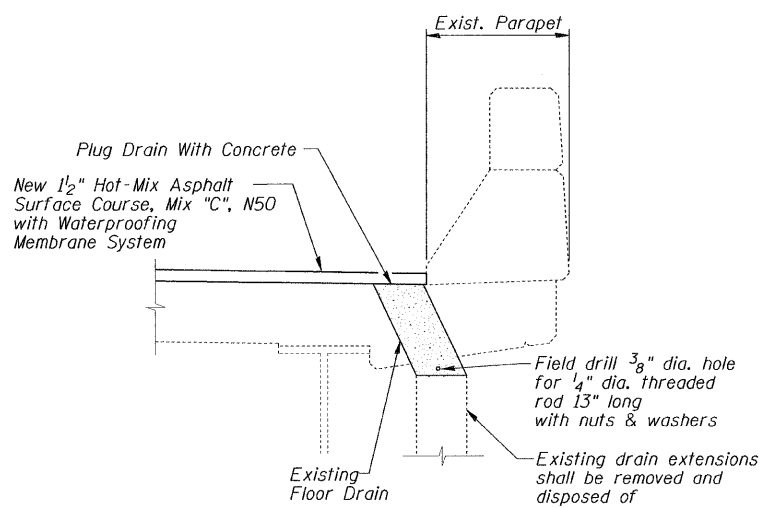
- * Exist. reinforcement bars extending into the removal areas shall be cleaned, straightened and incorporated into the new construction. Cut to fit as required. Any reinforcement bars that are damaged during concrete removal shall be replaced with approved bar splicer or anchorage system. Cost included with Concrete Removal or Deck Slab Repair (Full Depth, Type II).
- ** See Plan on "Joint Details" sheet for bar designation.
- Cut exist. longitudinal reinforcement to clear drainage scupper.
- Hatched areas indicate concrete sections to be removed and replaced. Perimeters of concrete removal areas shall be saw cut 3/4" prior to the removal of concrete.



NEW SCUPPER PLAN



SECTION F-F



DRAIN ELIMINATION DETAIL

DESIGNED	S.D.H.
CHECKED	E.E.J.
DRAWN	M.S.M.
CHECKED	S.D.H.

PARAPET & DECK SECTIONS & DETAILS
C.H. 49 (317th STREET) OVER I-88
F.A.I. ROUTE 88
SECTION: BRIDGE DECK REPAIRS 2007-1
ROCK ISLAND COUNTY
STATION 2130+77.86
S.N. 081-0132
DATE: 12-09-08
GRAEF, ANHALT, SCHLOEMER & ASSOCIATES INC
CHICAGO ILLINOIS

n:\jobs2008\plot\2001-40\4.09\08-0132\317th St.\00\081-0132-S25.dgn
12/8/2008