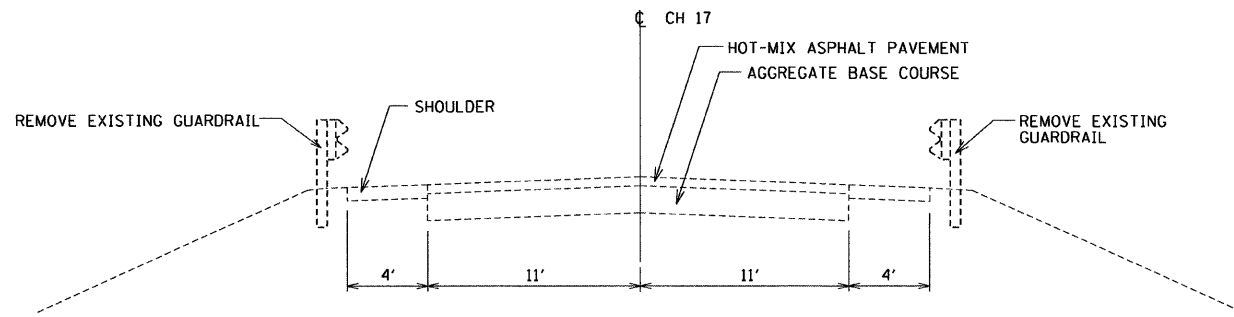


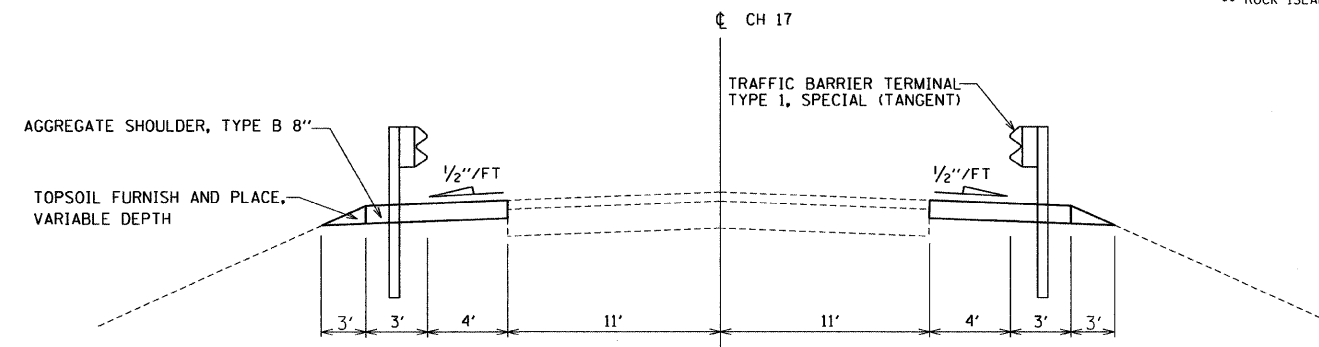
F.A.I. RTE.	SECTION	COUNTY	TOTAL SHEETS	SHEET NO.
88	*	**	64	30
STA. 3007+89.03		TO STA. 3020+92.38		
FED. AID PROJECT	ILLINOIS	FED. ROAD DIST. NO.		

- BRIDGE DECK REPAIRS 2007-1
- ROCK ISLAND & WHITESIDE



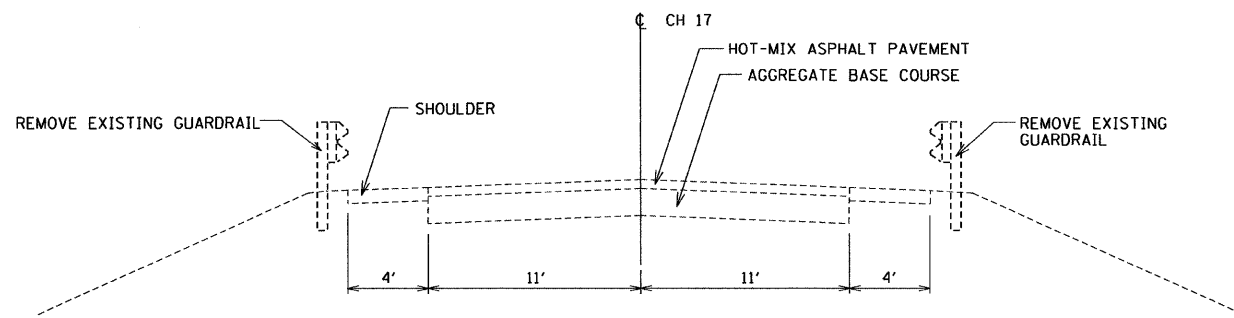
**EXISTING ROADWAY TYPICAL SECTION**

STA 3007+89.03 TO 3008+87.72  
STA 3019+93.41 TO 3020+92.38



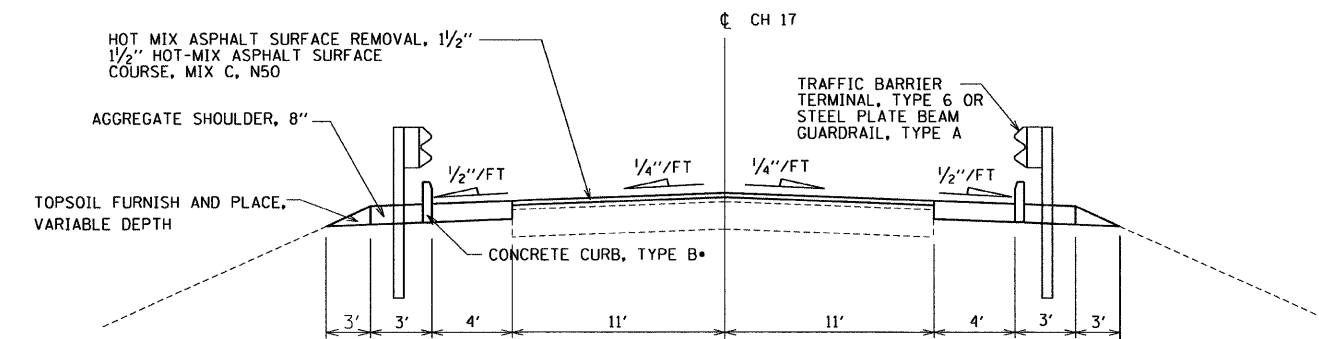
**PROPOSED ROADWAY TYPICAL SECTION**

STA 3007+89.03 TO 3008+87.72  
STA 3019+93.41 TO 3020+92.38



**EXISTING ROADWAY TYPICAL SECTION**

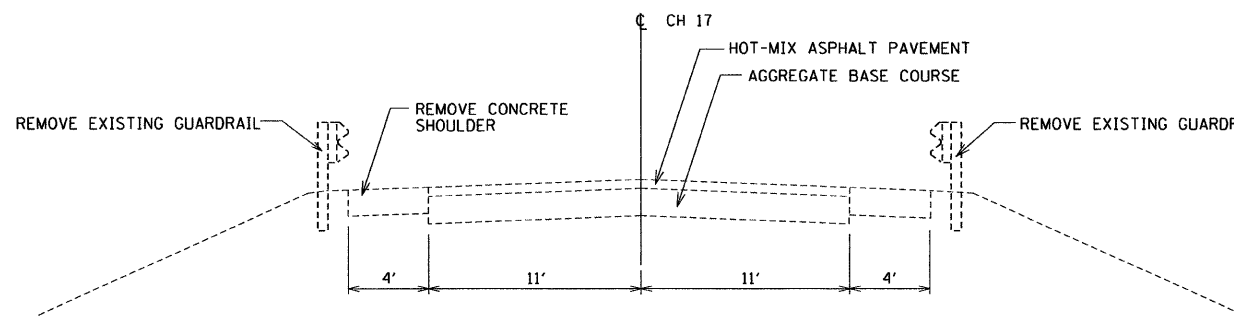
STA 3012+48.25 TO 3012+70.36 LT  
STA 3012+48.25 TO 3012+85.62 RT  
STA 3015+94.40 TO 3016+40.25 LT  
STA 3016+09.65 TO 3016+40.25 RT



**PROPOSED ROADWAY TYPICAL SECTION**

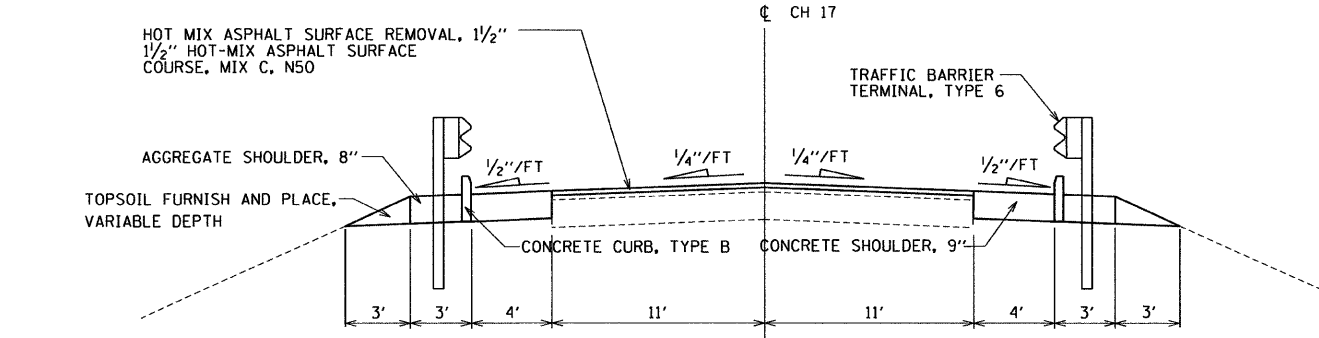
STA 3012+48.25 TO 3012+70.36 LT  
STA 3012+48.25 TO 3012+85.62 RT  
STA 3015+94.40 TO 3016+40.25 LT  
STA 3016+09.65 TO 3016+40.25 RT

- STA 3012+55.51 TO 3012+70.36 LT
- STA 3012+70.09 TO 3012+85.62 RT
- STA 3015+94.40 TO 3016+09.93 LT
- STA 3016+09.65 TO 3016+24.50 RT



**EXISTING ROADWAY TYPICAL SECTION**

STA 3012+70.36 TO 3012+98.25 LT  
STA 3012+85.62 TO 3012+98.25 RT  
STA 3015+82.25 TO 3015+94.40 LT  
STA 3015+82.25 TO 3016+40.25 RT



**PROPOSED ROADWAY TYPICAL SECTION**

STA 3012+70.36 TO 3012+98.25 LT  
STA 3012+85.62 TO 3012+98.25 RT  
STA 3015+82.25 TO 3015+94.40 LT  
STA 3015+82.25 TO 3016+40.25 RT

- HOT-MIX ASPHALT SURFACE COURSE 112 LBS/IN THICK/SQ YD
- HOT-MIX ASPHALT SHOULDER 112 LBS/IN THICK/SQ YD
- TEMPORARY EROSION CONTROL SEEDING 100 LB/ACRE

REVISIONS	
NAME	DATE

ILLINOIS DEPARTMENT OF TRANSPORTATION  
CH 17 (WILMOT ROAD) BRIDGE OVER I-88  
STRUCTURE NO.: 098-0058  
BRIDGE REHABILITATION

**TYPICAL SECTIONS**

SCALE: NTS  
DATE 12/09/08

DRAWN BY EF  
CHECKED BY RS