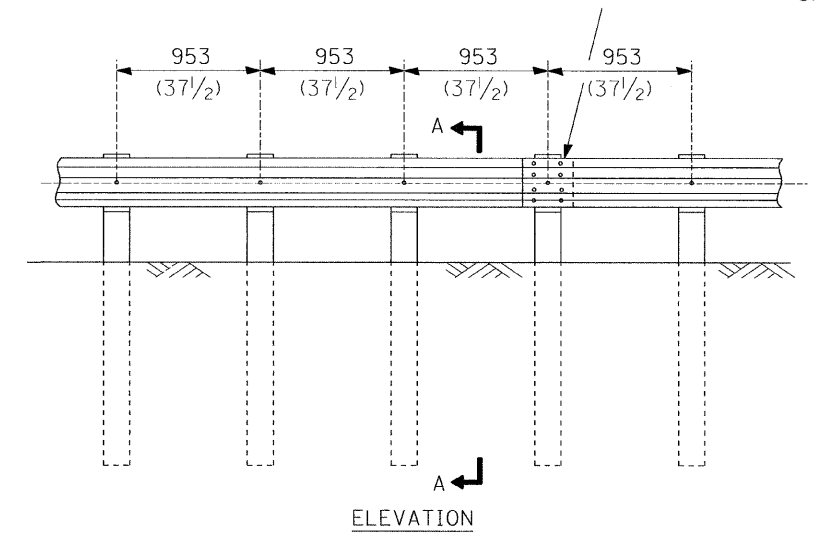
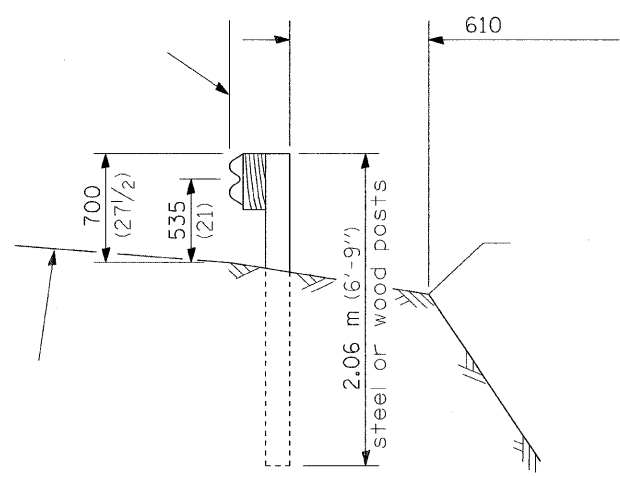


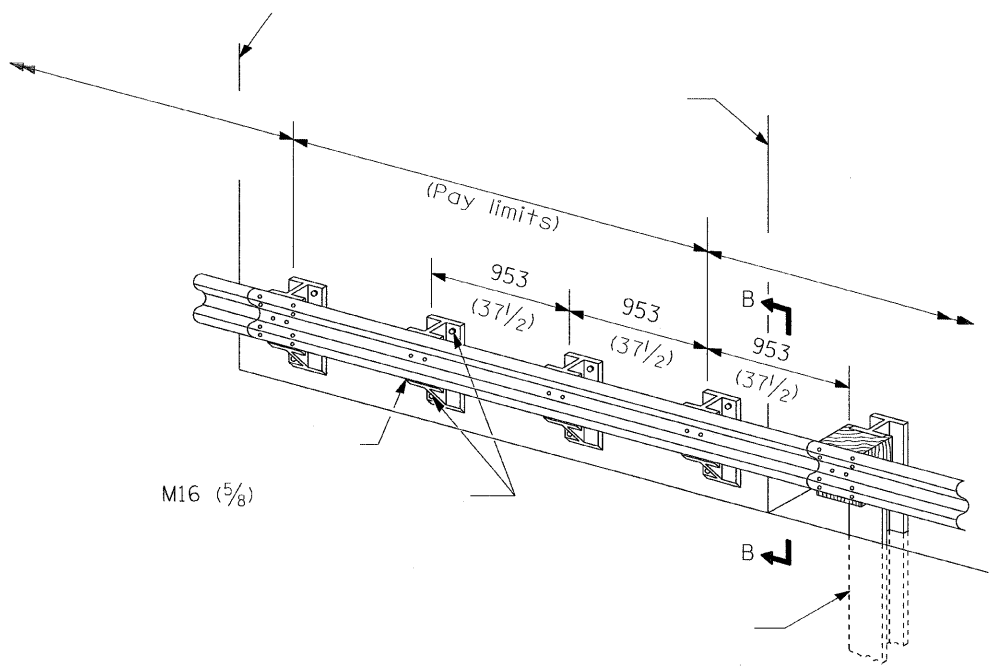
**TYPE A**

1.905 m (6'-3'')



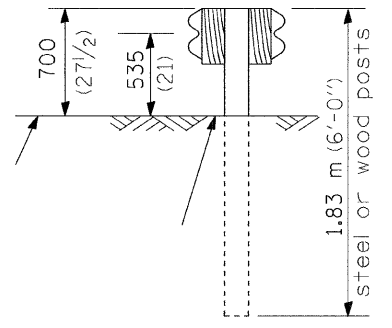
**TYPE B**

953 (37 1/2) Closed post spacing

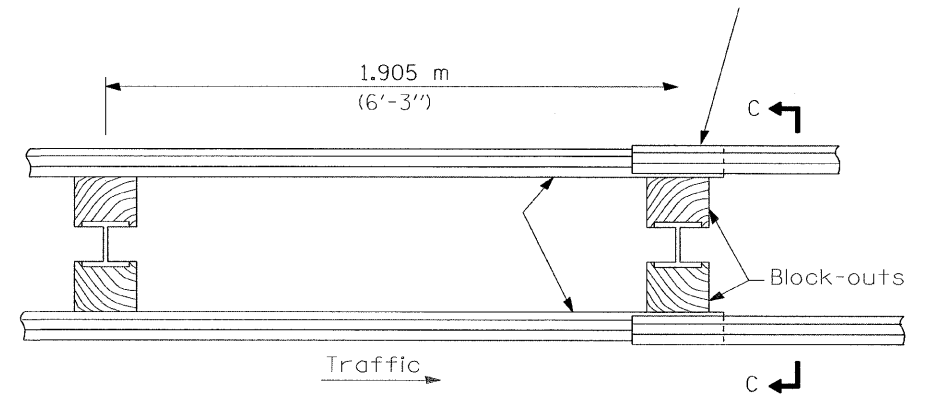


**TYPE C**

953 (37 1/2) Block-out spacing

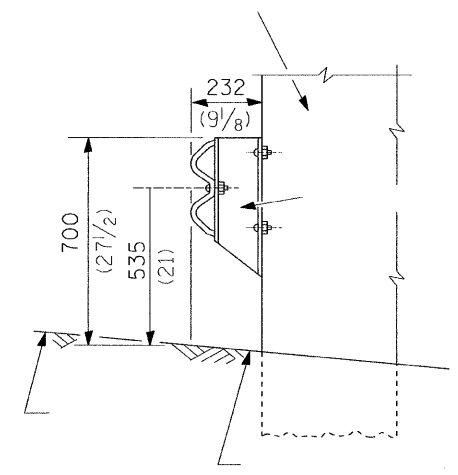


**SECTION C-C**



**TYPE D**

1.905 m (6'-3'')



**SECTION B-B**

GENERAL NOTES

DATE	REVISIONS
4-1-06	Deleted plate washer F.
1-1-05	Rev. post in impervious material on sheet 4.

STEEL PLATE BEAM  
GUARDRAIL DETAILS

(Sheet 1 of 4)

**STANDARD 630001-06**