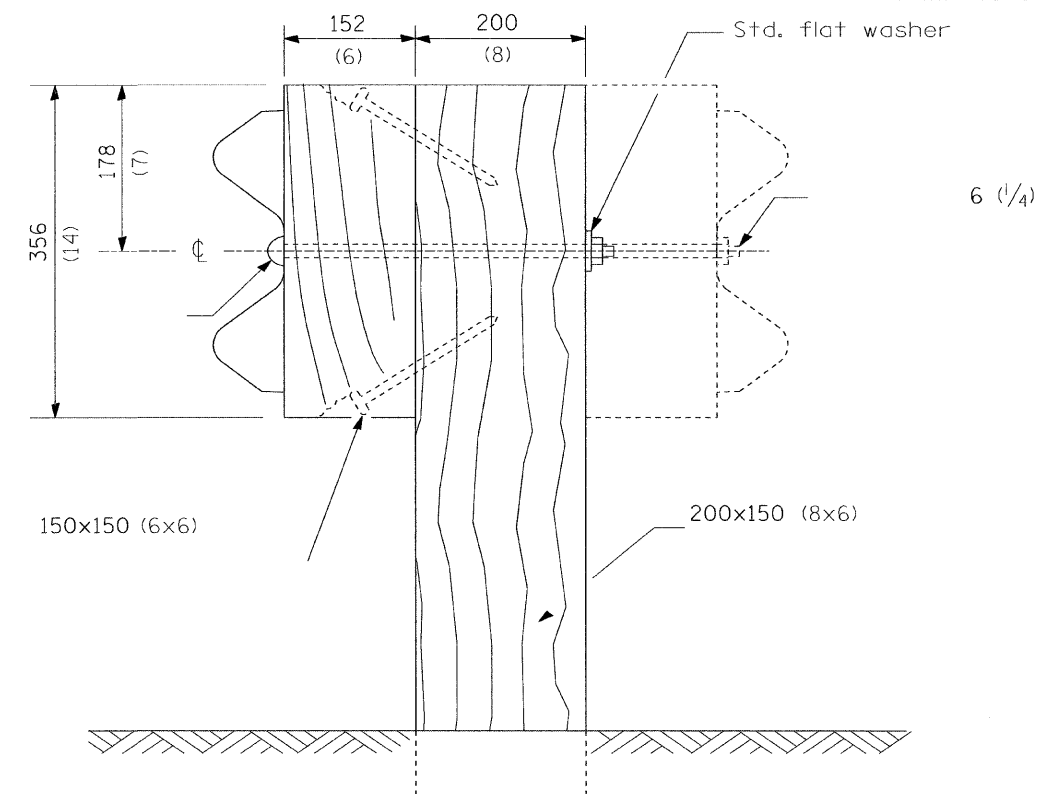
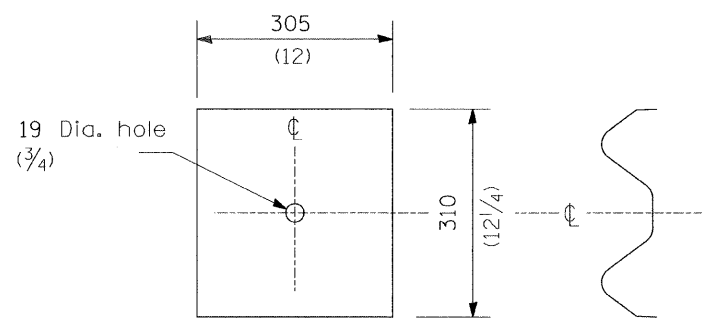
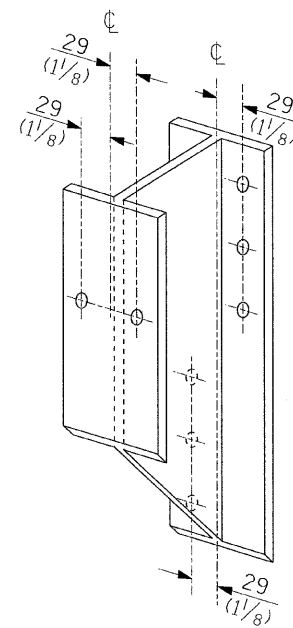


STEEL POST CONSTRUCTION

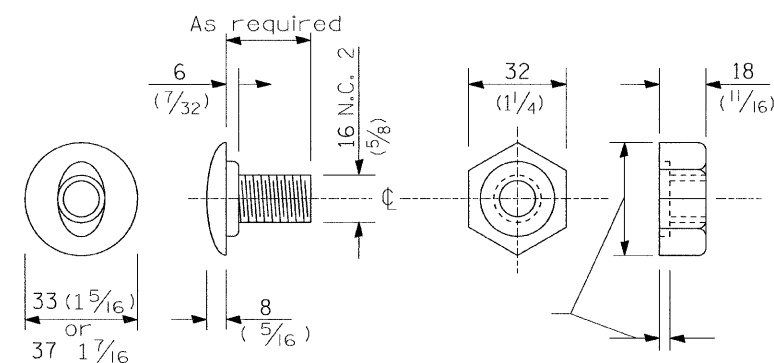


WOOD POST CONSTRUCTION



NOTE

PLATE A



POST OR SPLICE BOLT & NUT

STEEL PLATE BEAM
GUARDRAIL DETAILS

(Sheet 2 of 4)

STANDARD 630001-06