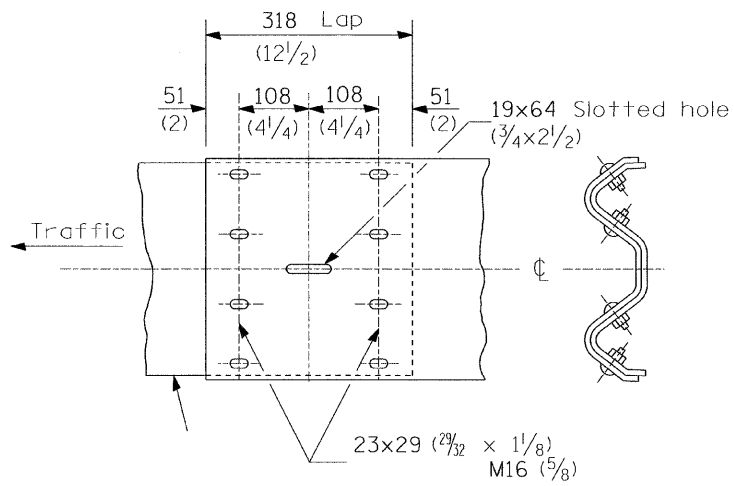
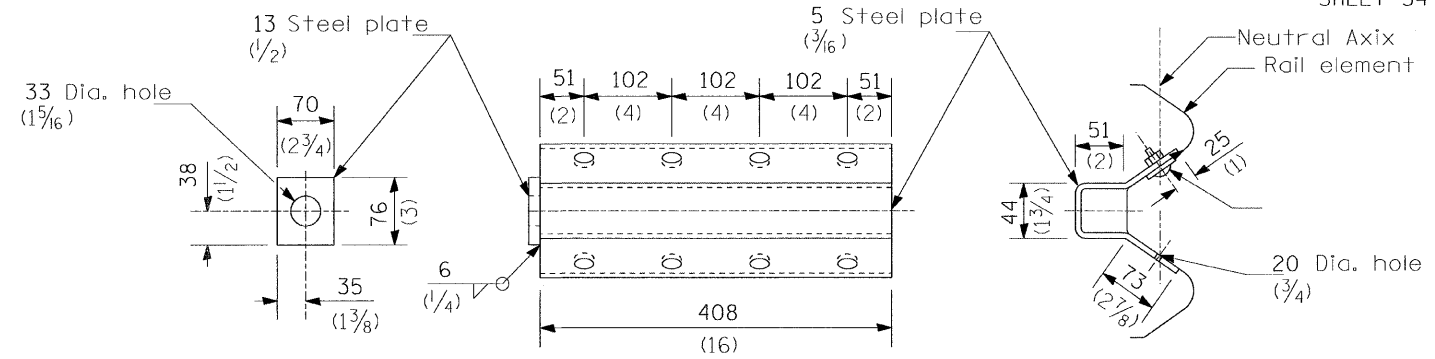


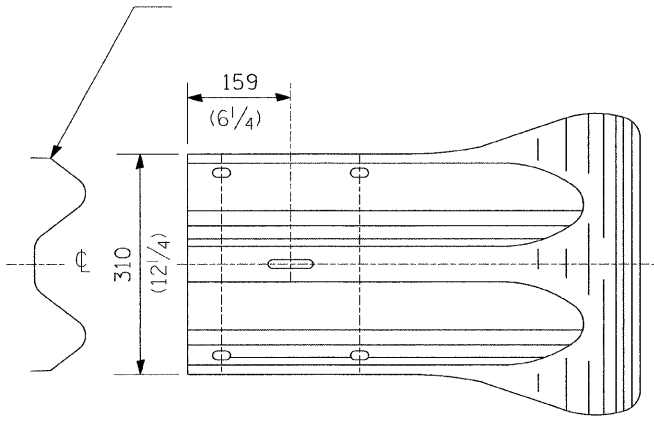
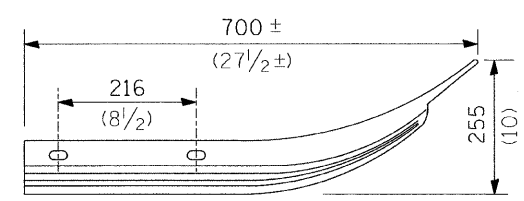
SPLICE PLATE



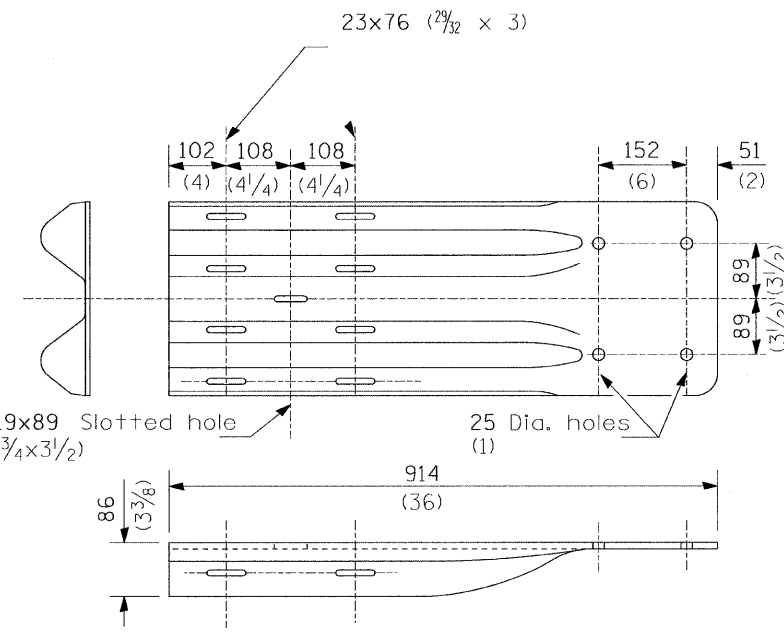
RAIL ELEMENT SPLICE



ANCHOR PLATE T DETAILS

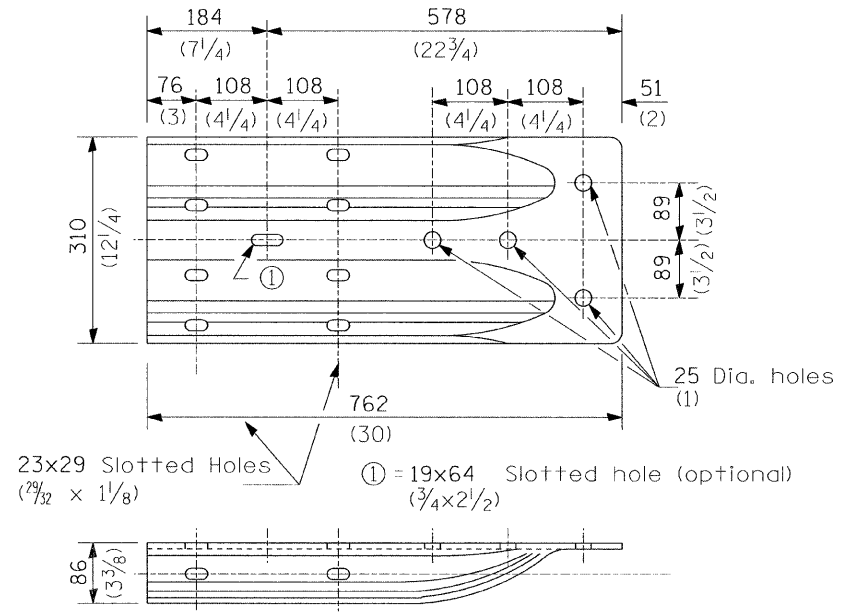


END SECTION



NOTE

END SHOE



ALTERNATE END SHOE

**STEEL PLATE BEAM
GUARDRAIL DETAILS**

(Sheet 3 of 4)

STANDARD 630001-06