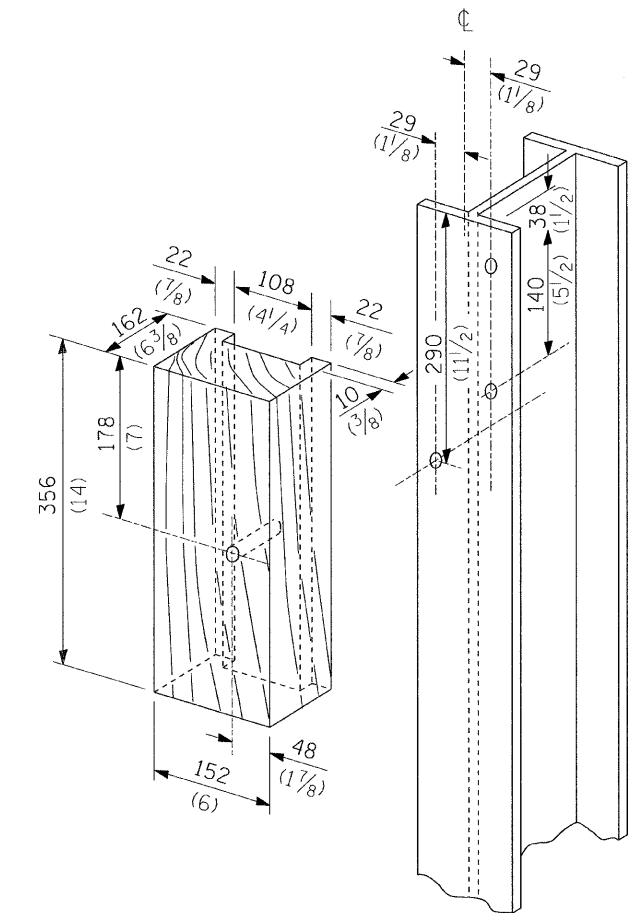
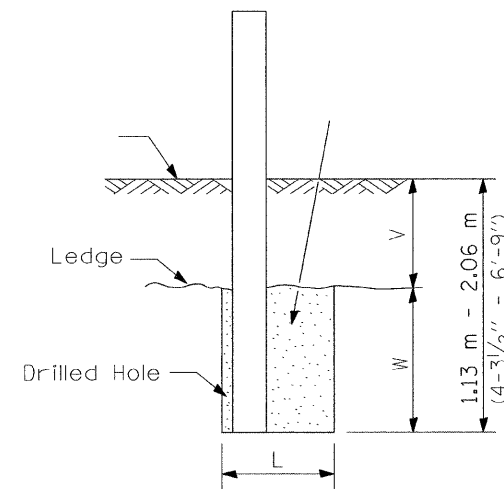


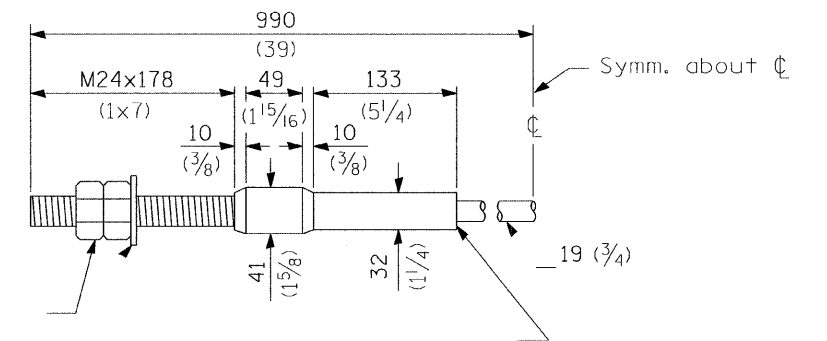
3.0 m (10'-0") M-5 (M-2) 300 (12)

GUARDRAIL PLACED BEHIND CURB

(D = 0 desirable to 300 (12) maximum)



M24 (1)



CABLE ASSEMBLY

18,100 kg
Tighten to taut tension.

**STEEL PLATE BEAM
GUARDRAIL DETAILS**

(Sheet 4 of 4)

STANDARD 630001-06