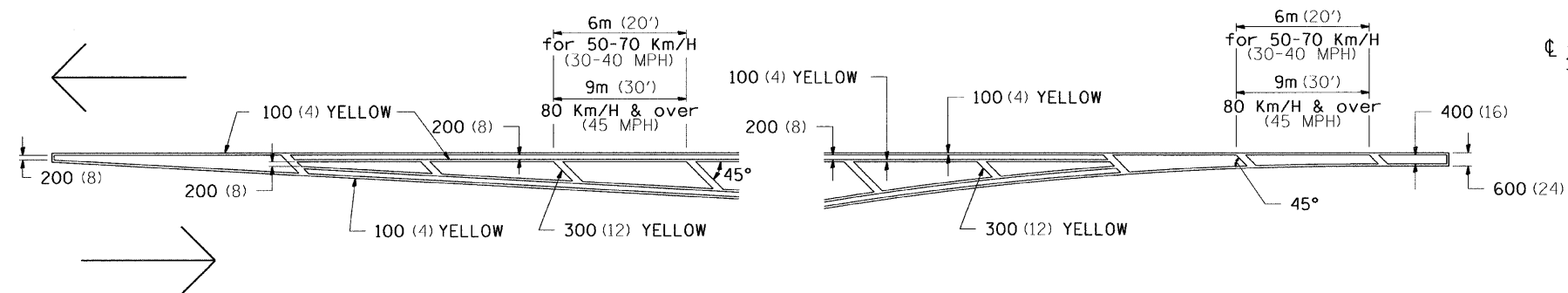
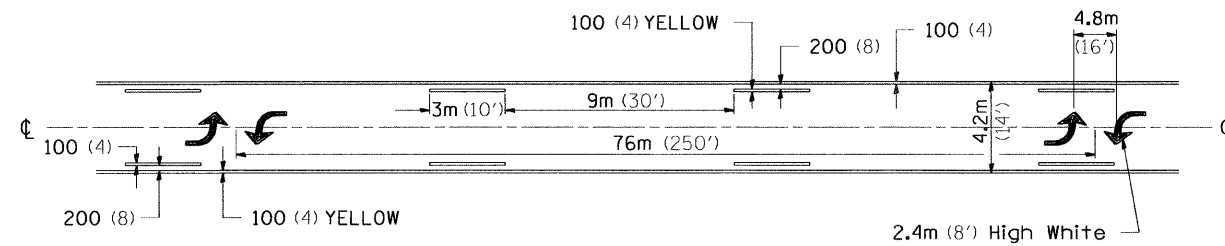


TYPICAL PAVEMENT MARKINGS

TYPICAL PAVEMENT MARKING FOR FLUSH MEDIAN AT LEFT TURN LANE

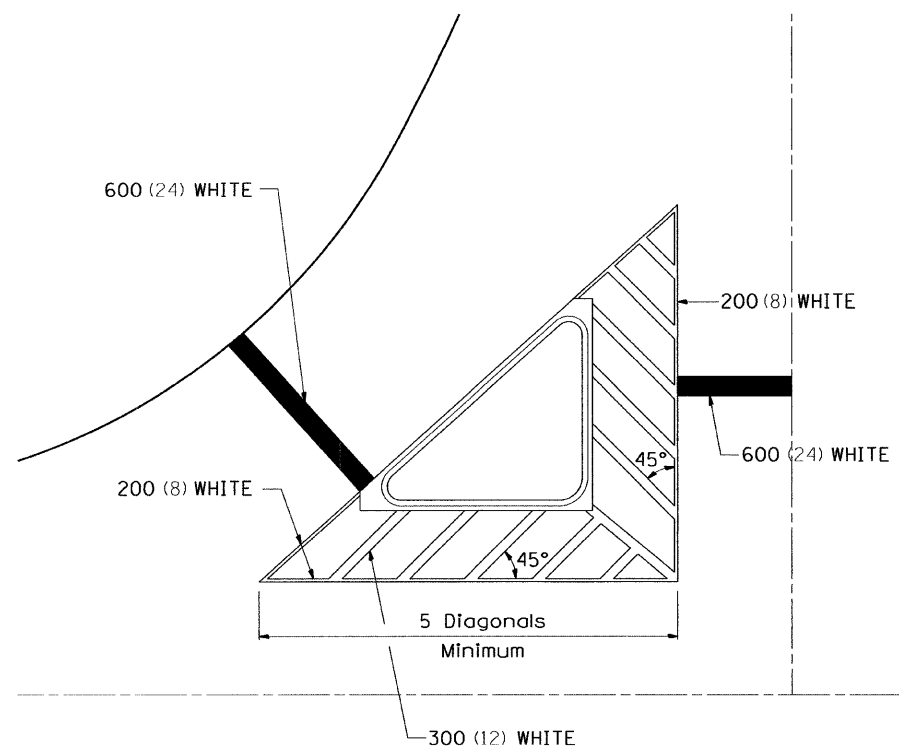


MEDIAN PAVEMENT MARKING

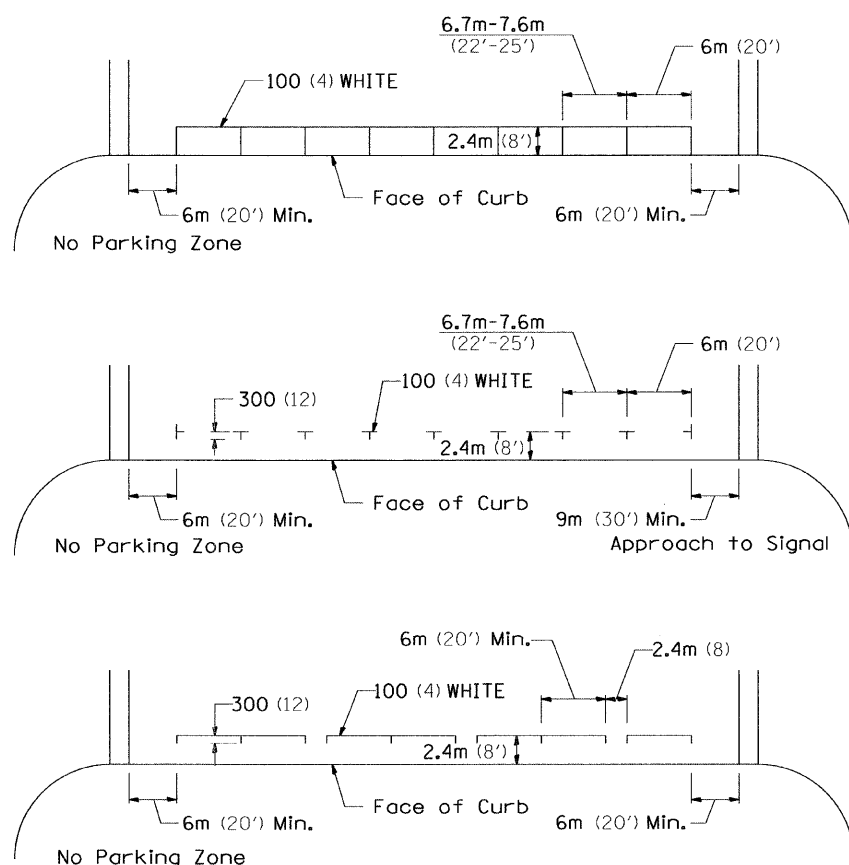


•• ALL DIMENSIONS ARE IN MILLIMETERS (INCHES) UNLESS OTHERWISE NOTED.

TYPICAL ISLAND OFFSET SHOULDER WIDTH

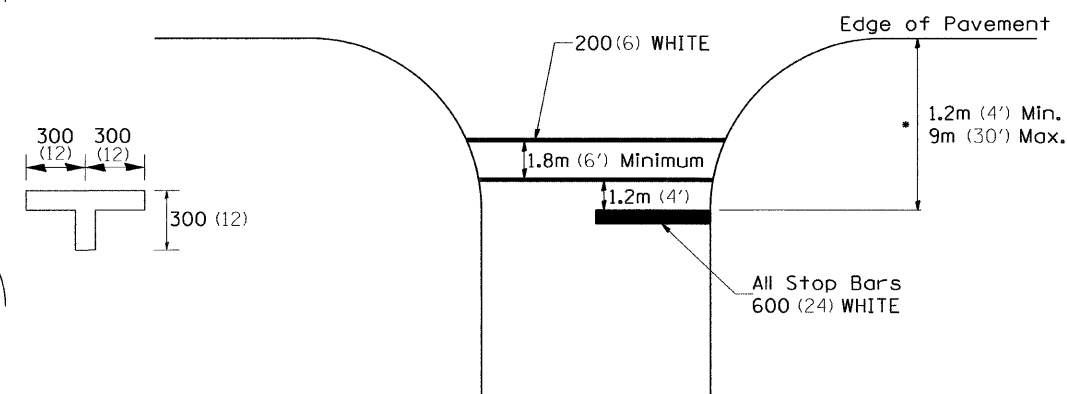


TYPICAL PARKING SPACING



STANDARD CROSSWALK MARKING

See Schedules for Locations



• Distance to the nearest edge of the intersecting roadway in the absence of a marked crosswalk.

• BRIDGE DECK REPAIRS 2007-1
•• ROCK ISLAND & WHITESIDE

FILE NAME =	USER NAME = .USER.	DESIGNED -	REVISED - 10-21-08	STATE OF ILLINOIS DEPARTMENT OF TRANSPORTATION	REGION 2 / DISTRICT 2 STANDARD	F.A.I. RTE.	SECTION	COUNTY	TOTAL SHEETS	SHEET NO.	
#FILEL\$		DRAWN -	REVISED -			88	.	••	64	62	
	PLOT SCALE = 0.9506' / IN.	CHECKED -	REVISED -			CONTRACT NO. 64Q24					
	PLOT DATE = 12/8/2008	DATE -	REVISED -			FED. ROAD DIST. NO. [ILLINOIS] FED. AID PROJECT					
						SCALE: _____ SHEET NO. _____ OF _____ SHEETS STA. _____ TO STA. _____					
						TYPICAL PAVEMENT MARKINGS SHEET 1 OF 3 41.1					