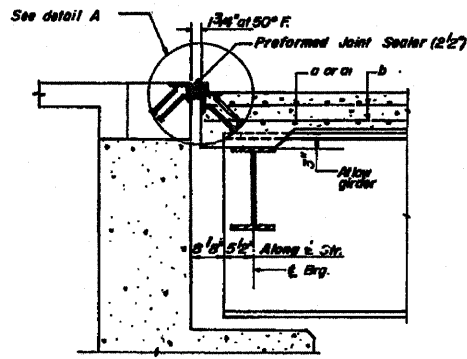
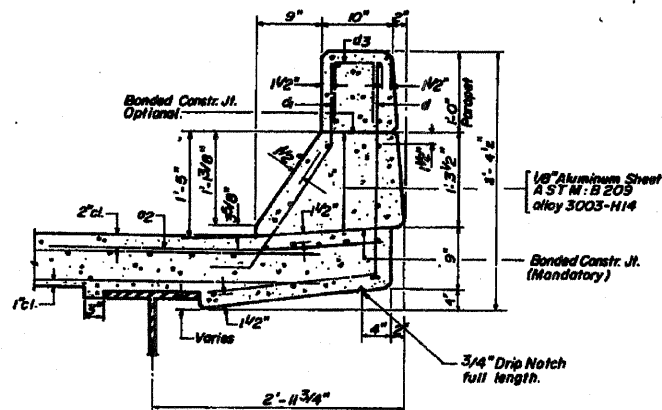


FOR INFORMATION ONLY

DATE	DESIGN	PROJECT	SHEET NO.	TOTAL SHEETS
11-2	IP-2	WINTERSIDE	230	113
SHEET NO. 5				
17 SHEETS				

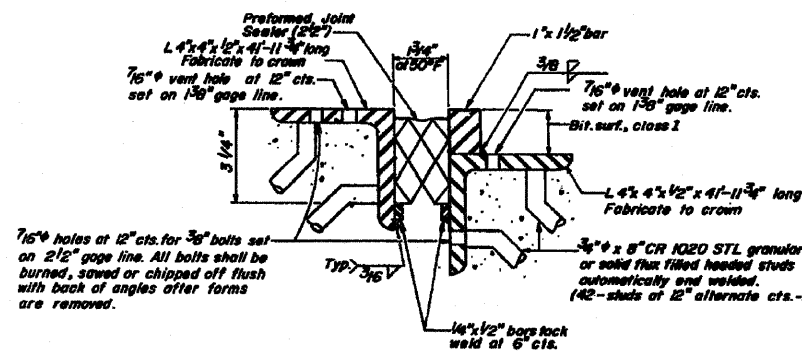


SECTION A-A



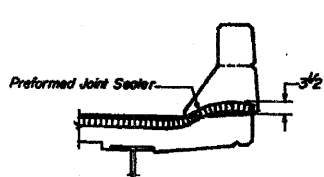
CURB SECTION

Cost of Aluminum Sheets shall be incidental to Class X Concrete.

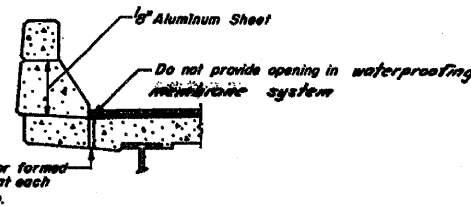


DETAIL A

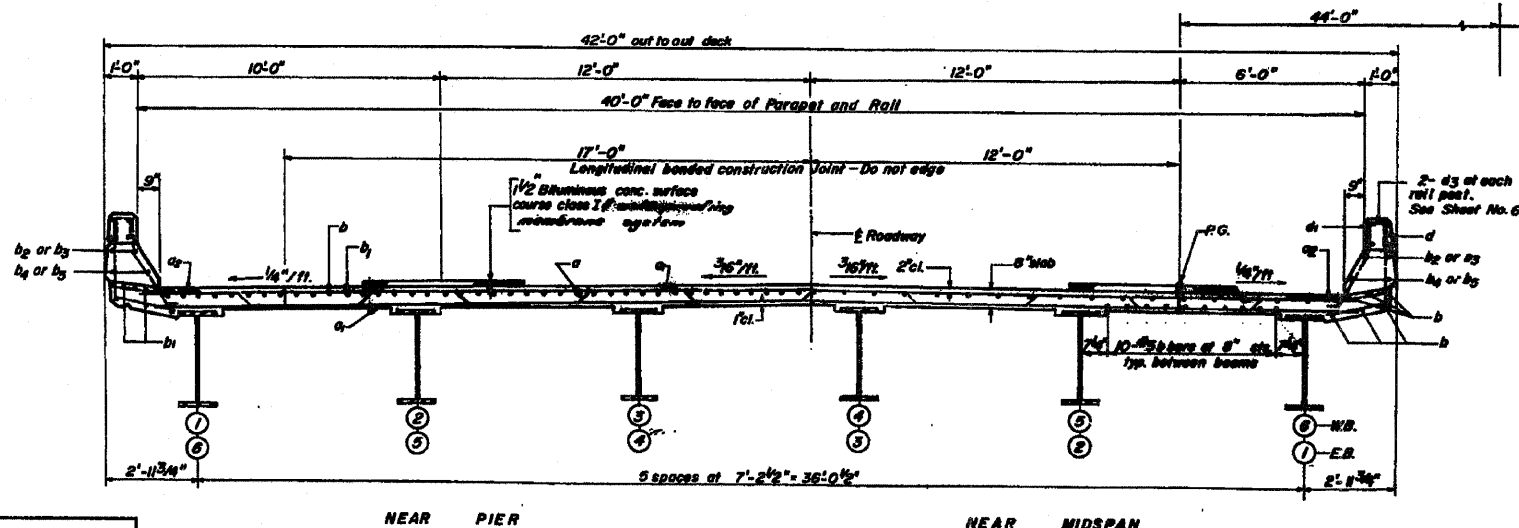
PREFORMED JOINT SEALER (2 1/2")



TYPICAL END OF SEALER TREATMENT

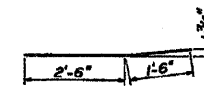


SECTION AT CURB JOINTS

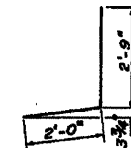


CROSS SECTION

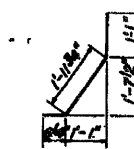
W.B. ROADWAY LOOKING EAST
E.B. ROADWAY LOOKING WEST



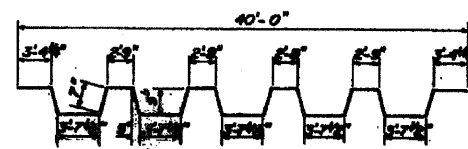
BAR a2



BAR d



BAR d1



BAR a

ONE BRIDGE BILL OF MATERIAL

BAR NO.	SIZE	LENGTH	SHAPE
a1	108	41'-0"	U
a2	240	4'-0"	—
b1	404	28'-3"	—
b2	84	16'-0"	—
b3	8	30'-0"	—
b4	8	25'-4"	—
b5	8	30'-0"	—
b6	8	25'-4"	—
d1	220	4'-9"	J
d2	220	3'-7"	J

Material	Units	Quantity
Biluminous Concrete Surface Course Class I	Tons	40
Minimex Alum. Spl.	Sq. Yds.	470
Protective Coat	Sq. Yds.	104
Reinforcement Bars	Lbs.	34,820
Class X Concrete	Cu. Yds.	137.5
Structural Steel	Lbs.	100,400

Note: Bill of Material for one bridge only. Material for two bridges required.

** Weight of bearing assemblies with lead plates and anchor bolts are included as Structural Steel

* Parapet Reinforcement and Class X Concrete are billed on sheet No. 6

Note: Work this sheet with sheet No. 4

DECK DETAILS

FA 403 SECTION 186-118-B

FA 403 OVER TR 136-A

WINTERSIDE COUNTY

* FA1 Route 88 & FAP Route 309 (I-88 & US 30) STATION 100+11.85

** 02 Bridge Painting 2009-2

096-00634

FILE NAME: P:\PAINTING\64E63\PLA\Neng.dgn	USER NAME: Iinkj	DESIGNED: B.T.M.	REVISION:	STATE OF ILLINOIS	SECTION:	COUNTY:	TOTAL SHEETS:
		CHECKED: H.S.	REVISION:	DEPARTMENT OF TRANSPORTATION		WhiteSide	29
		DRAWN: A.M.	REVISION:				18
		CHECKED: H.S.	REVISION:				CONTRACT NO. 64E63
PLT SCALE: 58.0000 / IN.	CHECKED:	DATE:	REVISION:	SCALE:	SHEET NO. OF SHEETS	STA. TO STA.	FED. ROAD DIST. NO. ILLINOIS FED. AID PROJECT
PLT DATE: Fri Dec 05 13:41:29 2008							