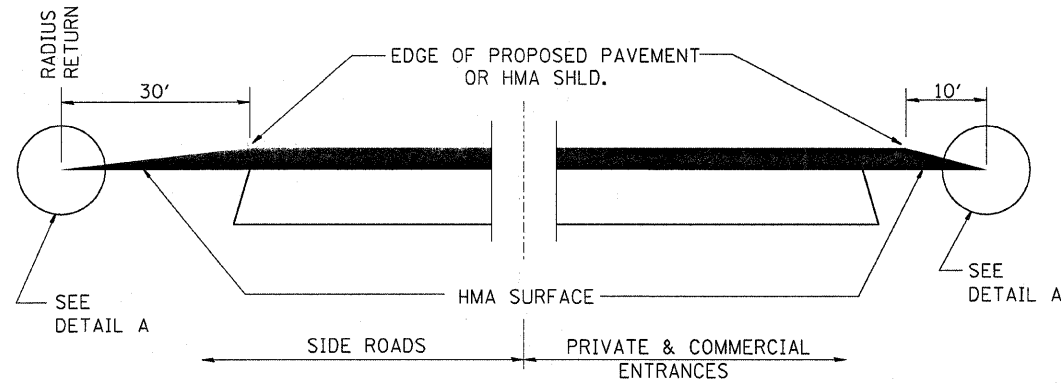


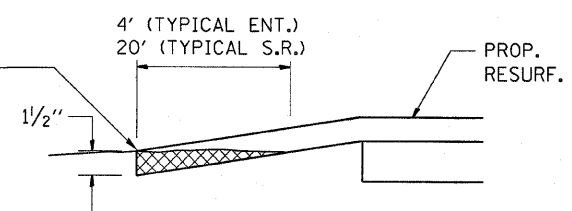
F.A.P. RTE.	SECTION	COUNTY	TOTAL SHEETS	SHEET NO.
681	(115RS-3 & 116RS-2)	FORD & LIVINGSTON	12	12
STA. _____		TO STA. _____		
FED. ROAD DIST. NO. _____		ILLINOIS FED. AID PROJECT		

CONTRACT #66422

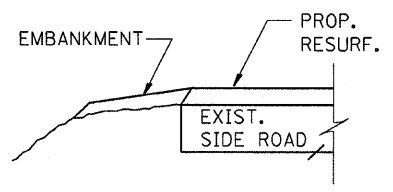


SECTION A-A  
DETAILS AT ENTRANCES & SIDE ROADS

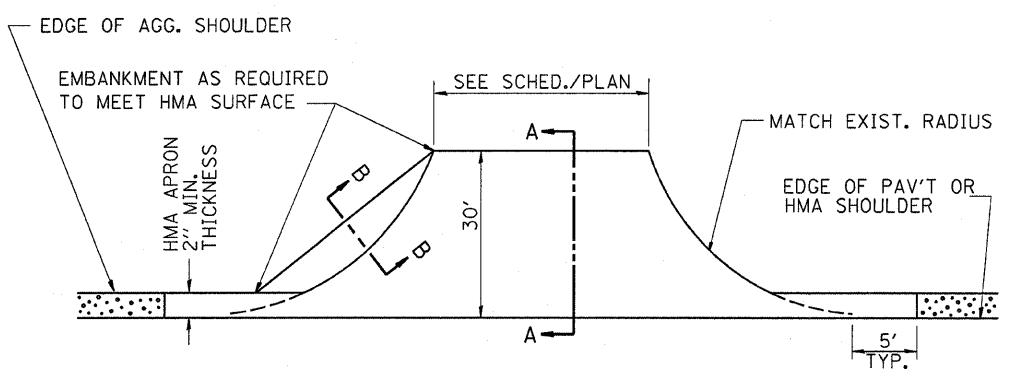
THE COST OF REMOVAL AT EXISTING HMA OR P.C.C. LOCATIONS SHALL BE PAID FOR PER SQ. YD. BY THE APPROPRIATE PAY ITEM. REMOVAL AT EXISTING AGG. LOCATIONS SHALL BE INCIDENTAL TO THE HMA. A-3 LOCATIONS SHALL BE FEATHER TAPERED.



DETAIL A



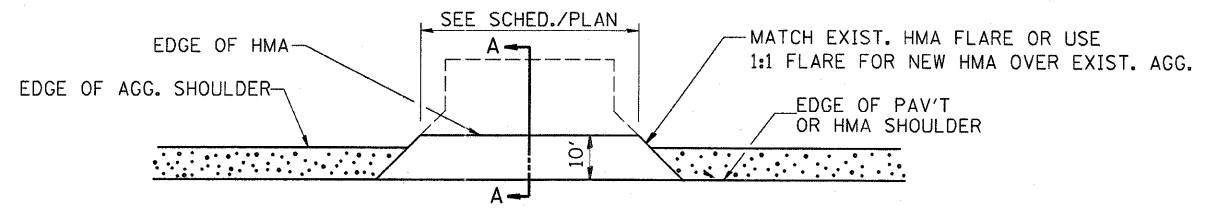
SECTION B-B



AGG. SHOULDER IS NOT TO BE PLACED AROUND SIDE ROAD RADII

PROP. HMA SHLD. SHALL NOT BE CONSTRUCTED THRU HMA SIDEROADS.

PLAN AT SIDE ROADS



PLAN AT PRIVATE & COMMERCIAL ENTRANCES  
(DO NOT RESURFACE FIELD ENTRANCES)

REVISIONS	
NAME	DATE

ILLINOIS DEPARTMENT OF TRANSPORTATION

DETAILS

SCALE: VERT. \_\_\_\_\_  
HORIZ. \_\_\_\_\_  
DATE \_\_\_\_\_

DRAWN BY \_\_\_\_\_  
VERT. CHECKED BY \_\_\_\_\_

\* DATE - TIME \*  
c:\pw\work\dw\ldof\carpent\erd\dms82640\detail1.s.dgn